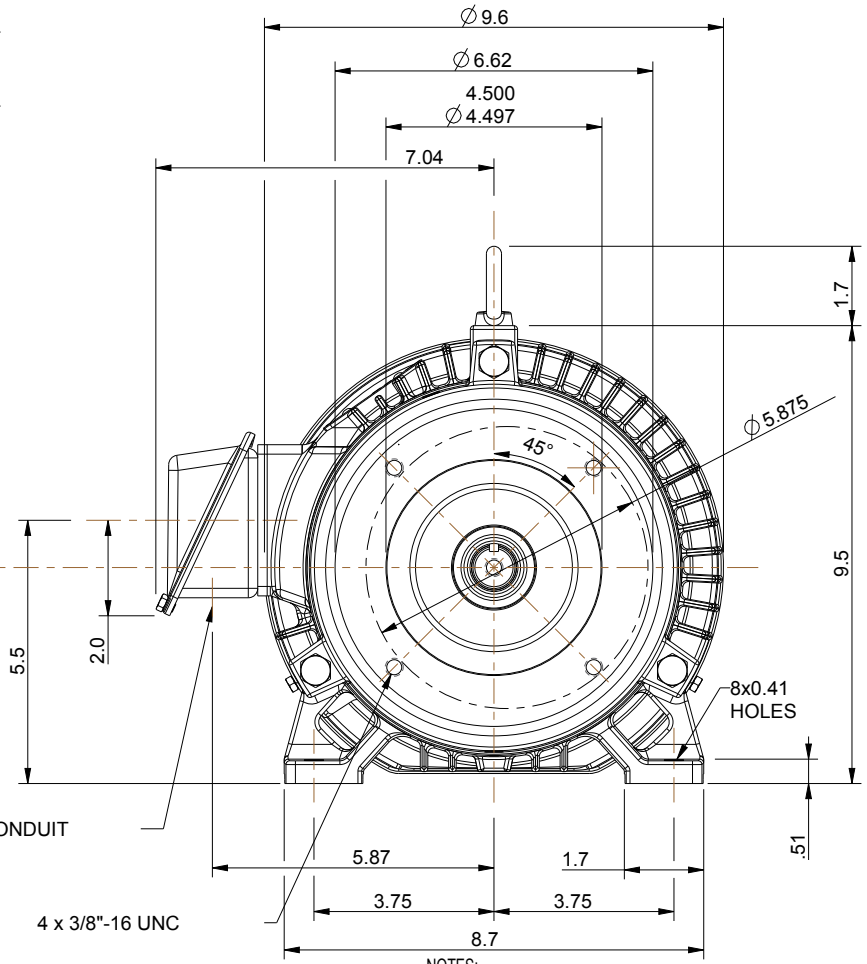
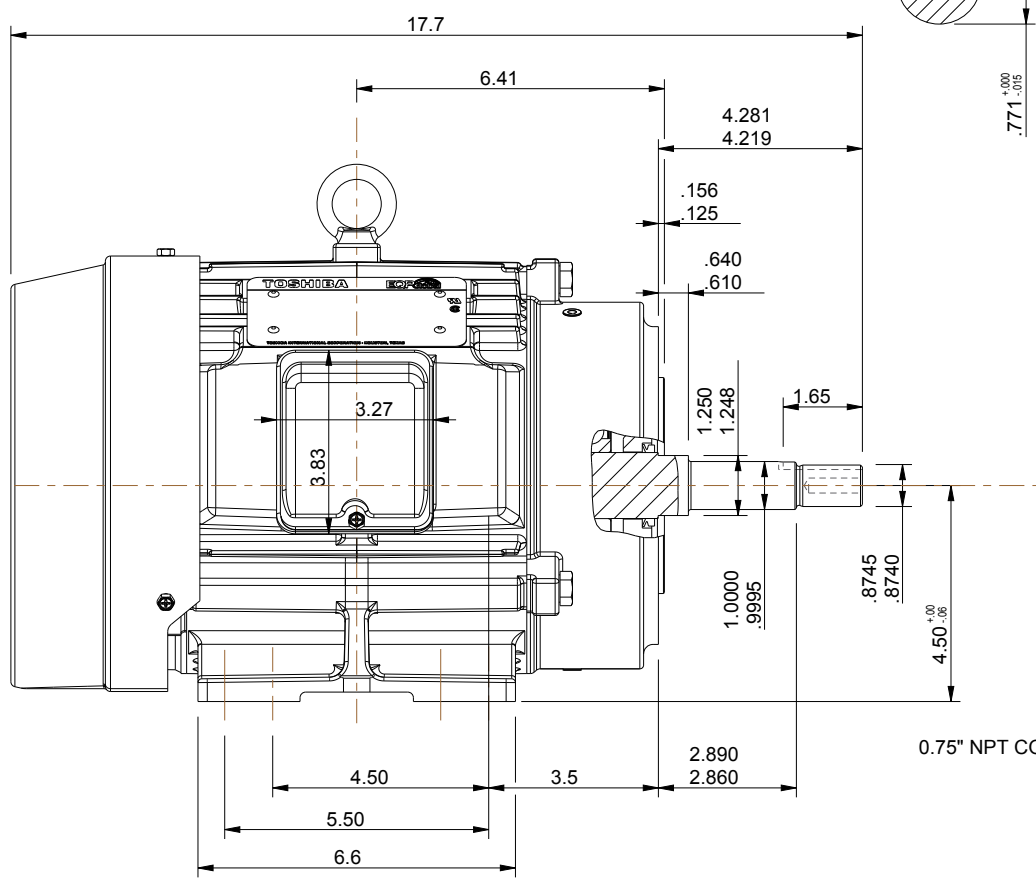
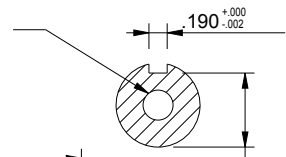


TAP 3/8" - 16 UNC
1.12" DEEP MAX.



NOTES:
 1. MAIN CONDUIT BOX MAY BE ROTATED IN 90° INCREMENTS
 2. STANDARD PRODUCT USE BI-DIRECTIONAL FAN. OPPOSITE ROTATION AVAILABLE ONLY BY CONNECTION CHANGE.
 3. KEY DIMENSIONS EQUAL (MOTOR SUPPLIED WITH KEY)
 0.188" x 0.188" x 1.65"

UNITS: INCHES

TOSHIBA RESERVES THE RIGHT TO MAKE CHANGES OF TECHNICAL IMPROVEMENT WITHOUT NOTICE. DO NOT USE FOR CONSTRUCTION, INSTALLATION, OR APPLICATION PURPOSES UNLESS THE DRAWING IS CERTIFIED.

**180JM TEFC FRAME
F1 ASSEMBLY**

MDSL108-02

TOSHIBA

TOSHIBA INTERNATIONAL CORPORATION

TOLERANCES

| | |
|-------|-------|
| .X | .1 |
| .XX | .03 |
| .XXX | .005 |
| .XXXX | .0005 |

MAXIMUM MOTOR WEIGHT

97 lbs.
44 kgs.

| | | | | |
|----|-----------------------|-----------|----------|------------|
| 1 | CHANGE T-BOX ASSEMBLY | M. O'DOWD | 12/18/13 | J. RUSSELL |
| 0 | FIRST ISSUE | M. O'DOWD | 12/6/13 | J. RUSSELL |
| NO | REVISION | DRAWN BY | DATE | CHECK |



DRAWN BY: M. O'DOWD
 CHECK BY: J. RUSSELL
 APPROVED BY: _____
 www.toshiba.com/ind