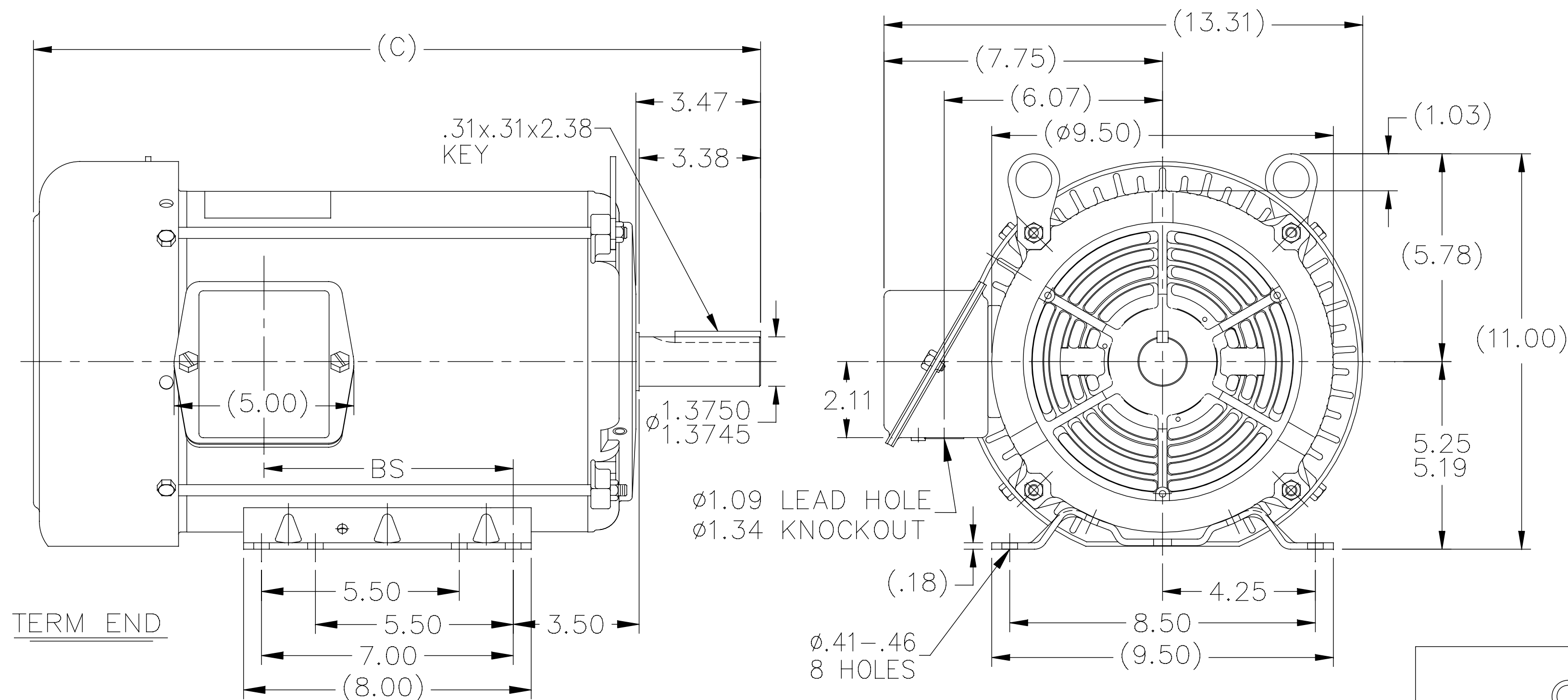
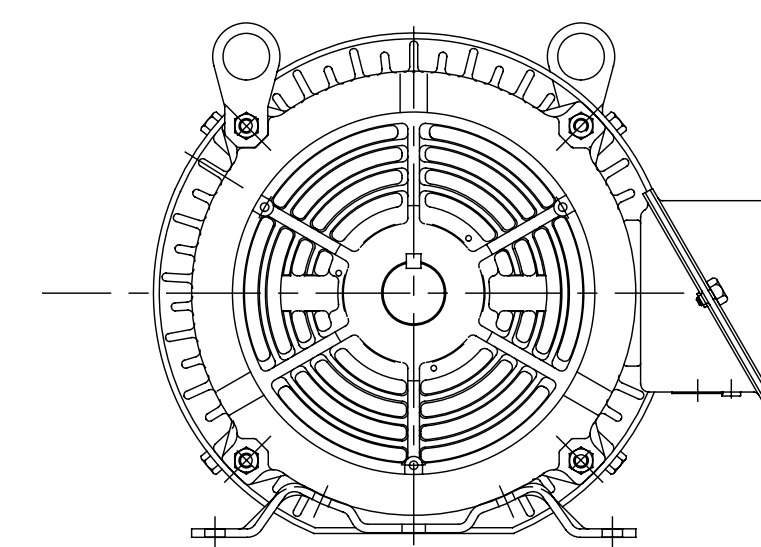


SS88975



TERM END

- NOTES:
1. NAMEPLATE TO BE READ FROM C'BOX SIDE OF MOTOR.
 2. BOX CAN BE MOUNTED IN 90° STEPS.
 3. BOX CAN BE MOUNTED ON OPPOSITE SIDE BY REMOVING BRACKETS AND TURNING FRAME 180°. (EXCEPT AS NOTED.)



F2-VIEW

DASH	FR.	C	BS	MOUNTING
965	213T	18.73	5.43	
1115	213/15T	20.23	6.93	
1240	213/15T	21.48	8.18	F1 ONLY OR F2 ONLY

NO.	REVISION	BY & DATE	CHK	TOLERANCES UNLESS SPECIFIED		REGAL™ Regal Beloit America, Inc.	DRAWN ERH 12-08-2003		
				DEC.	INCHES				
				.X	±.1		CHK ML 12-08-2003		
3	NOTE UPDATED	SAJ 08/24/15	SR	.XX	±.03	TITLE OUTLINE 210T FR.-BB-TS-TEFC-R/S	APPD DR 12-09-2003		
2	TITLE BLOCK LOGO CHANGE PER ECO-0078542	MDV 06/09/2015		.XXX	±.005		SCALE 1=4		
1	REMOVE HOLE AND BOLT SIDE VIEW CN24453	RWR 01/30/2004	ML	.XXXX	±.0005	MAT'L.	REF		
				ANG	±7'30"	FINISH	FMF MU 49283		
			RFP	12-09-2003		CAD FILE ss88975	PREV		
			DIST	LB			SIZE A		
THIS DRAWING IN DESIGN AND DETAIL IS OUR PROPERTY AND MUST NOT BE USED EXCEPT IN CONNECTION WITH OUR WORK ALL RIGHTS OF DESIGN AND INVENTION ARE RESERVED THIS IS AN ELECTRONICALLY GENERATED DOCUMENT - DO NOT SCALE THIS PRINT							DRAWING NO. SS88975	PAGE OF	REV. 3