

DATE
February 18, 2004
CATALOG NO.
DJM0056

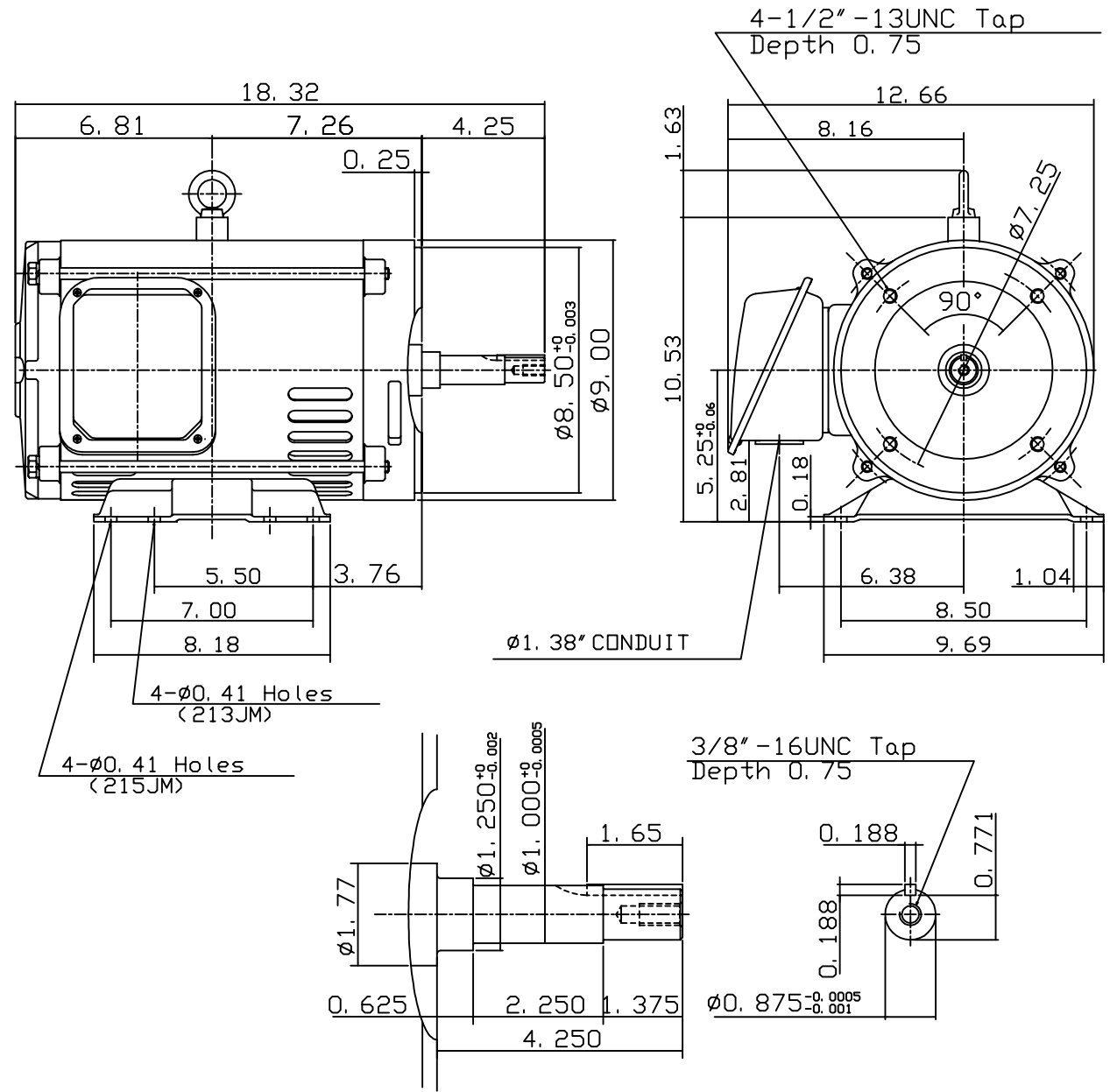
OUTLINE DIMENSIONS
3-PHASE INDUCTION MOTOR

MOTOR TYPE:
ASGAJM
FRAME NO. 215JM

Pole	HP	kW	Hz	VOLT	Syn. Speed r/min(rpm)
6	5	3.75	60	230/460	1200

Ins	Rating	Dimension in	Approx Weight	Bearings
F	CONT.	inches	138 lbs.	DE: 6209ZZC3 NDE: 6206ZZC3

Open Protected Drip-Proof Squirrel Cage Rotor.



◇		
---	--	--

DWN. J. T. HWANG 04-11-03
CHKD. J. S. JEAN 04-11-03
APPD. Y. B. HUANG 04-11-03



DWG NO.
31049U526535