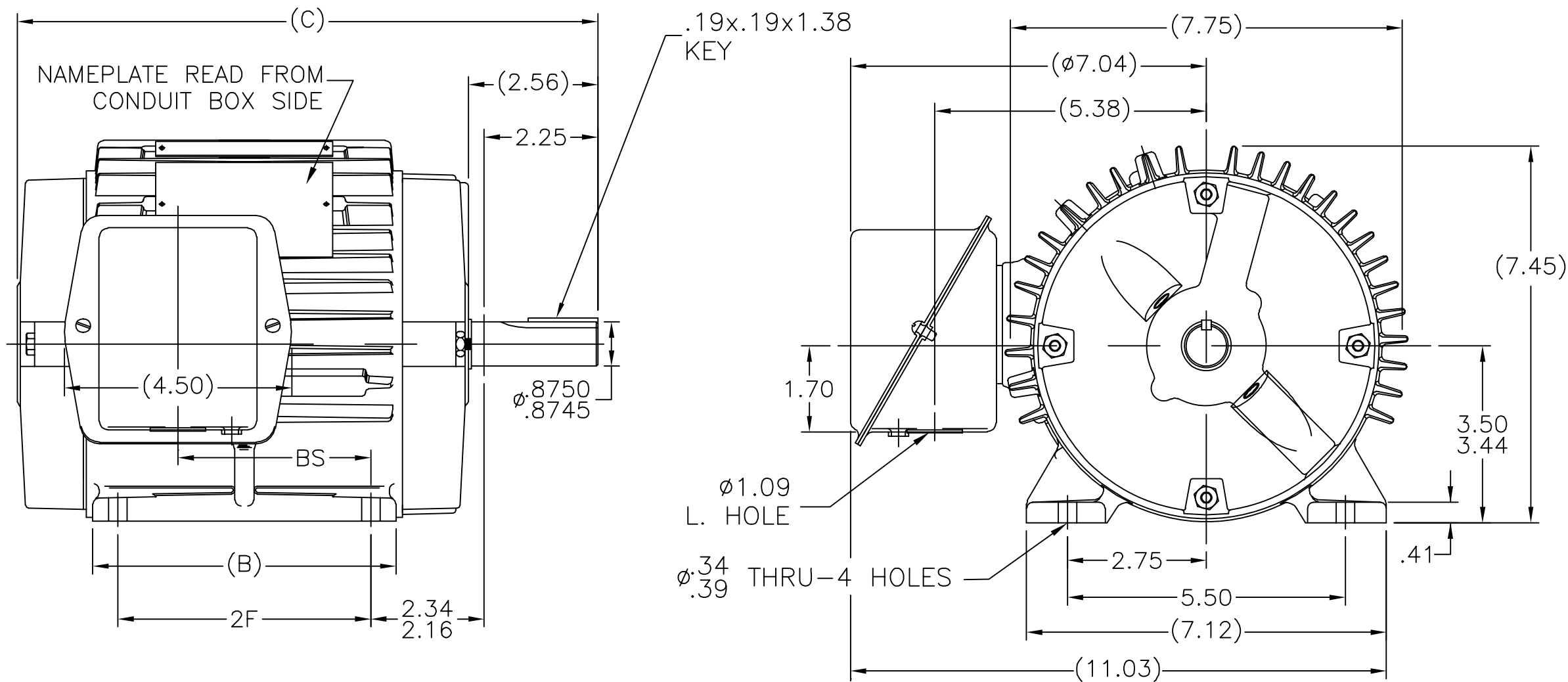
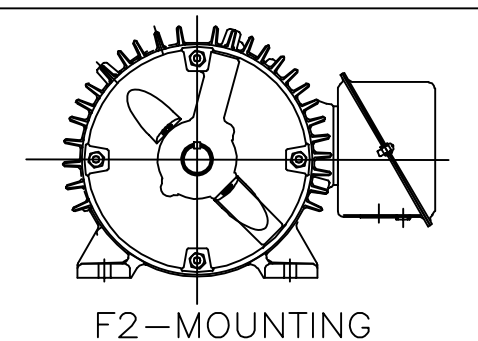


100655



NOTES:

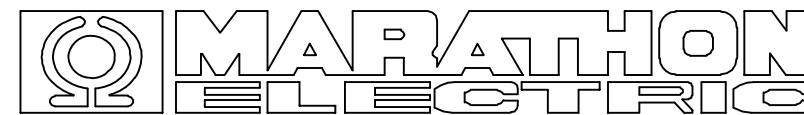
- 1- BOX CAN BE ROTATED IN 90° STEPS.
- 2- BOX CAN BE MOUNTED ON OPPOSITE SIDE BY REMOVING BRACKETS AND TURNING FRAME 180°.
- 3- FRONT GREASE HOLE LOCATIONS SHOWN WITH HIDDEN LINES.



DASH	FR.	B	C	BS	2F
525	143T	5.00	10.43	2.81	4.00
625	145T	6.00	11.43	3.81	5.00

NO.	REVISION	BY & DATE	CHK	ANG	±	FINISH	PREV
10	ADDED F2-MOUNTING	PST 05/05/2014	SM				
9	CORRECTED FOOT MOUNTING DIMENSIONS	DRS 10-13-2005					
8	REDRAWN IN AUTOCAD	TAT 06-29-2004	ML	.X	±.1		
7	BA TOLERANCE CHANGED TO ±.090	CN 27601 CAE 03-12-1999		.XX	±.03		
6	REV. -525 BS DIM. TO 2.81, WAS 3.51	CN 25600-161 BLR 04-22-1998		.XXX	±.005		
5	REF. WAS STANDARD DIM.	CN 23975-2 MH 02-13-1997		.XXXX	±.0005		
			RFP				
			DIST	LB-WP			

THIS DRAWING IN DESIGN AND DETAIL IS OUR PROPERTY AND MUST NOT BE USED EXCEPT IN CONNECTION WITH OUR WORK ALL RIGHTS OF DESIGN AND INVENTION ARE RESERVED THIS IS AN ELECTRONICALLY GENERATED DOCUMENT - DO NOT SCALE THIS PRINT	CAD FILE	100655	SIZE	A	DRAWING NO.	100655	PAGE	OF	REV.
									10



TITLE OUTLINE
140T FR. - BB - TS - TENV

DRAWN	RM 10-27-1992
CHK	ML 10-28-1992
APPD	GK 10-28-1992
SCALE	11=32
REF	
FMF	
PREV	