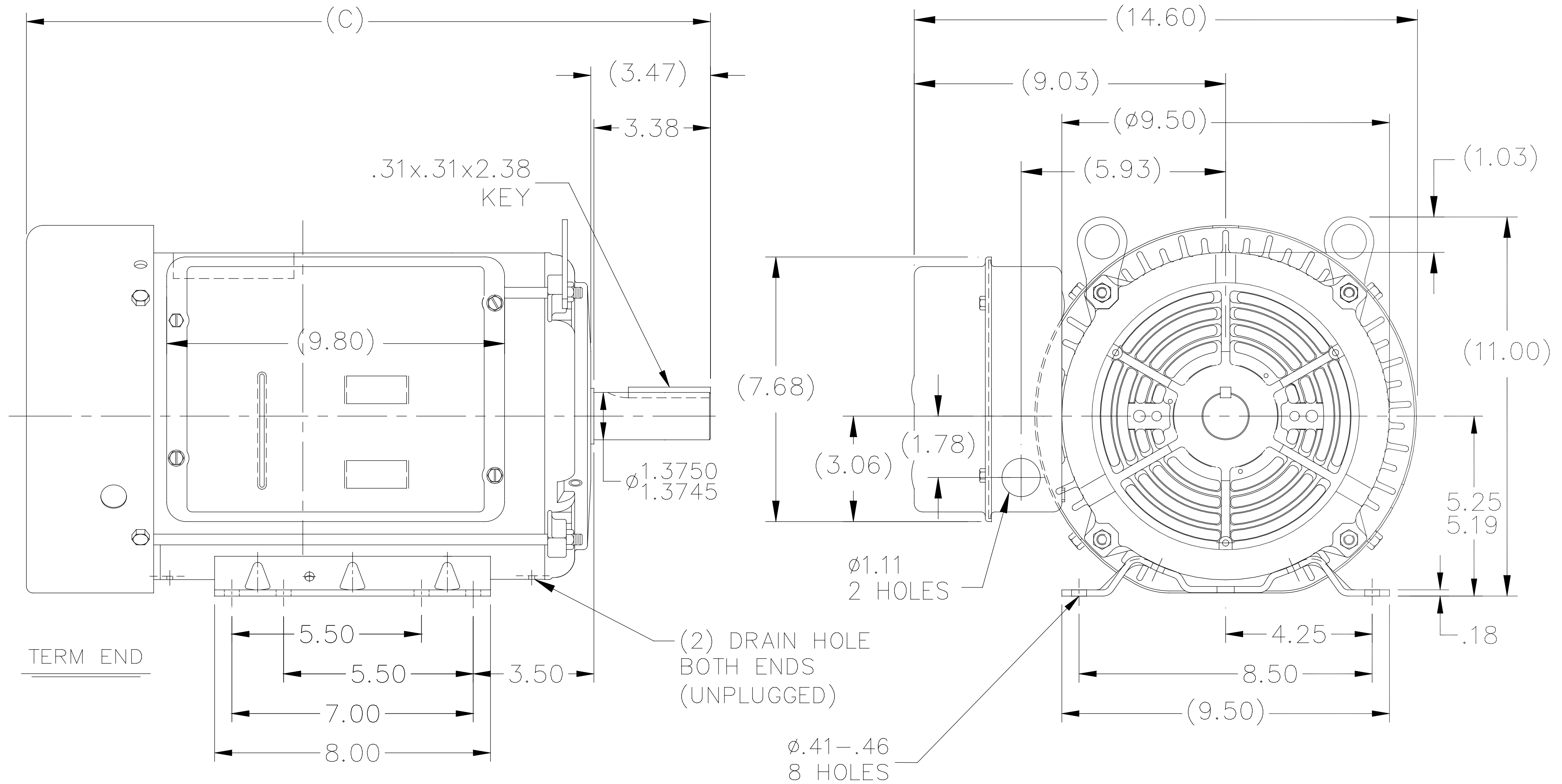


SS86562



DASH	FRAME	C
965	213T	18.73
1115	213/215T	20.23
1240	215T	21.48

NOTES:

1. NAMEPLATE TO BE READ FROM C'BOX SIDE OF MOTOR.

NO.	REVISION	BY & DATE	CHK	ANG	±7'30"	FINISH	PREV
7	DRAIN HOLES ADDED	KIR 02/09/16	SS	TOLERANCES UNLESS SPECIFIED			DRAWN SLJ 09-01-1994
6	UPDATED DRAWING	TJW 04-27-2007		DEC.	INCHES		CHK SMC 09-02-1994
5	REDRAWN IN AUTOCAD	TAT 06-13-2005	ML	.X	±.1		APPD DRN 09-02-1994
4	REMOVED 2 ADD'L ø1.38 C'BOX HOLES CN 26624	MRB 07-16-1998		.XX	±.03		SCALE 7=32
3	ADDED ADD'L ø1.38 HOLES TO C'BOX CN 26000-304	MJD 04-19-1998		.XXX	±.005		REF
2	UPDATED BASE & C'BOX TO LATEST VERSION	MH 04-14-1997		.XXXX	±.0005	MAT'L.	FMF
THIS DRAWING IN DESIGN AND DETAIL IS OUR PROPERTY AND MUST NOT BE USED EXCEPT IN CONNECTION WITH OUR WORK ALL RIGHTS OF DESIGN AND INVENTION ARE RESERVED THIS IS AN ELECTRONICALLY GENERATED DOCUMENT - DO NOT SCALE THIS PRINT						RFP	
						DIST LB	
						CAD FILE ss86562	
						SIZE A	DRAWING NO. SS86562
							PAGE OF 7
							REV. 7



TITLE OUTLINE
210T FR. - BB - TS - TEFC 1ø