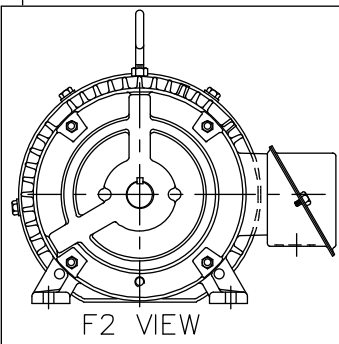
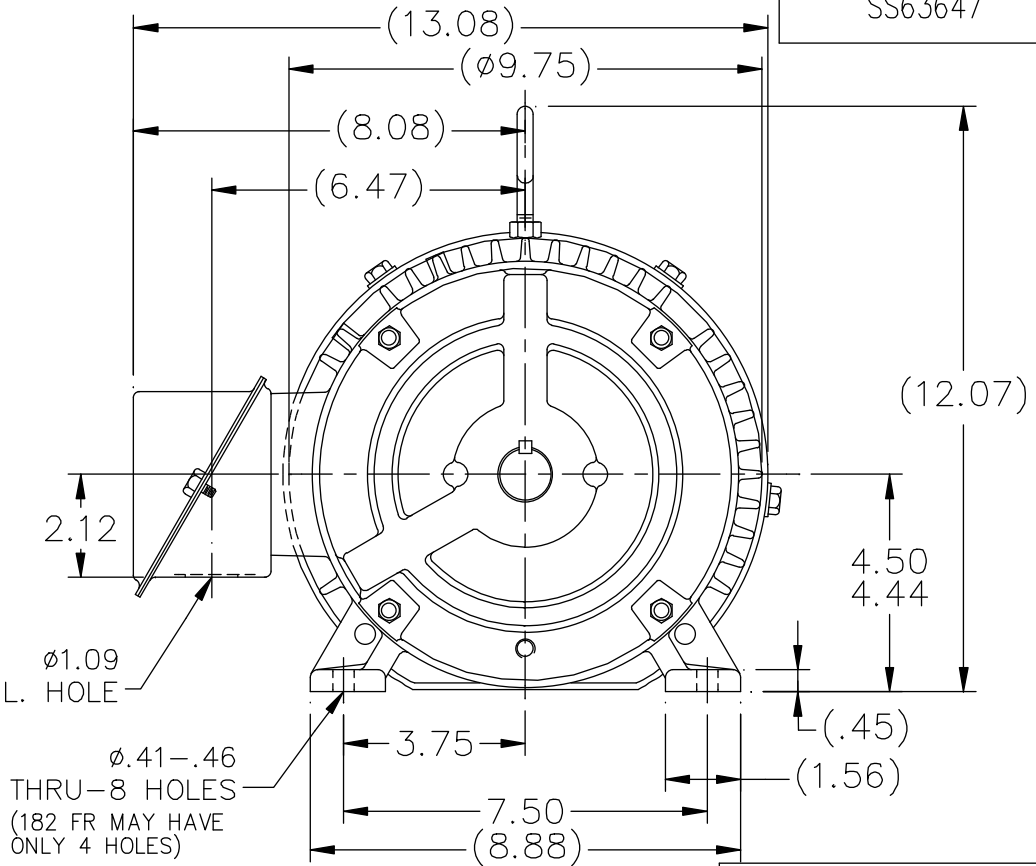
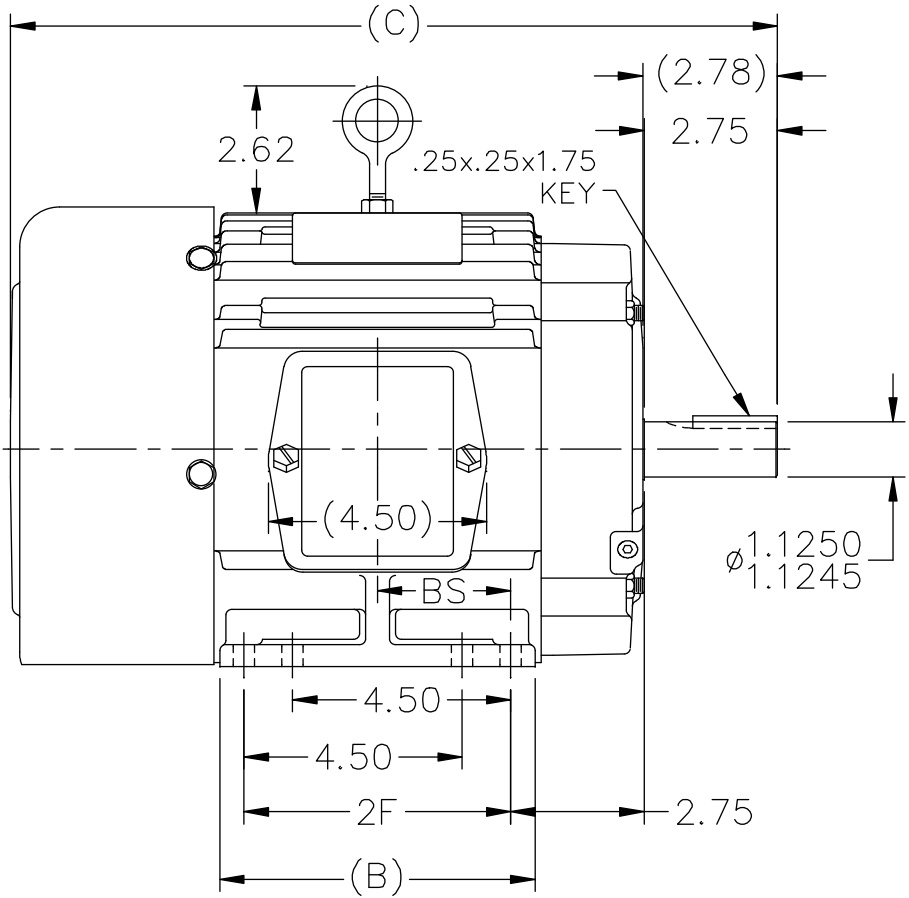


SS63647



- NOTES:
1. CONDUIT BOX CAN BE ROTATED IN 90° STEPS.
  2. CONDUIT BOX CAN BE MOUNTED ON OPPOSITE SIDE BY REMOVING BRACKETS AND TURNING FRAME 180°
  3. NAMEPLATE TO BE READ FROM CONDUIT BOX SIDE OF MOTOR

DASH	FR.	C	B	2F	BS	MOUNTING
575	182T	14.81	5.50	4.50	2.25	F1 OR F2
675	182/4T	15.81	6.50	5.50	2.75	F1 OR F2
800	182/4T	17.06	7.75	5.50	3.38	F1 ONLY

NO.	REVISION	BY & DATE	CHK	ANG	±7'30"
11	ADDED F2 VIEW	HLB			
10	REVISED DASH 575 WAS F1 ONLY CN 29200-90	CAV 01-31-2000			
9	ADDED 4 EXTRA FOOT HOLES	MRB 07-02-1998			
8	REVISED SHAFT HEIGHT CN 16763	BRH 03-18-1996			
7	REDRAWN ON CADD	SMC 04-20-1993			

TOLERANCES UNLESS SPECIFIED	
DEC.	INCHES
.X	±.1
.XX	±.03
.XXX	±.005
.XXXX	±.0005



TITLE OUTLINE  
180T FR. - BB - TS - TEFC

MAT'L.

FINISH

DRAWN	SMC 04-07-1993
CHK	ML 04-12-1993
APPD	GK 04-19-1993
SCALE	1=4
REF	
FMF	
PREV	

THIS DRAWING IN DESIGN AND DETAIL IS OUR PROPERTY AND MUST NOT BE USED EXCEPT IN CONNECTION WITH OUR WORK ALL RIGHTS OF DESIGN AND INVENTION ARE RESERVED THIS IS AN ELECTRONICALLY GENERATED DOCUMENT - DO NOT SCALE THIS PRINT

RFP	CAD FILE ss63647
DIST LB	

SIZE	DRAWING NO.	PAGE	OF	REV.
A	SS63647			11