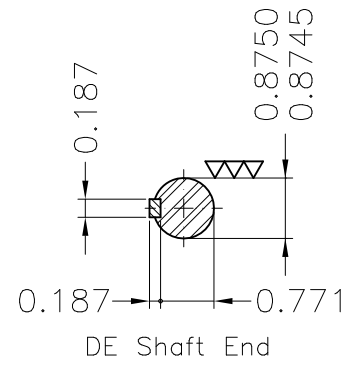
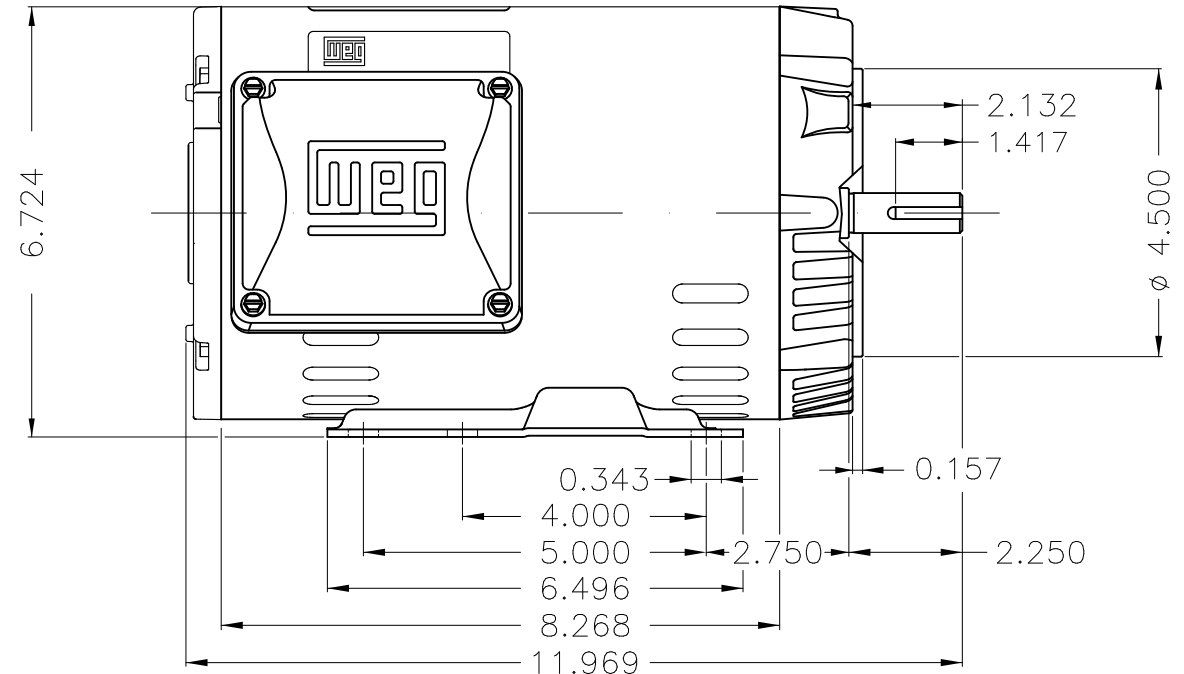
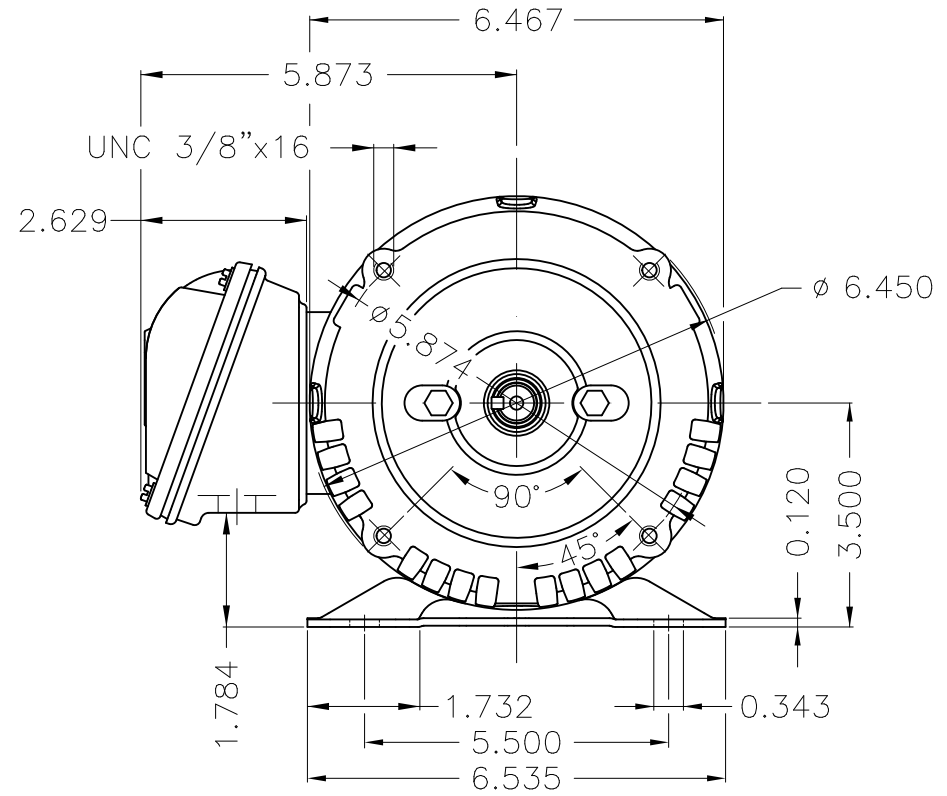
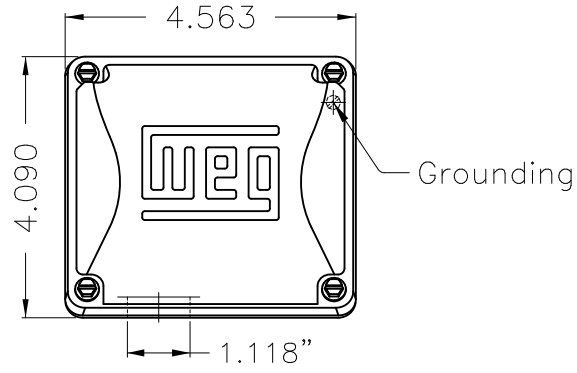


Dimensões em polegada  
Dimensions in inches

THIS IS AN UPDATED REVISION, THE  
PREVIOUS ONE MUST BE DISREGARDED.



Color Munsell N 1 matte black  
Painting plan 207N  
Mounting F-1/B34R(D)

| ECM      | LOC        | SUMMARY OF MODIFICATIONS                | EXECUTED            | CHECKED | RELEASED | DATE | VER |
|----------|------------|---|---------------------|---------|----------|------|-----|
| EXECUTED | USERADMIN  | THREE PHASE ODP ROLLED STEEL NEMA PREM. |                     |         |          |      |     |
| CHECKED  |            | FRAME 143/5TC ODP                       |                     |         |          |      |     |
| RELEASED |            | WEG code: 12674627                      |                     |         |          |      |     |
| REL DT   | 24.07.2017 | WMO Jaragua do Sul                      | Product Engineering | SHEET   | 1 / 1    |      |     |

2 HP 02 Poles 60Hz

A

