

# Product Information Packet

November 8, 2016

Data shown is for the current revision model #. Ensure your nameplate model # matches.

<b>Model Number:</b>	<b>5KS143STE109A</b>
<b>Catalog Number:</b>	<b>M7701</b>
<b>Instruction Manual:</b>	GEI-M1031
<b>Connection Diagram:</b>	GEM2034E-FIG203
<b>Outline Drawing:</b>	358B6269AA

<b>Accessory Connection Diagrams</b>			
<b>Bearing Thermocouple:</b>	None	<b>Heater:</b>	None
<b>RTD:</b>	None	<b>Thermistor:</b>	None
<b>Thermostat:</b>	None	<b>Winding Thermocouple:</b>	None
<b>Bearing RTD:</b>	None		

<b>Table of Contents</b>	
Specification	01
Performance Characteristics	02
Outline Drawing	03
Connection Drawing(s)	04

**Marks:**

<b>MODEL NUMBER:</b>	<b>5KS143STE109A</b>	<b>Estimated Weight:</b>	66 Lbs
<b>Outline Drawing:</b>	358B6269AA	<b>Time Rating:</b>	CONT
<b>Connection Diagram:</b>	GEM2034E-FIG203	<b>Enclosure:</b>	TEFC
<b>Instruction Book:</b>	GEI-M1031	<b>Encl Construction:</b>	SD
<b>Design Code:</b>	14AD0012A	<b>Ambient Max(°C):</b>	40
<b>Type:</b>	KS	<b>Alt Ambient Max(°C):</b>	--
<b>Frame:</b>	143T	<b>Insulation Class:</b>	F
<b>Phases:</b>	3	<b>NEMA Design:</b>	B
<b>Poles:</b>	2	<b>Nominal Efficiency:</b>	84.0 %
<b>Output Power:</b>	1.5HP 1.1KW	<b>Guaranteed Efficiency:</b>	81.5
<b>RPM:</b>	3515	<b>3/4 Load Efficiency:</b>	87.8
<b>Voltage:</b>	230/460	<b>KVA Code:</b>	M
<b>Hertz:</b>	60	<b>Max KVAR:</b>	0.5
<b>Amps - FL:</b>	3.8/1.9	<b>Power Factor:</b>	87.5
<b>Service Factor:</b>	1.15	<b>Bearing - DE:</b>	6205ZZC3
<b>Alt Service Factor:</b>	--	<b>Bearing - ODE:</b>	6205ZZC3

**Enclosure is Totally Enclosed Fan-Cooled**

**Stamped Nameplate Notes:**

USABLE AT 200V @ 1.5 HP, 4.0 AMPS @ 1.0 SF

LRA: 39.6/19.8

50HZ DATA: 1.0 HP,200/400V, 3.4/1.7 AMPS @ 1.15 SF

50HZ DATA: 1.5HP, 200/400V,4.4/2.2 AMPS @ 1.00 SF

GREASE TYPE: SHELL ALVANIA R3 LITHIUM GREASE

**Additional Information:**

CONDUIT BOX MATERIAL: CAST IRON

SUITABLE FOR USE IN CLASS I DIVISION 2 LOCATIONS

CLASS I DIVISION 2 GROUPS A,B,C,D T3C

CLASS I ZONE 2 IIC T3C



**Performance Characteristics**

1st Winding 1st Connection

**Design: 14AD0012A**

**Marks:**

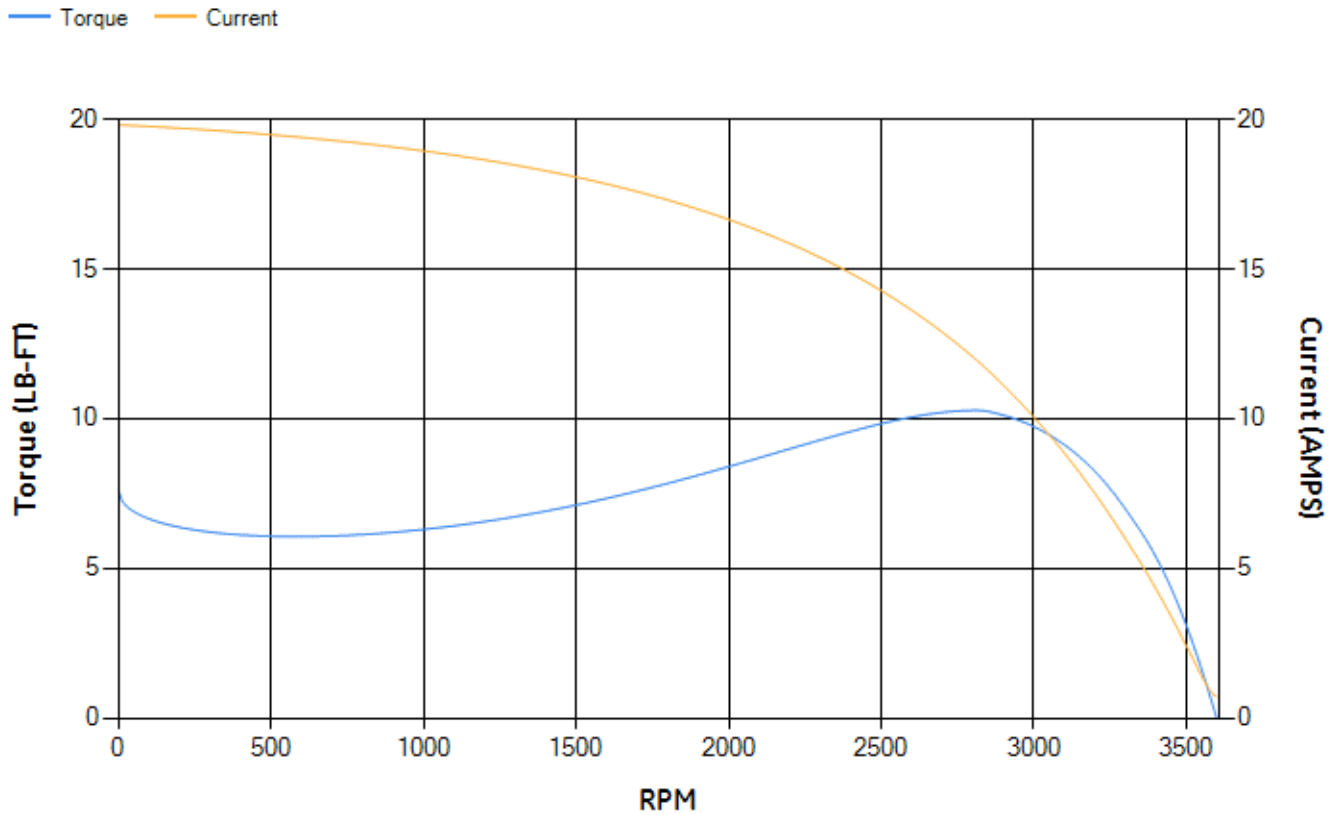
LOAD %	125.0	115.0	100.0	75.0	50.0	25.0	0.0
% EFF	86.54	87.01	87.74	87.8	86.48	79.97	0.00
% PF	90.29	89.5	87.85	83.07	73.19	51.74	10.92
AMPS	2.25	2.07	1.82	1.44	1.11	0.85	0.71

TORQ(FL)#FT	2.24	TORQ(LR)%FL	339.75	TORQ(BD)%FL	444.01
AMPS(LR)	19.82	PF AT START	0.63		

This motor is capable of two cold or one hot start with a maximum connected load inertia of 11 Lb-Ft Sq (0.46 Kg-meter Sq) at 100% voltage, where the load torque varies with the square of the speed. Acceleration time with maximum inertia and the above load type is 19 seconds. Safe stall time at 100% voltage is 45 seconds cold, 34 seconds hot. Rotor inertia is 0.05 Lb-Ft Sq (0 Kg-meter Sq).

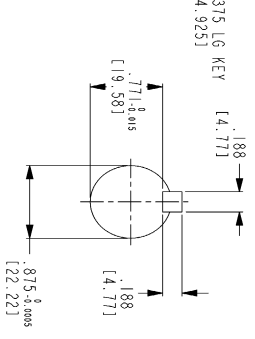
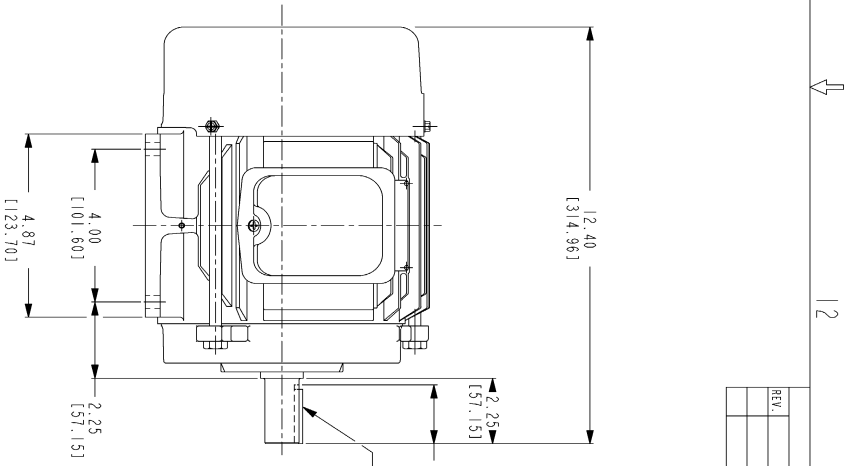
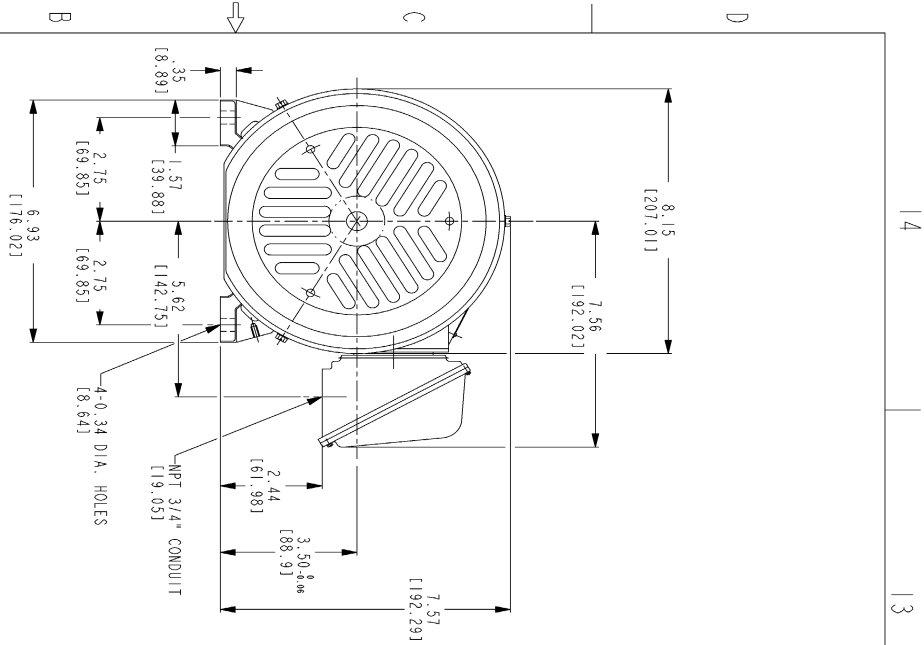
Open Circuit A-C:	0.28	Short Circuit D-C:	0.004
Short Circuit A-C:	0.007	X/R Ratio:	1.602
Stator Slots:	24	Rotor Slots:	28

**Speed Torque Current Curve (First Connection, First Speed)**

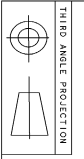


NAME:501291659 OBJECT:358B6269AA DATE:31-Dec-07 11:31:44

Marks:



- NOTES:
1. DIMENSIONS ARE IN INCHES.
  2. F-1 ASM AS SHOWN.
  3. F-2 ASM - HAS CONDUIT BOX ON OPPOSITE SIDE.
  4. BRACKETED DIMENSIONS ARE METRIC (MILLIMETERS)
  5. ICA11, IP94, IMB34 APPLY.



THIRD ANGLE PROJECTION

Part must conform to SI 900000 Sect 4, Toxicity Procedure

FOR ADDITIONAL INFO REFER TO:	SIGNATURES	DATE
REFLECTED DIMENSIONS ON: INCHES	MOELLER	
UNLESS OTHERWISE SPECIFIED DIMENSIONS ARE IN INCHES	SQUINTA	12/26/07
1. ALL DIMENSIONS ±	SANJAY	12/26/07
2. ALL DIMENSIONS ±	R. KOHLE	12/26/07
3. ALL DIMENSIONS ±		
4. ALL DIMENSIONS ±		
5. ALL DIMENSIONS ±		
6. ALL DIMENSIONS ±		
7. ALL DIMENSIONS ±		
8. ALL DIMENSIONS ±		
9. ALL DIMENSIONS ±		
10. ALL DIMENSIONS ±		
11. ALL DIMENSIONS ±		
12. ALL DIMENSIONS ±		
13. ALL DIMENSIONS ±		
14. ALL DIMENSIONS ±		
15. ALL DIMENSIONS ±		
16. ALL DIMENSIONS ±		
17. ALL DIMENSIONS ±		
18. ALL DIMENSIONS ±		
19. ALL DIMENSIONS ±		
20. ALL DIMENSIONS ±		
21. ALL DIMENSIONS ±		
22. ALL DIMENSIONS ±		
23. ALL DIMENSIONS ±		
24. ALL DIMENSIONS ±		
25. ALL DIMENSIONS ±		
26. ALL DIMENSIONS ±		
27. ALL DIMENSIONS ±		
28. ALL DIMENSIONS ±		
29. ALL DIMENSIONS ±		
30. ALL DIMENSIONS ±		
31. ALL DIMENSIONS ±		
32. ALL DIMENSIONS ±		
33. ALL DIMENSIONS ±		
34. ALL DIMENSIONS ±		
35. ALL DIMENSIONS ±		
36. ALL DIMENSIONS ±		
37. ALL DIMENSIONS ±		
38. ALL DIMENSIONS ±		
39. ALL DIMENSIONS ±		
40. ALL DIMENSIONS ±		
41. ALL DIMENSIONS ±		
42. ALL DIMENSIONS ±		
43. ALL DIMENSIONS ±		
44. ALL DIMENSIONS ±		
45. ALL DIMENSIONS ±		
46. ALL DIMENSIONS ±		
47. ALL DIMENSIONS ±		
48. ALL DIMENSIONS ±		
49. ALL DIMENSIONS ±		
50. ALL DIMENSIONS ±		
51. ALL DIMENSIONS ±		
52. ALL DIMENSIONS ±		
53. ALL DIMENSIONS ±		
54. ALL DIMENSIONS ±		
55. ALL DIMENSIONS ±		
56. ALL DIMENSIONS ±		
57. ALL DIMENSIONS ±		
58. ALL DIMENSIONS ±		
59. ALL DIMENSIONS ±		
60. ALL DIMENSIONS ±		
61. ALL DIMENSIONS ±		
62. ALL DIMENSIONS ±		
63. ALL DIMENSIONS ±		
64. ALL DIMENSIONS ±		
65. ALL DIMENSIONS ±		
66. ALL DIMENSIONS ±		
67. ALL DIMENSIONS ±		
68. ALL DIMENSIONS ±		
69. ALL DIMENSIONS ±		
70. ALL DIMENSIONS ±		
71. ALL DIMENSIONS ±		
72. ALL DIMENSIONS ±		
73. ALL DIMENSIONS ±		
74. ALL DIMENSIONS ±		
75. ALL DIMENSIONS ±		
76. ALL DIMENSIONS ±		
77. ALL DIMENSIONS ±		
78. ALL DIMENSIONS ±		
79. ALL DIMENSIONS ±		
80. ALL DIMENSIONS ±		
81. ALL DIMENSIONS ±		
82. ALL DIMENSIONS ±		
83. ALL DIMENSIONS ±		
84. ALL DIMENSIONS ±		
85. ALL DIMENSIONS ±		
86. ALL DIMENSIONS ±		
87. ALL DIMENSIONS ±		
88. ALL DIMENSIONS ±		
89. ALL DIMENSIONS ±		
90. ALL DIMENSIONS ±		
91. ALL DIMENSIONS ±		
92. ALL DIMENSIONS ±		
93. ALL DIMENSIONS ±		
94. ALL DIMENSIONS ±		
95. ALL DIMENSIONS ±		
96. ALL DIMENSIONS ±		
97. ALL DIMENSIONS ±		
98. ALL DIMENSIONS ±		
99. ALL DIMENSIONS ±		
100. ALL DIMENSIONS ±		

GE Consumer & Industrial GENERAL ELECTRIC COMPANY

OUTLINE

FTD - 143T TERC CE MARK

471 CU IN CONDUIT BOX

358B6269AA

REV 0

SCALE: C

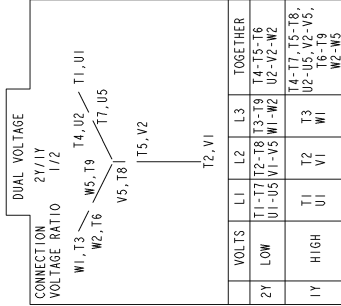
SHEET 1 OF 1

REV.	DESCRIPTION	DATE	APPROVED

STANDARD NO. 358B6269AA REV 0 SHEET 1

Marks:

**Connection Diagram**  
**GEM2034E-FIG203**



NAME: 500903578 OBJECT: GEM2034E-FIG203 DATE: 03-Nov-06 13:53:10