

Product Information Packet

March 24, 2017

Data shown is for the current revision model #. Ensure your nameplate model # matches.

Model Number:	5KS184CAA104C
Catalog Number:	E9612
Instruction Manual:	GEI-56128
Connection Diagram:	GEM2034E-FIG1
Outline Drawing:	4002B5818RAP5201

Accessory Connection Diagrams			
Bearing Thermocouple:	None	Heater:	None
RTD:	None	Thermistor:	None
Thermostat:	3027JE-2A	Winding Thermocouple:	None
Bearing RTD:	None		

Table of Contents

Specification	01
Performance Characteristics	02
Outline Drawing	03
Connection Drawing(s)	04
Spare parts	05



Marks:

MODEL NUMBER:	5KS184CAA104C	Estimated Weight:	101 Lbs
Outline Drawing:	4002B5818RAP5201	Time Rating:	CONT
Connection Diagram:	GEM2034E-FIG1	Enclosure:	TEFC
Instruction Book:	GEI-56128	Encl Construction:	XP
Design Code:	18BD0087B	Ambient Max(°C):	40
Type:	KS	Alt Ambient Max(°C):	--
Frame:	184T	Insulation Class:	F
Phases:	3	NEMA Design:	B
Poles:	2	Nominal Efficiency:	88.5 %
Output Power:	5HP 3.7KW	Guaranteed Efficiency:	86.5
RPM:	3520	3/4 Load Efficiency:	88.6
Voltage:	575	KVA Code:	J
Hertz:	60	Max KVAR:	1.8
Amps - FL:	5.2	Power Factor:	81.0
Service Factor:	1.00	Bearing - DE:	6206ZC3
Alt Service Factor:	--	Bearing - ODE:	6206ZC3

Enclosure is Totally Enclosed Fan-Cooled

Stamped Nameplate Notes:

EXPLOSION PROOF MOTOR
 TEMP CODE T3C
 THERMOSTAT LEADS TB1-TB2
 STAMP NP249A5571AC "CL I (C & D) CL II (F & G)"

Additional Information:

2P - T EXTN
 STANDARD FLOOR MOUNT
 C/BOX 26 CU IN-0.75 NPT
 F1 CONDUIT BOX MOUNTING
 AUX LEADS EXIT WITH MOTOR LEADS
 CL I C & D CL II F & G EXPLOSION PROOF MOTOR

Performance Characteristics

1st Winding 1st Connection

Design: 18BD0087B

Marks:

LOAD %	125.0	115.0	100.0	75.0	50.0	25.0	0.0
% EFF	87.35	87.82	88.56	88.64	87.41	81.25	0.00
% PF	83.41	82.62	84.49	75.42	64.5	43.16	9.22
AMPS	6.42	5.93	5	4.2	3.32	2.67	2.05

TORQ(FL)#FT 7.46
 AMPS(LR) 31.7

TORQ(LR)%FL 190.71
 PF AT START 0.41

TORQ(BD)%FL 305.51

This motor is capable of two cold or one hot start with a maximum connected load inertia of 38 Lb-Ft Sq (1.6 Kg-meter Sq)at 100% voltage, where the load torque varies with the square of the speed. Acceleration time with maximum inertia and the above load type is 36 seconds. Safe stall time at 100% voltage is 80 seconds cold, 53 seconds hot. Rotor inertia is 0.14 Lb-Ft Sq (0.01 Kg-meter Sq).

Open Circuit A-C: 0.277

Short Circuit D-C: 0.01

Short Circuit A-C: 0.016

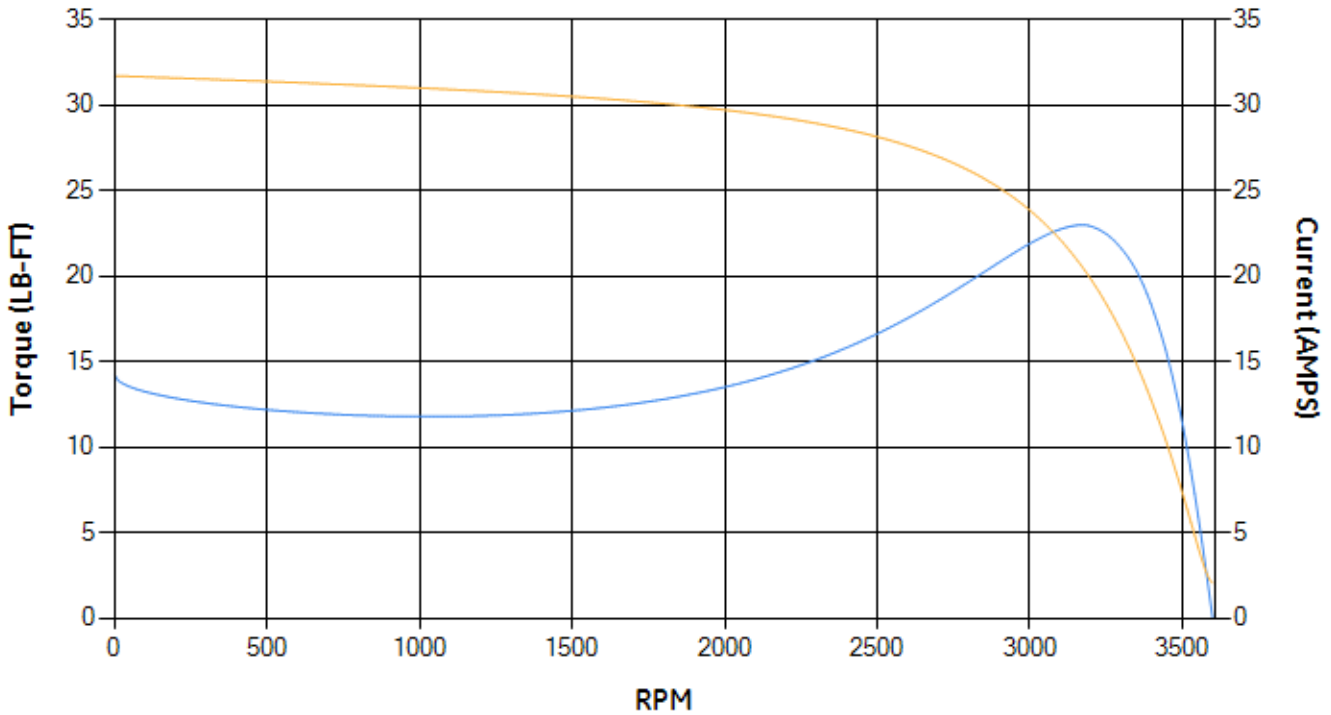
X/R Ratio: 3.675

Stator Slots: 36

Rotor Slots: 28

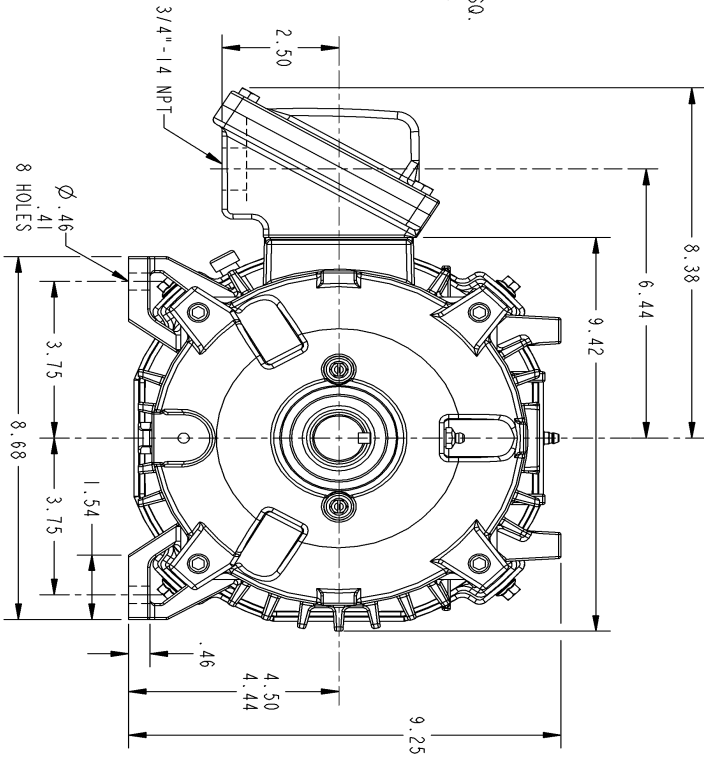
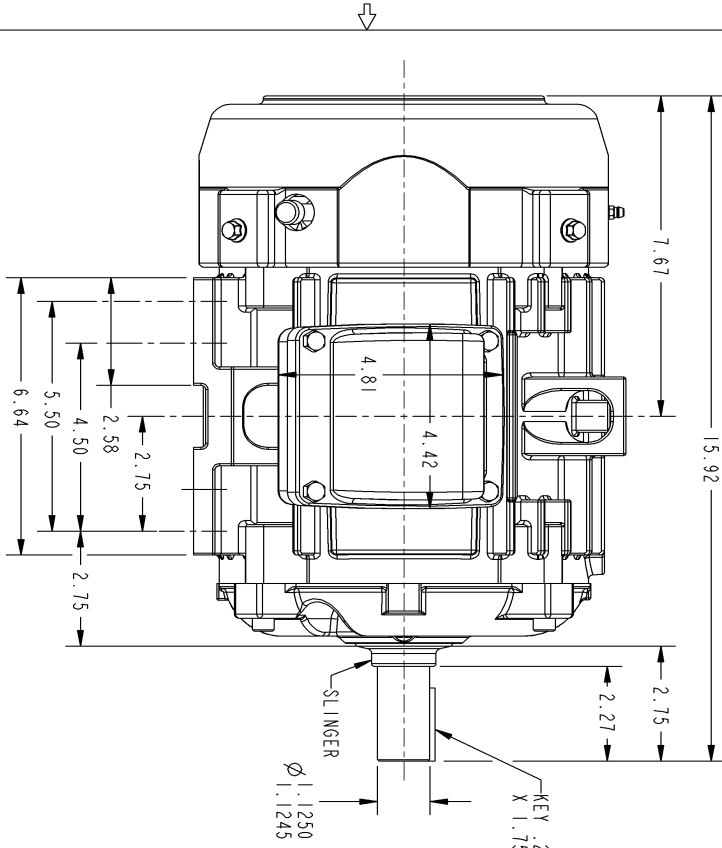
Speed Torque Current Curve (First Connection, First Speed)

— Torque — Current



Marks:

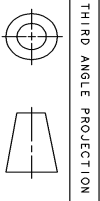
NOTE 1: CONDUIT BOX MAY BE ASSEMBLED WITH ENTRANCE UP, DOWN OR TO EITHER SIDE.
 NOTE 2: F1 ASSEMBLY AS SHOWN. F2 ASSEMBLY CONDUIT BOX ON OPPOSITE SIDE FROM SHOWN LOCATION.



SIZE 0
 4002B5818RAP5201

SM 0
 REV

REVISIONS			
REV.	DESCRIPTION	DATE	APPROVED



SIGNATURES	DATE	GE Logo	GENERAL ELECTRIC COMPANY
DRWN: GARY WARRNER	APR 24/02	Systems	Fort Wayne, Indiana
CHEK: GARY WARRNER	MAY 01/02		
ENGR: GARY WARRNER	MAY 02/02		
ISSUED: GARY WARRNER	MAY 02/02		
APPLIED PRACTICES			
SIZE: DRAWING	B		
SCALE: 0.400	REF. NO: 4002B5818RAP5201		
			SHEET 1 OF 1

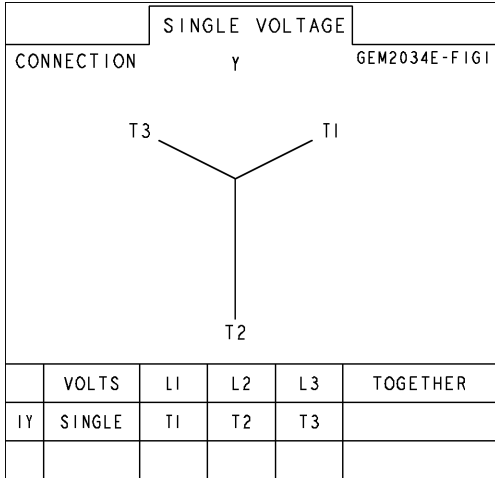
INDUCTION MOTOR OUTLINE
 STANDARD CONSTRUCTION
 FME: FR180T FCXP XSD ULTRA

4002B5818RAP5201 REV 0

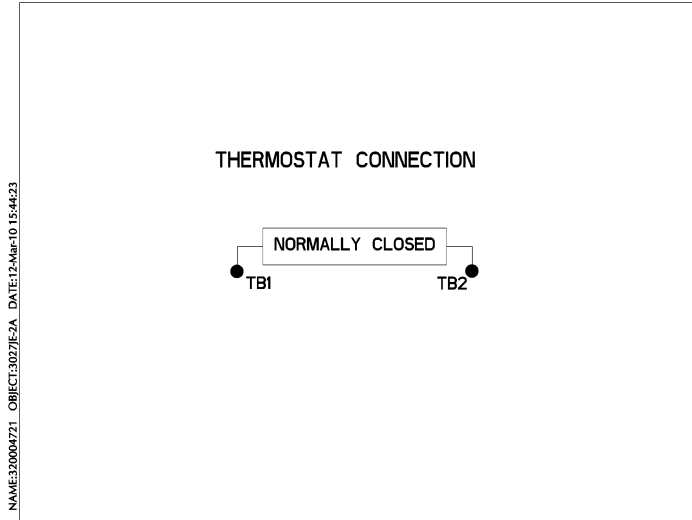
DISTRIBUTION: PMP-18K15

Marks:

Connection Diagram
GEM2034E-FIG1



Thermostat Connection
3027JE-2A



End shield Assembly		
Part Description	DE Side Part#	ODE Side Part#
End Shield	4004D5271PA1	4004D5271SA1
Bearing		
Slinger/Inproseal		

Fan & Fan Cover Assembly	
Part Description	Part#
Fan	346L620AP-G01
Fan Cover	

Conduit & Accessories Box Assembly	
Part Description	Part#
Conduit Box	4002B5718RA-G01

Mechanical Accessories	
Part Description	Part#
Brake	
Tachometer	