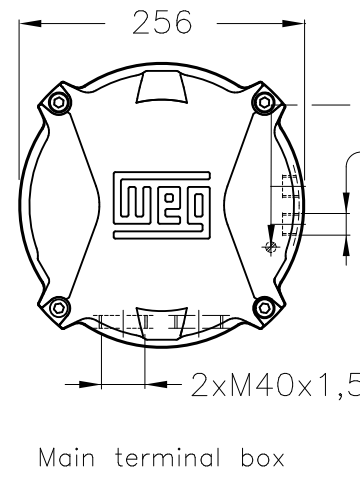
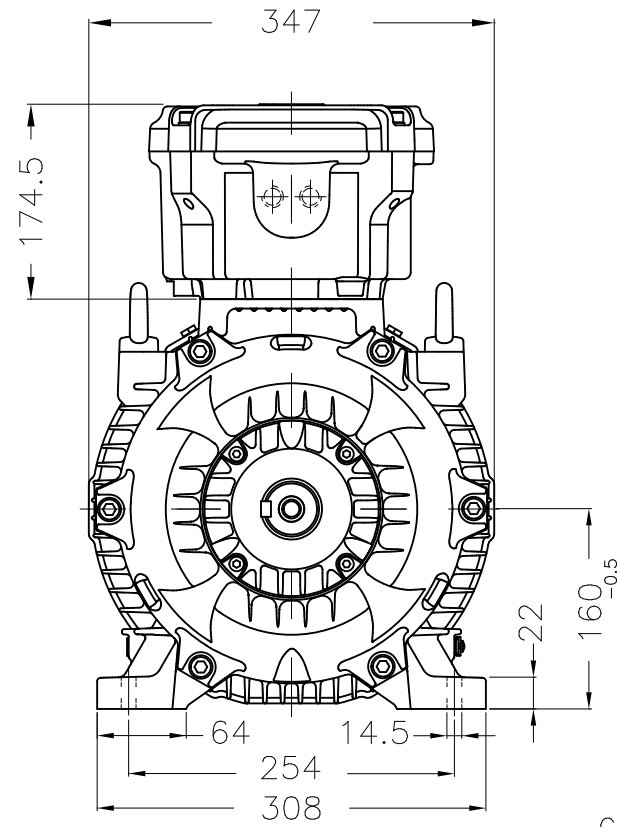
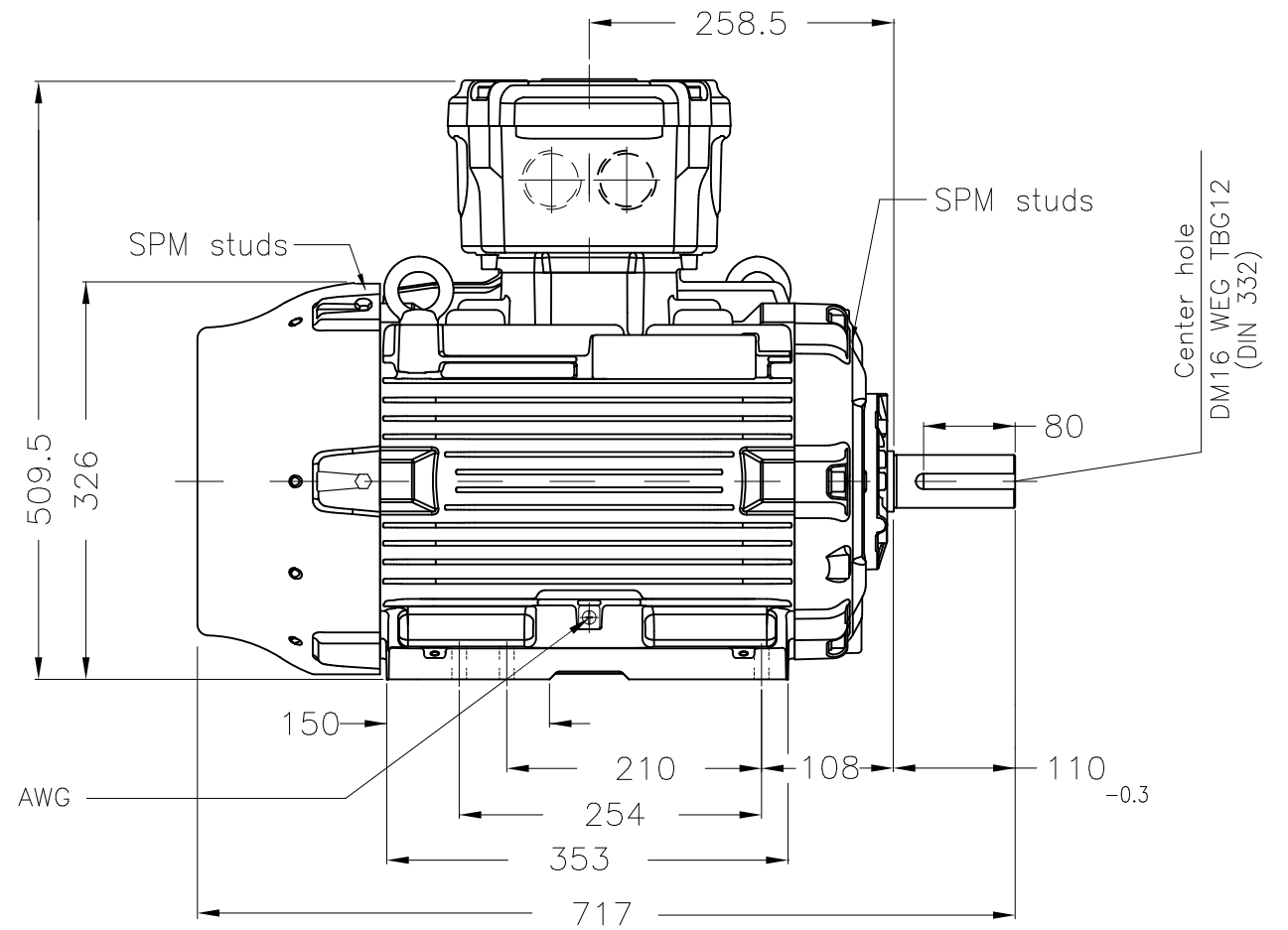


Dimensões em mm
Dimensions in mm

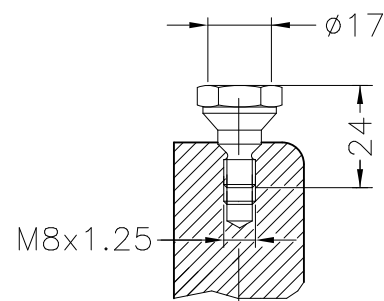
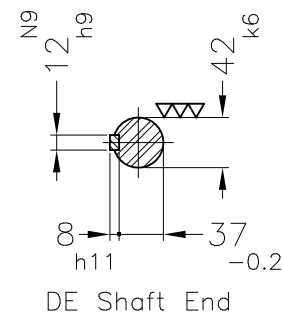
THIS IS AN UPDATED REVISION, THE PREVIOUS ONE MUST BE DISREGARDED.



Grounding for leads 5.2–25 mm² / 10–4 AWG
2xM20x1,5



Grounding for leads 5.2–25 mm² / 10–4 AWG



Vibration sensor studs detail

SPM studs						
Color RAL 5009						
Painting plan 205P						
Mounting B3T						

ECM	LOC	SUMMARY OF MODIFICATIONS			EXECUTED	CHECKED	RELEASED	DATE	VER
EXECUTED	USERADMIN		THREE PHASE MOTOR W22 EX-D ARP						
CHECKED			FRAME 160M/L IP56 TEFC						
RELEASED			WEG code: 13218082						
REL DT	24.07.2017	WMO	Jaragua do Sul	Product Engineering	SHEET	1 / 1			

11 kW 02 Poles 50 Hz

