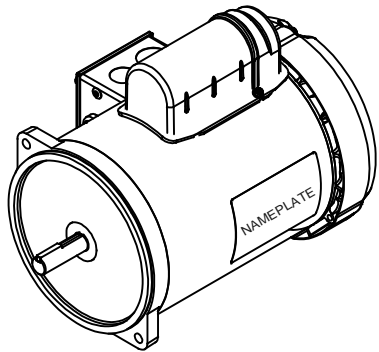
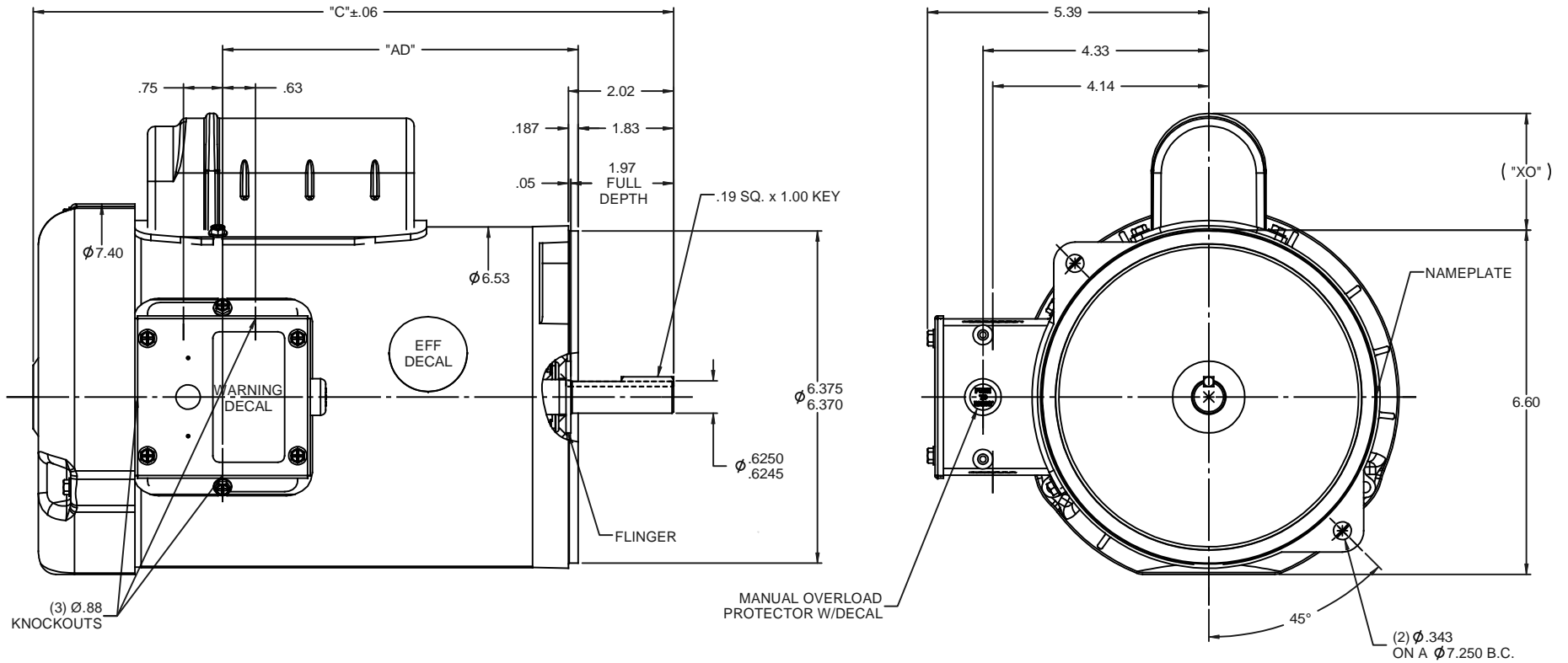


RBC PROPRIETARY AND CONFIDENTIAL INFORMATION
 This document is the property of REGAL BELOIT CORPORATION ("RBC") including its subsidiaries and divisions and contains proprietary information of RBC. This document is loaned on the express condition that neither it nor the information contained therein shall be disclosed to others without the express written consent of RBC, and that the information shall be used by the recipient only as approved expressly by RBC. This document shall be returned to RBC upon its request. This document may be subject to certain restrictions under U.S. export control laws and regulations.



DASH NO.	"C"	"AD"	CAP DASH	"XO"
700	11.77	6.32	A	1.61
750	12.27	6.82	B	2.08
800	12.77	7.32	C	2.32
850	13.27	7.82		

NOTE:
 1) GASKETS THROUGHOUT

REVISION		BY & DATE	CHK	ANG	±1/2"	FINISH STANDARD	DRAWING NO		REV	
			RFP	12/05/08	PREV		SIZE	B		
			NETWORK FILE NAME				DRAWING NO		028912	

TOLERANCES UNLESS SPECIFIED	DEC	INCHES		ELECTRIC MOTORS GEARMOTORS AND DRIVES	DRAWN	GRB 12/05/08	
x	±.1				CHK	DJ 12/05/08	
.xx	±.03	TITLE			OUTLINE - 56 FRAME	APPR	DJ 12/05/08
.xxx	±.005				AUGER MOTOR	SCALE	1:2
.xxxX	±.0005	MATL		REF	033797		
NO				FMF	113906.00		
PAGE 1 OF 1							