

GENERAL INFORMATION:

SHAFT RUNOUT: .001 [.025] T.I.R. PER INCH LENGTH OF EXTENSION

END PLAY: .010 TO .063 [.254 TO 1.600]

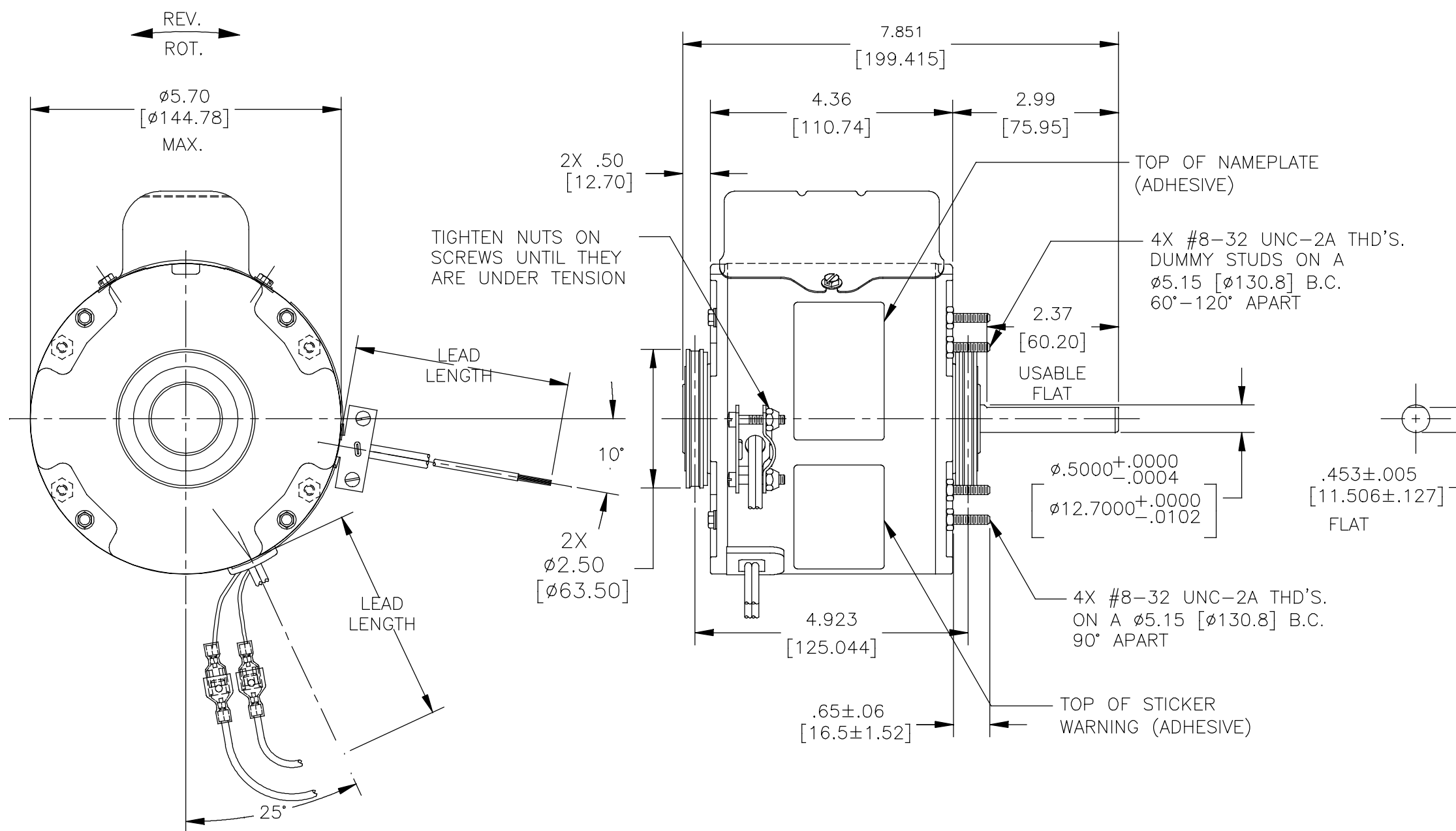
BEARINGS: SLEEVE

MOUNTING POSITION: HORIZONTAL

ELECTRICAL DATA:

OVERLOAD PROTECTOR: AUTOMATIC RESET (SENDATA 7AM 036)

LEADS: NO. 18 GA., .03 [.76] THK. XLP 125°C INSUL.



NOTES:

- MOTOR SHIPPED CONNECTED FOR CCWLE ROTATION.
- (1) MOUNTING BASE 368C181H15
(2) CLAMP ASSEMBLIES 165A674A01 TO BE SHIPPED SEPARTELY IN EACH CARTON WITH MOTOR.

REGAL-BELOIT CORPORATION (RBC) PROVIDES TECHNICAL ASSISTANCE TO OUR CUSTOMERS IN SEVERAL AREAS. SINCE RBC DOES NOT RECEIVE ALL DATA CONCERNING THE USE AND APPLICATION OF THE MOTOR, THE SUITABILITY OF THE MOTOR FOR THE APPLICATION MUST BE DETERMINED BY THE CUSTOMER.

DIMENSIONS WITHOUT TOLERANCES ARE FOR REFERENCE ONLY.

MAIN FRAME - OLE	ENCLOSED
END FRAME - OLE	ENCLOSED
MAIN FRAME - LE	ENCLOSED
END FRAME - LE	ENCLOSED

CUSTOMER	DISTRIBUTION SERVICE
----------	----------------------

NAMEPLATE DATA:	EXTERNAL CONNECTION DIAGRAM
MODEL NO.: F48D71Z01 CUST. P/N: US1026 HP: 1/4 ROT.: REVERSIBLE RPM: 1075 TYPE: UF FRAME: 48Y VOLTS: 115 PH: 1 AMPS: 4.9 HZ: 60 INS.: B AMB.: 40° C DUTY: AIR OVER CAP.: 5 MFD/370 V ENCL: ENCLOSED UL LOGO CSA LOGO THERMALLY PROTECTED	<p>SEP. CAP.</p> <p>BROWN</p> <p>BRN/WHT</p> <p>YELLOW</p> <p>BLACK</p> <p>LINE</p> <p>BLUE</p> <p>PURPLE</p> <p>RED</p> <p>ORANGE</p> <p>SHOWN FOR CCWLE ROT. FOR CWLE INTERCHANGE PUR. & ORN. LEADS</p>

614131-124

COLOR	LENGTH	TERMINAL OR STRIP LENGTH
BLUE	5.0/7.0 [127/178]	.50 [12.7] SKIN
PURPLE	5.0/7.0 [127/178]	.50 [12.7] SKIN
ORANGE	5.0/7.0 [127/178]	.50 [12.7] SKIN
RED	5.0/7.0 [127/178]	.50 [12.7] SKIN
BROWN	CONNECTED TO CAPACITOR	.25 [6.4] FLAG
BROWN/WHITE	CONNECTED TO CAPACITOR	.25 [6.4] FLAG
YELLOW	58.0/62.0 [1473/1575]	.60 [15.2] SKIN
BLACK	58.0/62.0 [1473/1575]	.60 [15.2] SKIN

PERFORMANCE CURVE NO.	TORQUE @ 1075 RPM (25°C)	APPROVED SAMPLE	UL COMPONENT		CSA	
			FILE #	CCN #	FILE #	CLASS #
C30977	27.0 OZ. FT.	93AC103A	E46412	PRGY2	LR43341	4211-01

DRAWING REVISION	REVISION BY	DATE
C	LISA.ZHU	03-26-2018
ECO	APPROVED BY	DATE
ECO-0139361	CADDIE.ZHOU	03-26-2018

ECO DESCRIPTION
SEE ECO

COPYRIGHT REGAL-BELOIT AMERICA, INC. ALL RIGHTS RESERVED. PROPRIETARY AND CONFIDENTIAL INFORMATION - THIS DOCUMENT IS THE PROPERTY OF REGAL-BELOIT AMERICA, INC. (OWNER) AND CONTAINS OWNER'S PROPRIETARY INFORMATION. ANY PERSON, CORPORATION OR OTHER FIRM RECEIVING IT IS DEEMED, BY RECEIVING IT, TO AGREE THAT IT, AND/OR ANY PART OF IT, SHALL NOT BE DISCLOSED TO ANY PERSON, CORPORATION OR OTHER ENTITY, DUPLICATED, AND/OR USED, EXCEPT AS EXPRESSLY APPROVED IN WRITING IN ADVANCE BY OWNER. THIS DOCUMENT SHALL BE RETURNED TO OWNER UPON REQUEST. IT MAY BE SUBJECT TO CERTAIN RESTRICTIONS UNDER APPLICABLE EXPORT CONTROL LAWS AND REGULATIONS.

DRAWN BY:	DATE:
J.CHAH	06-16-2016
APPROVED BY:	DATE:
C.ZHANG	06-16-2016
PROCESS/FINISH	DATE:
THIRD ANGLE PROJECTION	SIZE
	C

REGAL™ Regal Beloit America, Inc.	
DESCRIPTION	MODEL-RFHP-48FR OUTLINE
MATERIAL	
SIZE	DWG NO
C	US1026
SHEET	1