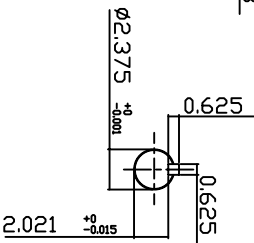
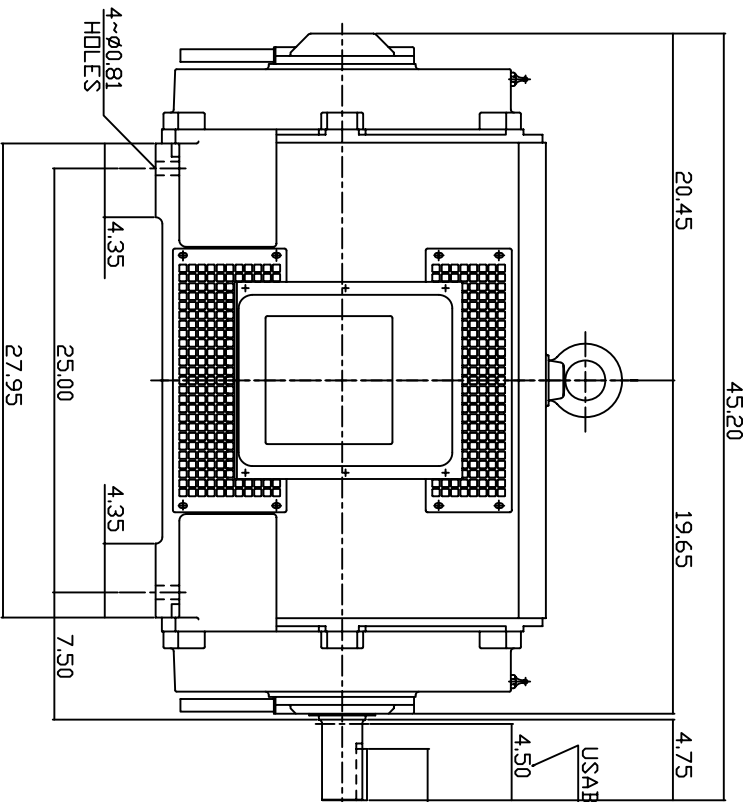
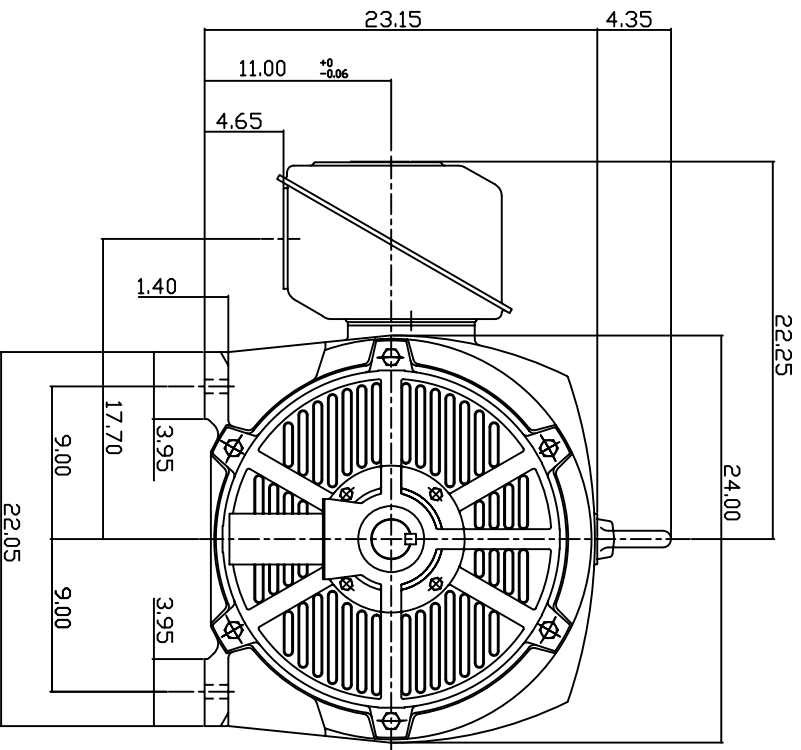


TYPE	OUTPUT		POLE	TIME RATING CDNT.	VOLTAGE V	HZ	SYN.SPEED R.P.M
	HP.	K.W.					
ASHH	400	298	2		460	60	3600

DRIP PROOF TYPE, SQUIRREL-CAGE ROTOR



USABLE SHAFT LENGTH



NOTE:

1. DIMENSIONS IN INCH.
2. FRAME NO. 449TS
3. F CLASS INSULATION, S.F. 1.15
4. FOR DIRECT FLEXIBLE COUPLING
5. BEARING SIZE: DRIVE END: 6315C3
NON-DRIVE END: 6315C3
6. MOTOR APPROX. WEIGHT: 1760 LBS

TB-56SC

D/W.N.	V.L.LIN	MAR. 26. 2003
CHKD.	V.L.LIN	MAR. 26. 2003
APPD.	C.WANG	MAR. 26. 2003

DATE	OUTLINE DIMENSIONS
February 24, 2007	3-PHASE INDUCTION MOTOR
CATALOG NO. DHP4002	

TEC Westinghouse
 DWG NO. 3A040T264
 REV: 00