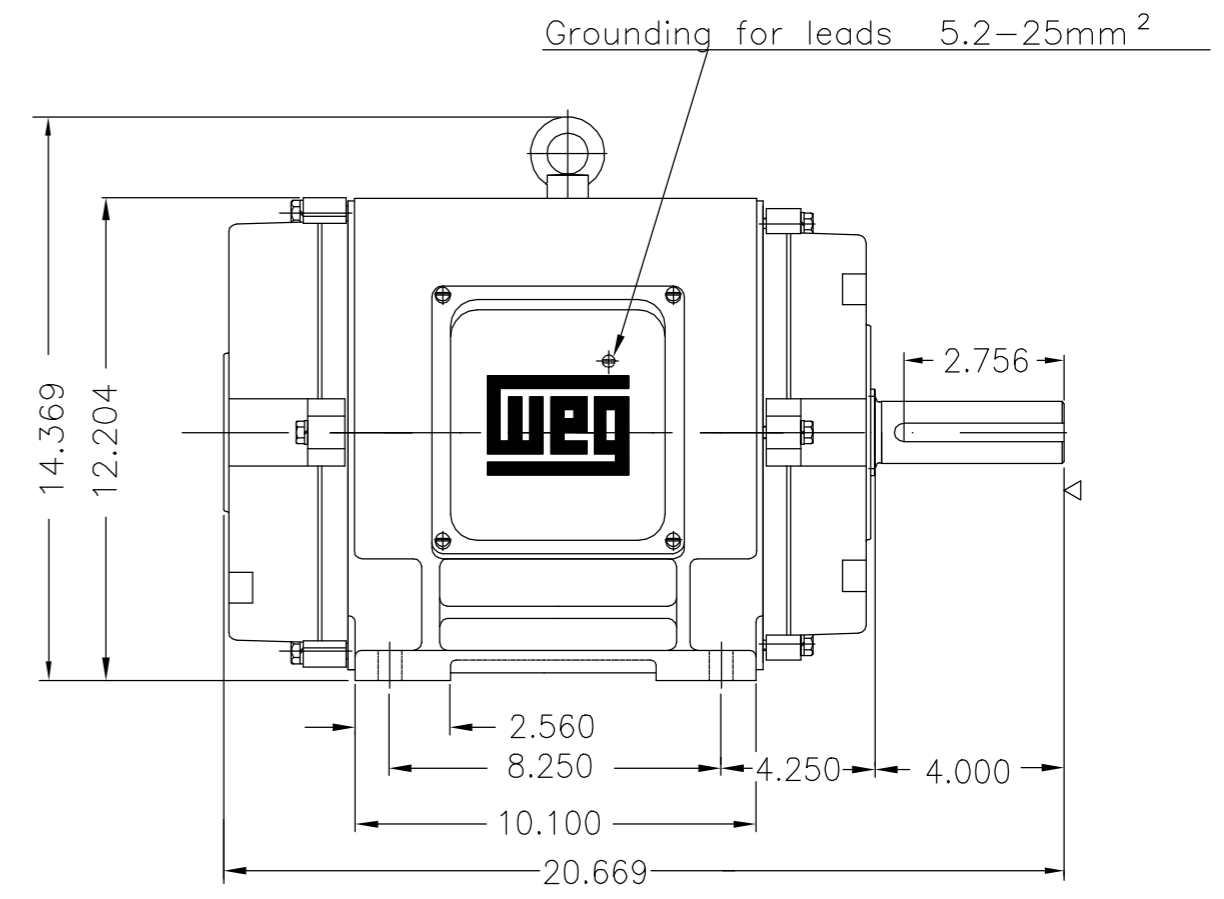
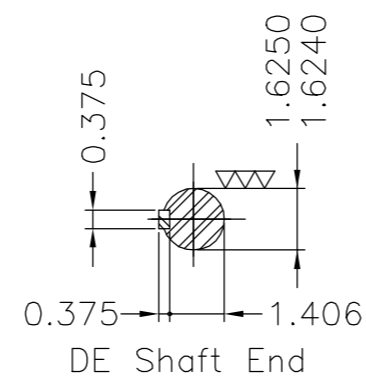
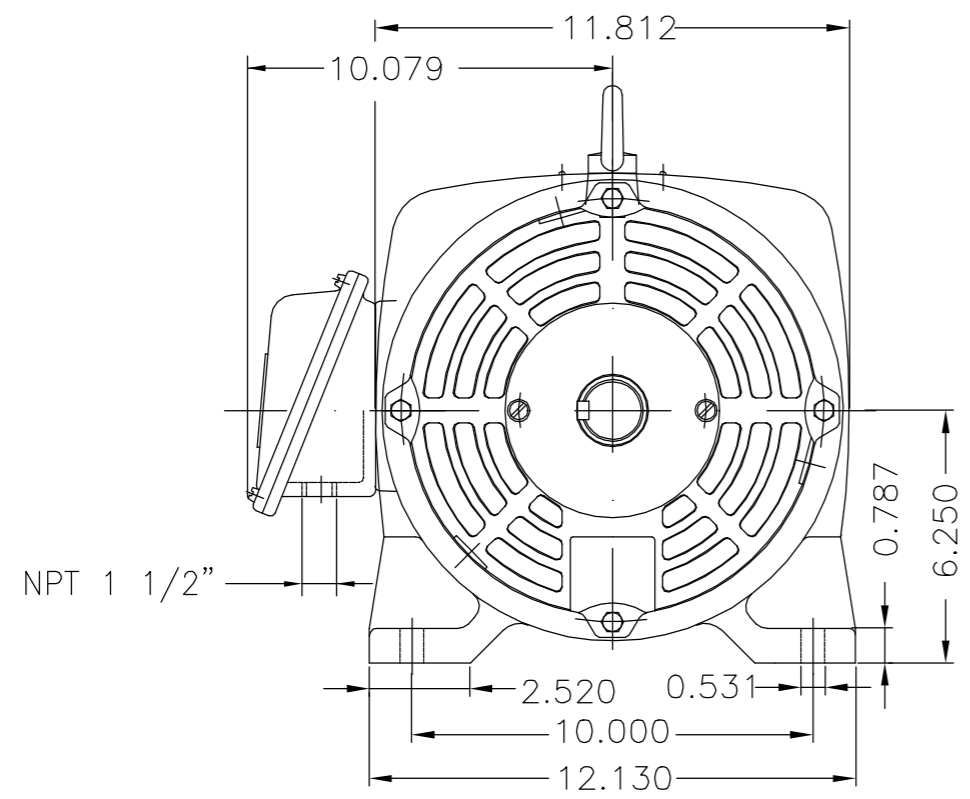


No reproduction of this drawing is allowed without written permission of WEG Motores

EIXO	
PADRÃO	X
OPCIONAL	
ESPECIAL	

Dimensões em polegada
Dimensions in inch

THIS IS AN UPDATED REVISION, THE PREVIOUS ONE MUST BE DISREGARDED.



Conectado em 230 V / Connected to the 230 V
 Pintar motor após montagem / Paint motor after assembly
 Cabos de ligação numerados com etiqueta / Leads are labeled
 Cabos de ligação sem terminais / Connection leads without terminals
 Plano de pintura 203A / Painting plan 203A
 Forma construtiva B3D / Mounting B3R(D)

WEG ELECTRIC CORPORATION - WEC

404943088-MEC.	
500001212226	Eliminado nota parafuso organometálico
500000704970	ALT. CONFORME CLAIM 412702961
ECM	LOC

MENSOR	ODORIZZI	22.08.2016	04	
CAMILAH	ANDERSONLB	24.01.2013	03	
EXECUTED	CHECKED	RELEASED	DATE	VER
AMACEDO				
ERIC				
12.08.2010	WMO	JARAGUÁ DO SUL	ENGENHARIA DE PRODUTO	
THREE PHASE NEMA P. EFF MOTOR		10000933602		
FRAME 254T IP23		000 04		
SHEET			1 / 1	

20 HP	02 Poles	60Hz			B
15 HP	04 Poles	60Hz	404536482/0 MEC	P/N 015180T3ECD254T	A

UNCONTROLLED COPY
RELEASED
ZME A3