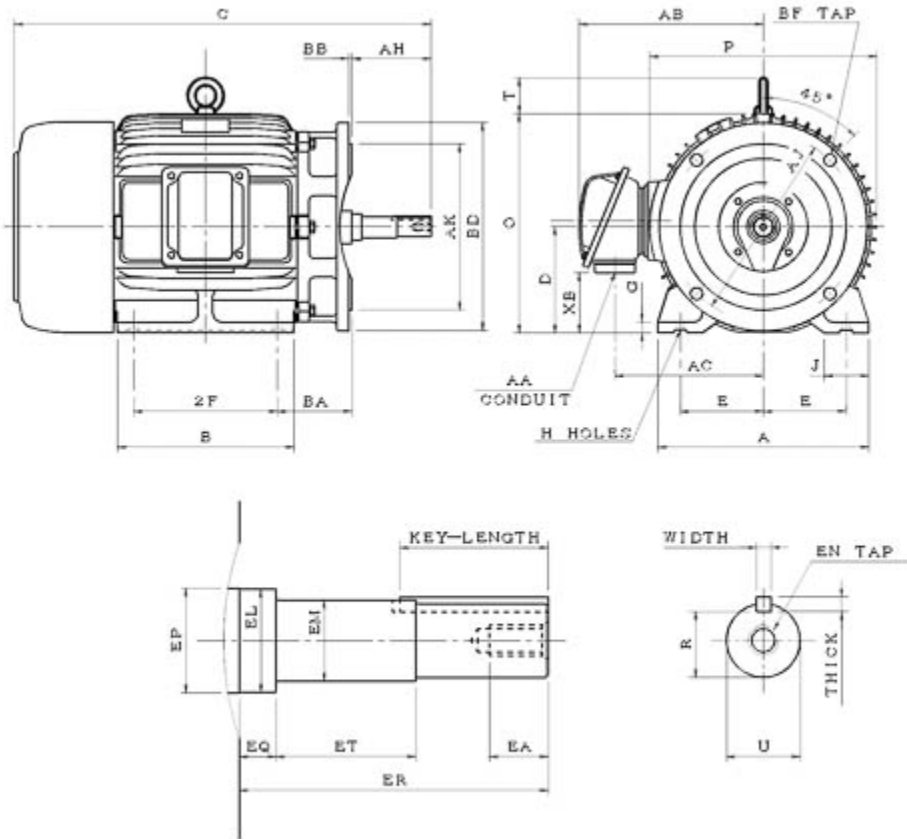


Dimensional Drawing

| Catalogue | Model | HP | Pole | kW | Rating | Voltage | Hz | RPM |
|-----------|-----------|----|------|----|------------|---------|----|------|
| CJP02065 | AEHH8N JP | 20 | 6 | 15 | Continuous | 575 V | 60 | 1200 |



AEHH8N-JP-SMP-5

| Frame Size | Mounting | | | | | A | B | C | CD | D | |
|------------------|----------|------|----------|--------|--------------------|-------------|------------|--------|----------------|------------|--------------|
| | E | 2F | 2F2 | H | BA | | | | | | |
| 286JP | 5.5 | 11 | | 0.53 | 4.95 | 13.98 | 12.8 | 32.005 | | 7 | |
| G | J | K | L | M | O | P | T | Key | | | Keyseat |
| 0.7 | 2.95 | | | | 14.5 | 15.04 | 2.36 | Width | Thick | Length | R |
| | | | | | | | | 0.25 | 0.25 | 2.52 | 1.112 |
| Terminal Housing | | | Aux Box | | | C/D Flange | | | | | |
| AA | AB | AC | XB | AE | AX | BB | AH | AK | BD | AJ | BF |
| 1 1/2" | 12.28 | 9.84 | 3.97 | | | 0.2 | 8.125 | 12.5 | 13.78 | 11 | 4-5/8"-11UNC |
| Shaft Extension | | | Bearings | | Approx. Weight Lbs | SPL dBA/3ft | Ins. Class | S.F. | Drive Method | Dimensions | |
| N-W | U | V | DE | NDE | | | | | | | |
| | 1.25 | | 6311ZZ | 6310ZZ | 510 | 66 | F | 1.15 | DirectCoupling | Inches | |

Technical Data Sheet

Motor Type: AEHH8N_JP

Catalogue No: CJP02065

Nameplate Information

| | | | | | | |
|-----------|------------|----------------|-------------|-------------|--------------|----------------|
| HP | Pole | RPM | Frame | Voltage | Hz | Phase |
| 20 | 6 | 1170 | 286JP | 575 | 60 | 3 |
| Enclosure | Ins. Class | Service Factor | Time Rating | NEMA Design | Rated Amb. | Rated Altitude |
| TEFC | F | 1.15 | Continuous | B | -40 to 40 °C | <3300 ft |

Typical Performance

| Efficiency (%) | | | | Power Factor (%) | | |
|-------------------|-----------------------------|---------------------------------|--------------------------------------|---------------------|-----------|--------------------------------|
| Full Load | | 3/4 Load | 1/2 Load | Full Load | 3/4 Load | 1/2 Load |
| Nom. | Min. | | | | | |
| 91.7 | 90.2 | 92.4 | 92.4 | 84.0 | 81.0 | 73.0 |
| Torque | | | | Current (A) | | |
| Full Load (lb-ft) | Locked Rotor (% FLT) | Pull Up (% FLT) | Break Down (% FLT) | No Load | Full Load | Locked Rotor |
| 89.75 | 210 | 160 | 225 | 6.0 | 19.5 | 116 |
| NEMA KVA Code | Inertia (WR ²) | | | Safe Stall Time (s) | | Noise Level Sound Press. dB(A) |
| | Rotor (lb-ft ²) | NEMA Load (lb-ft ²) | Max. Allowable (lb-ft ²) | Cold | Hot | |
| G | 8.340 | 262 | 610 | 35 | 25 | 66 |

VFD Duty Information

| Speed Range | | | VFD | | S.F. |
|-----------------|-----------------|----------------|---------|--------------|----------|
| Constant Torque | Variable Torque | Constant Power | Carrier | Type | |
| 6-60Hz | 3-60Hz | 60-120Hz | ≤ 5 kHz | VPWM or CPWM | 1.0 Only |

Additional Information

| Bearings | | Approx. Weight |
|----------|--------|----------------|
| DE | NDE | lbs |
| 6311ZZ | 6310ZZ | 510 |

Hazardous Locations Information

| CSA Certified | |
|---|-----------|
| Class I, Div 2, Groups B, C & D | |
| Class I, Zone 2, Groups IIB+H2, IIB & IIA | |
| Temp Code (Sinewave / VFD) | T3C / T3B |