

DATE
February 18, 2004
CATALOG NO.
DJP0014

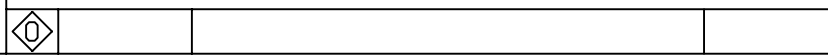
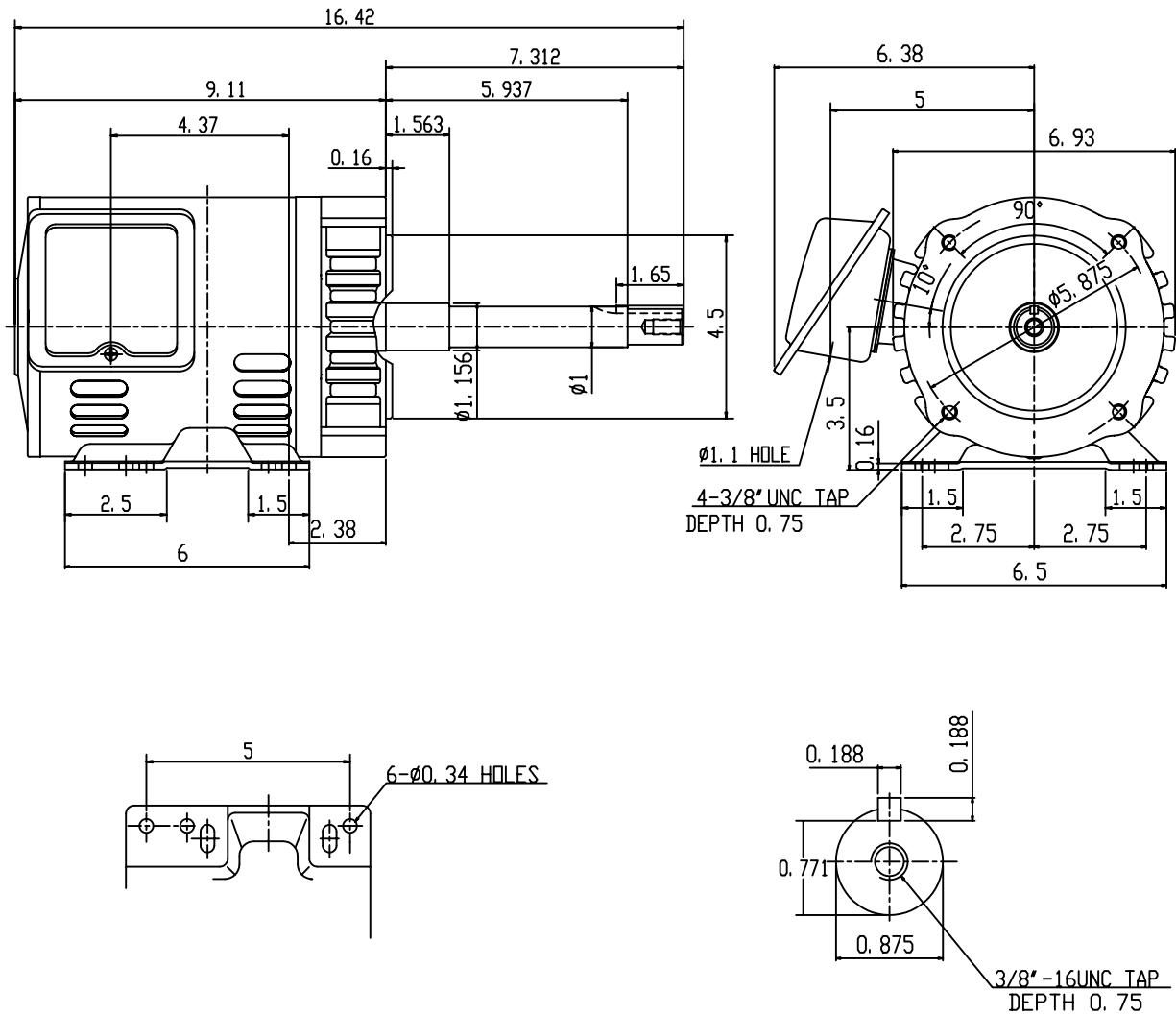
OUTLINE DIMENSIONS
3-PHASE INDUCTION MOTOR

MODEL TYPE:
ASGAJP
FRAME NO. 143JP

| Pole | HP | kW | Hz | VOLT | Syn. Speed r/min(rpm) |
|------|----|-----|----|---------|--------------------------|
| 4 | 1 | .75 | 60 | 230/460 | 1800 |

| Ins | Rating | Dimension in | Approx Weight | Bearings |
|-----|--------|--------------|---------------|------------------------|
| F | CONT. | inches | 35.6 lbs. | DE: 6206ZZ NDE: 6204ZZ |

Open Protected Drip-Proof Squirrel Cage Rotor.



| | | | | | |
|-------|-------------|----------|--|---------|-------------------|
| DWN. | J. T. HWANG | 04-11-03 | | DWG NO. | 31049Z105 1071 |
| CHKD. | J. S. JEAN | 04-11-03 | | | |
| APPD. | Y. B. HUANG | 04-11-03 | | | |