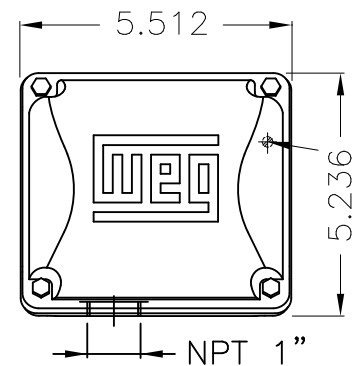
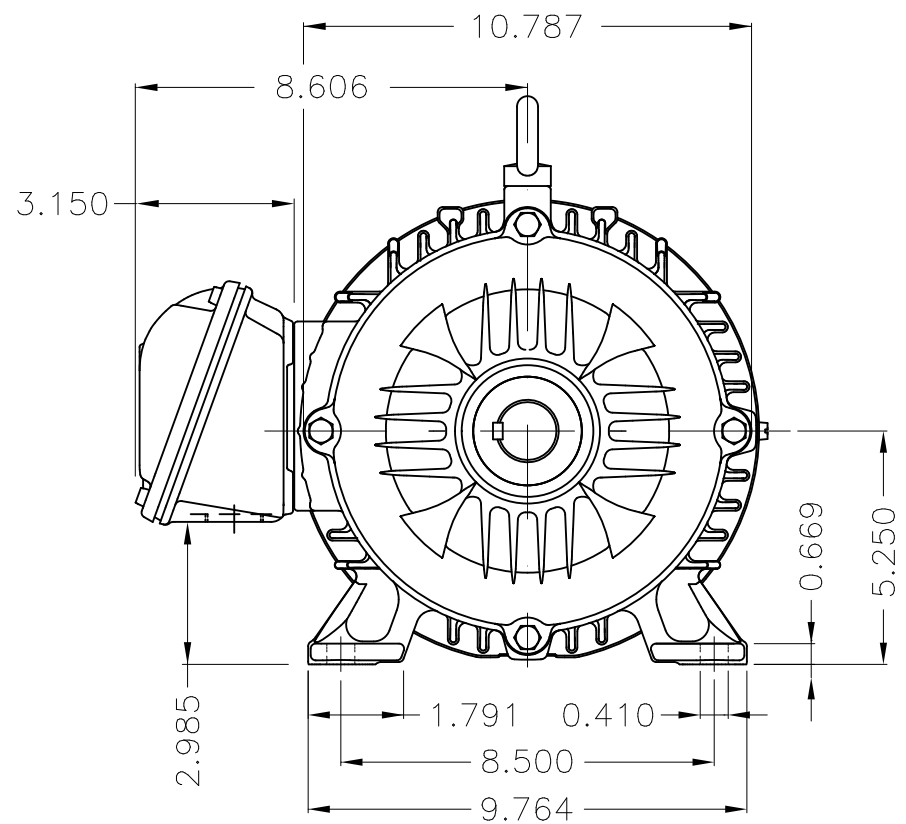


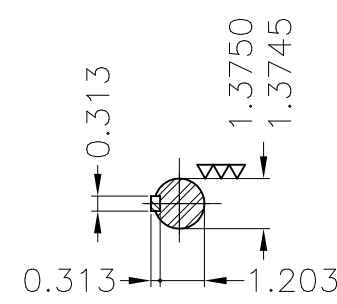
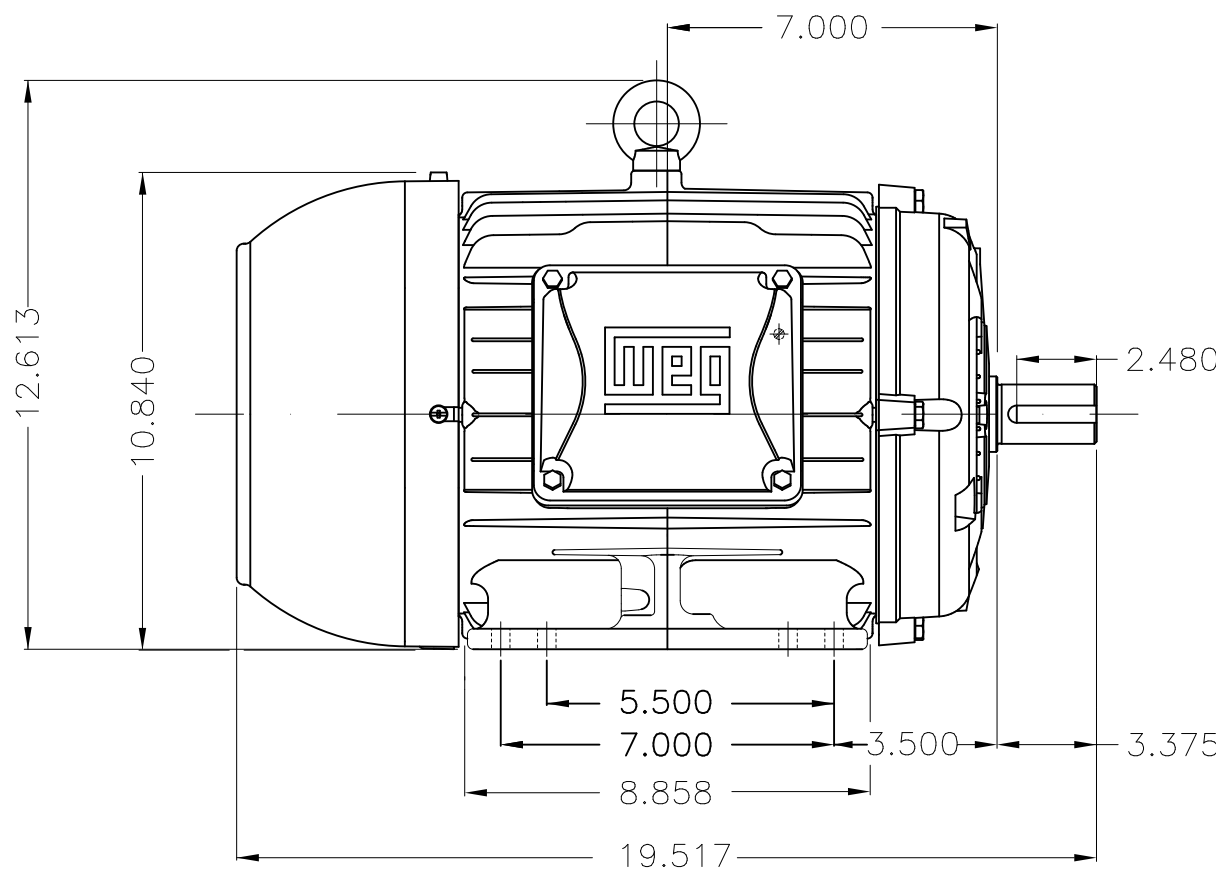
Dimensões em polegada  
Dimensions in inches

THIS IS AN UPDATED REVISION, THE  
PREVIOUS ONE MUST BE DISREGARDED.



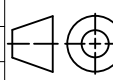
Main terminal box

Grounding for leads 2-10 mm<sup>2</sup> / 14-7 AWG



DE Shaft End

Color RAL 5009  
Painting plan 207A  
Mounting B3R(D)

| ECM      | LOC        | SUMMARY OF MODIFICATIONS   |                |                     | EXECUTED | CHECKED | RELEASED | DATE | VER |
|----------|------------|--|----------------|---------------------|----------|---------|----------|------|-----|
| EXECUTED | USERADMIN  |  THREE PHASE W22 MOTOR - NEMA PREMIUM EFF<br>FRAME 213/5T IP55 TEFC<br>WEG code: 11442841 |                |                     |          |         |          |      |     |
| CHECKED  |            |  |                |                     |          |         |          |      |     |
| RELEASED |            |  |                |                     |          |         |          |      |     |
| REL DT   | 24.07.2017 | WMO  | Jaragua do Sul | Product Engineering | SHEET    | 1 / 1   |          |      |     |

10 HP 04 Poles 60Hz

A

