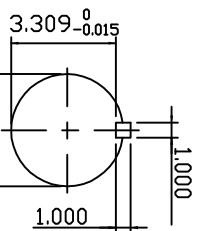
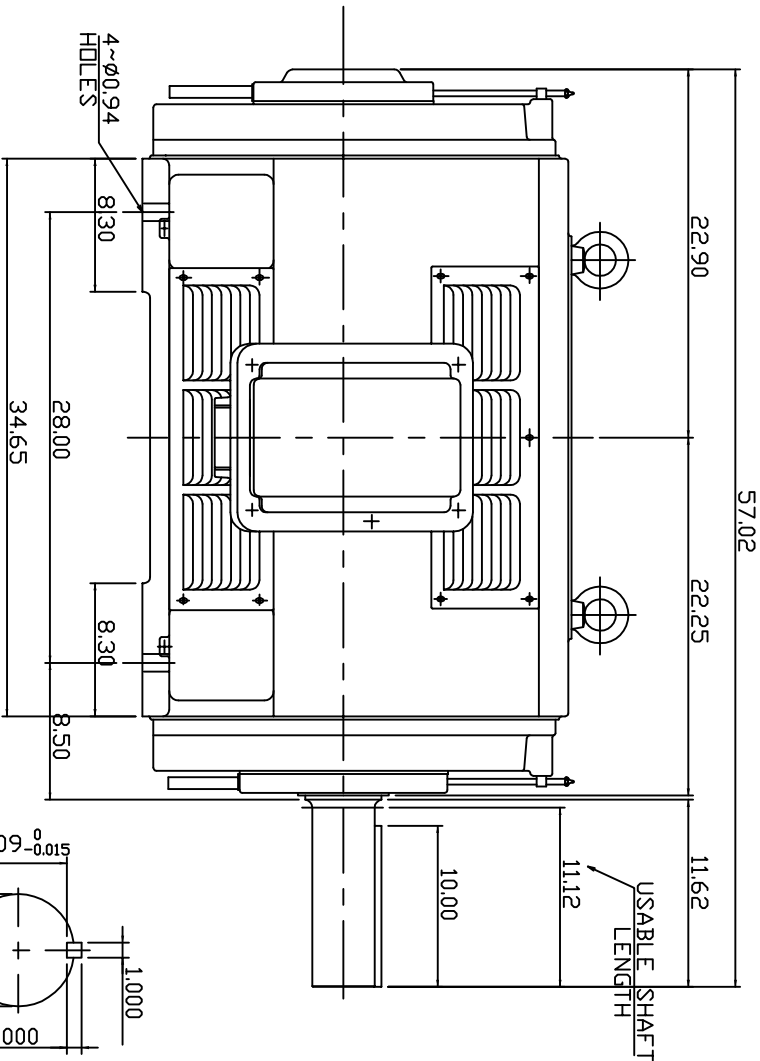
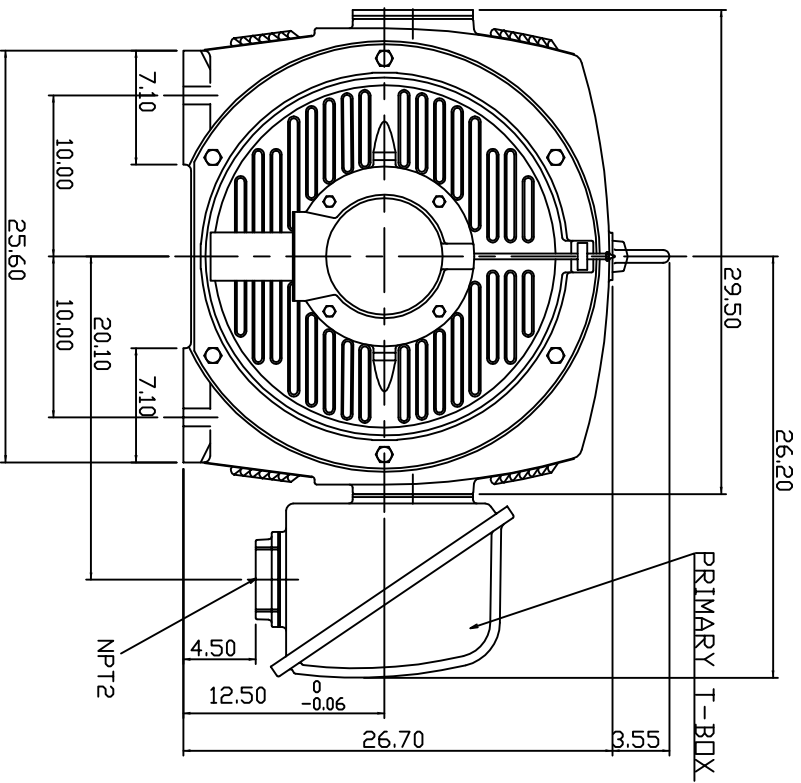


TYPE	OUTPUT		POLE	TIME RATING	VOLTAGE V	Hz	SYN SPEED R.P.M
	HP.	KW.					
ASHH	400	298.4	6	CDNT.	460	60	1200

DRIP PROOF TYPE, SQUIRREL-CAGE ROTOR



SHAFT END  
[ENLARGE VIEW]

- NOTE:  
 1. DIMENSIONS IN INCH  
 2. FRAME NO. 5009B  
 3. F CLASS INSULATION  
 4. FOR DIRECT FLEXIBLE COUPLING  
 5. ENCLOSURE: IP22  
 6. BEARING SIZE: DPP, DRIVE END 6324  
 7. MOTOR APPROX. WEIGHT: 3835 LBS

TW-56C

DWN.	HCHEN	JUL. 05. 2010
CHKD.	W.WENG	JUL. 05. 2010
APPD.	T.HSIAD	JUL. 05. 2010

DATE	JULY 9, 2010	OUTLINE DIMENSIONS
CATALOG NO.	DHP4006	
3-PHASE INDUCTION MOTOR		



DWG NO. 3A049DTA0013-9  
REV: 00