

DATE
APRIL 25, 2011

CAT. #: NP0034C

OUTLINE DIMENSIONS

3-PHASE INDUCTION MOTOR

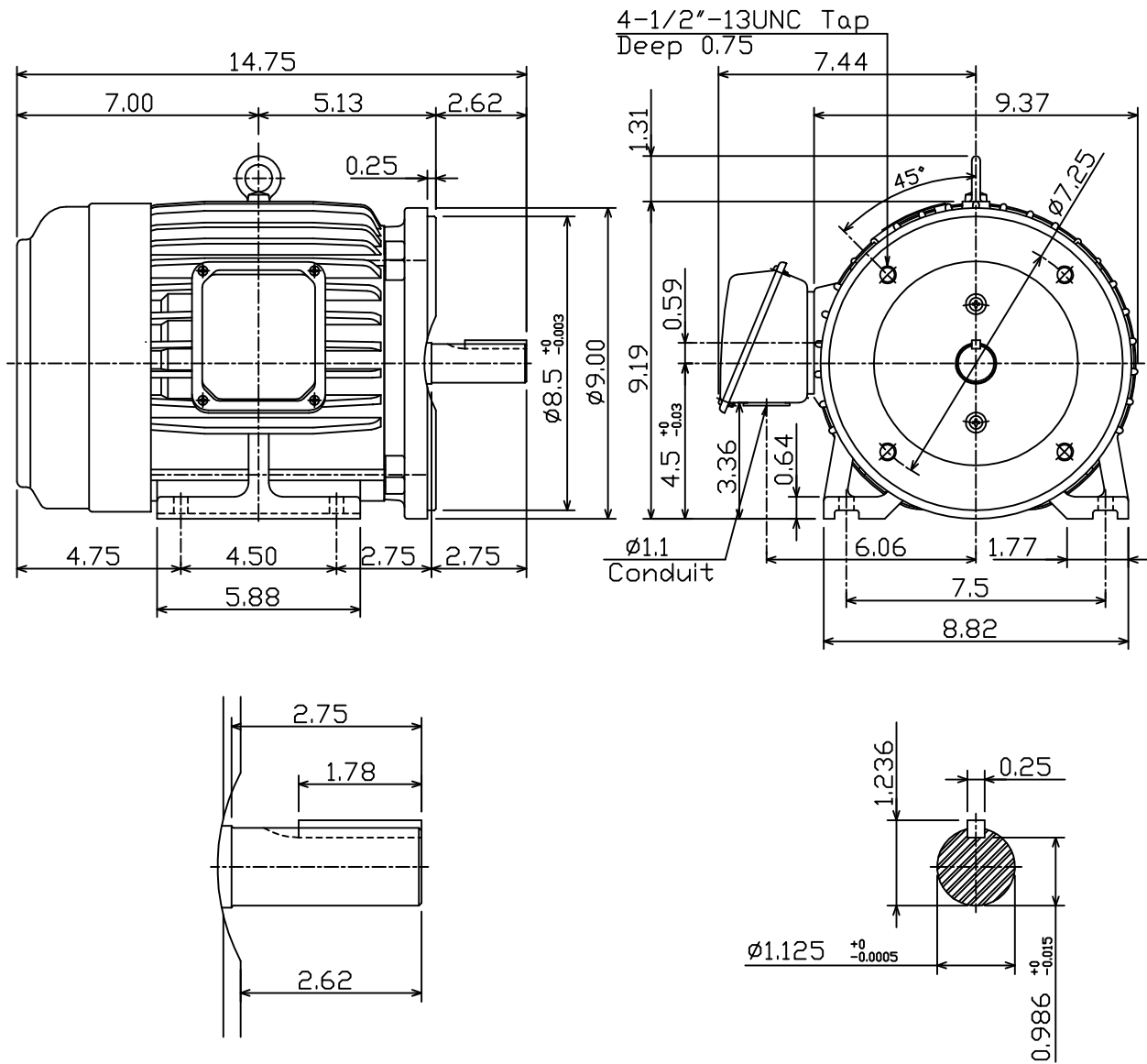
MOTOR TYPE:
AEHH8P-CF

FRAME NO. 182TC

| Pole | HP | kW | Hz | VOLT | Syn.Speed r/min(rpm) |
|------|----|------|----|---------|-------------------------|
| 4 | 3 | 2.24 | 60 | 230/460 | 1800 |

| Ins | Rating | Dimension in | Approx Weight | Bearings |
|-----|--------|--------------|---------------|------------------------|
| F | CONT. | inch | 87 lbs. | DE: 6306ZZ NDE: 6306ZZ |

Totally Enclosed Fan-Cooled Type.Squirrel-Cage Rotor.



| | | |
|-------|-----------|----------|
| DWN. | F.Z.HWANG | 07-31-00 |
| CHKD. | C.S.LD | 09-08-00 |
| APPD. | Y.B.HUANG | 09-08-00 |

TEC Westinghouse

DWG NO.
31049D189350