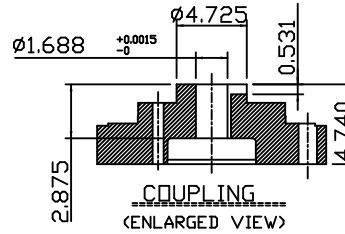
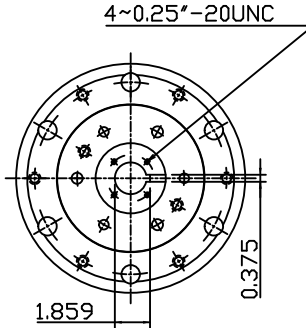
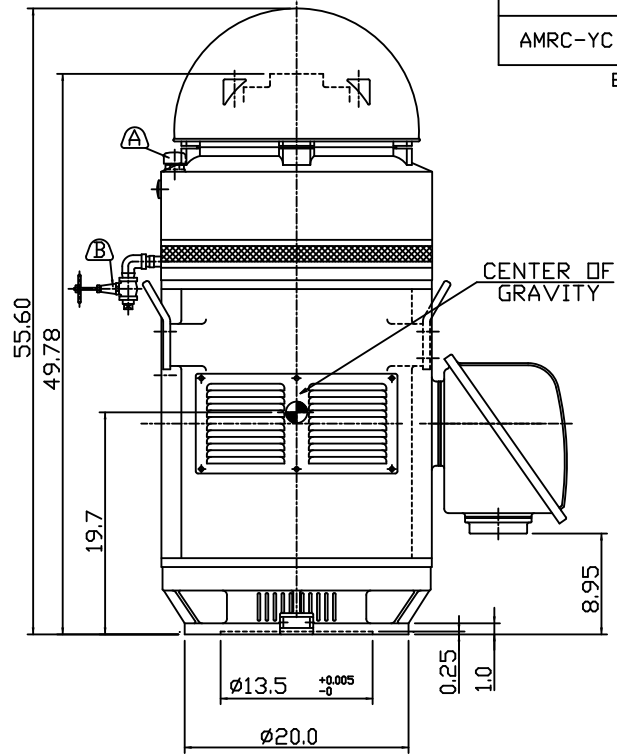


TYPE	OUTPUT		POLE	TIME RATING	VOLTAGE V	Hz	SYN.SPEED R.P.M
	HP.	kW.					
AMRC-YC	350	262	4	CONT	460	60	1800

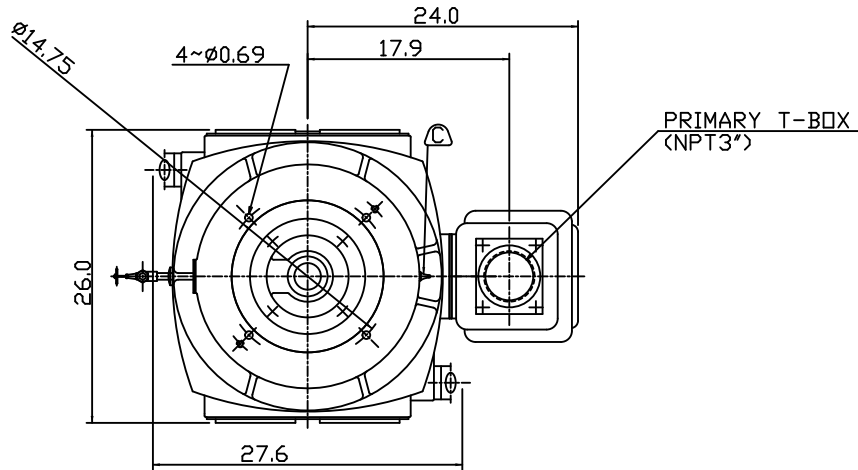
ENCLOSED VENTILATED VERTICAL HOLLOW SHAFT TYPE, SQUIRREL CAGE ROTOR
NEMA WEATHER PROTECTED TYPE I



NOTE:

- DIMENSIONS IN INCHES.
- FRAME NO.447TP.
- F CLASS INSULATION.
- FOR DIRECT FLEXIBLE COUPLING.
- BEARING SIZE:
UPPER BEARING: 7326B [UNINSULATED]
LOWER BEARING: 6318C3 [UNINSULATED]
- LUBRICATION:
UPPER BEARING USE OIL.
OIL VISCOSITY: ISO VG68[300 SSU/100°F]
OIL QUANTITY: 8.6GAL.
LOWER BEARING USE ESSO POLYREX EM GREASE.
- THRUST CAPACITY:
MAX. ALLOWABLE CONT. DOWNTHRUST: 13300 LBS.
BEARING LIFE: B10/8800 HRS.
- ROTATION: COUNTER-CLOCKWISE(VIEWED FROM TOP).
- WITH NON-REVERSE RATCHET MECHANISM.
- WITH GIB KEY: 0.375x0.375x2.875, 1PCS
- NATURAL REED FREQUENCY: 45HZ.
ABOVE CALCULATION IS CONSIDERING MOTOR AND FOR REFERENCE ONLY.
THE WHOLE PUMPING SYSTEM ANALYSIS SHALL BE PERFORMED BY THE PUMP MANUFACTURER.
- MOTOR APPROX. WEIGHT: 2900LBS.

- (A) OIL FILLER [UPPER BEARING]
- (B) OIL DRAIN [UPPER BEARING]
- (C) GREASE INLET NIPPLE [LOWER BEARING]



DATE	MARCH 6, 2009
CAT. #:	VH3504

OUTLINE DIMENSIONS
3-PHASE INDUCTION MOTOR

DWN.	S.WANG	FEB-25-2009
CHKD.	S.WANG	FEB-25-2009
APPD.	C.WANG	FEB-26-2009

TEC Westinghouse

DWG NO. REV:00
3B040T897