

DATE
OCTOBER 29, 2009
CAT. #: GPV0056C

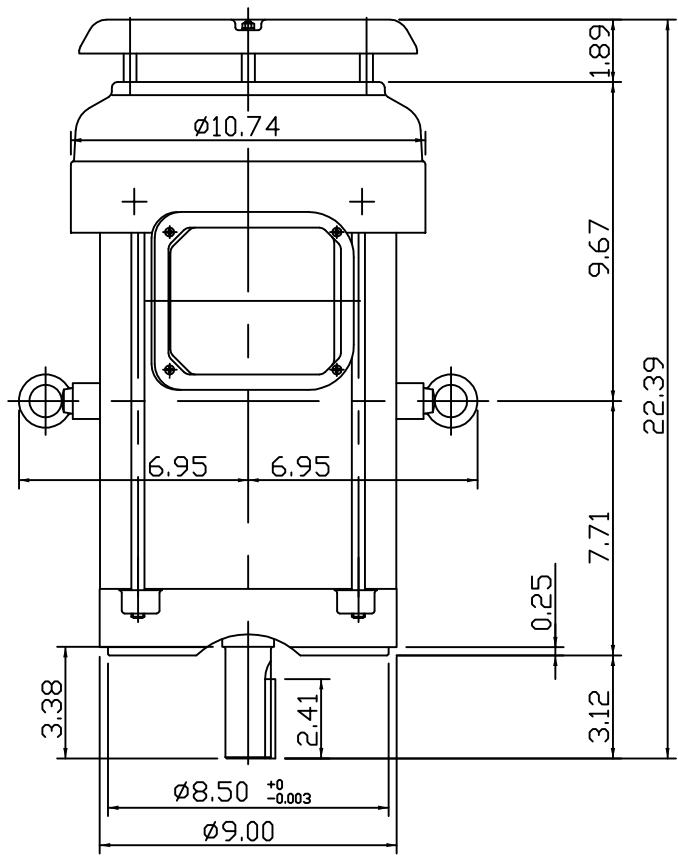
OUTLINE DIMENSIONS
3-PHASE INDUCTION MOTOR

MOTOR TYPE:
AETHCF
FRAME NO. 215TC

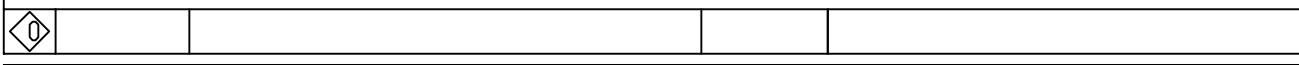
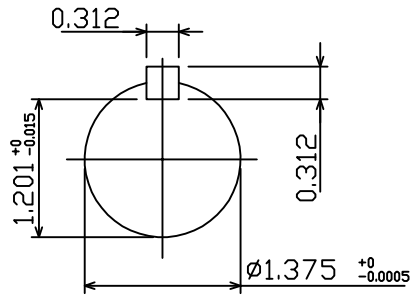
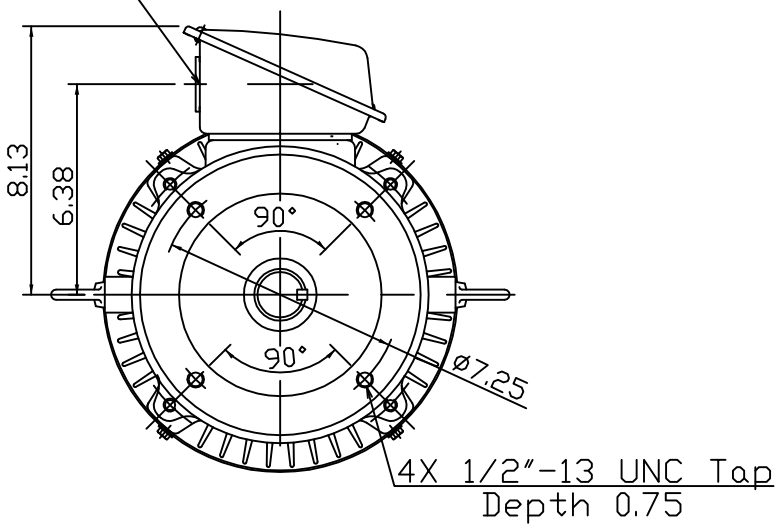
| Pole | HP | kW | Hz | VOLT | Syn.Speed r/min(rpm) |
|------|----|------|----|---------|-------------------------|
| 6 | 5 | 3.73 | 60 | 230/460 | 1200 |

| Ins | Rating | Dimension in | Approx Weight | Bearings |
|-----|--------|--------------|---------------|----------------------------|
| F | CONT. | inches | 189 lbs. | DE: 6208ZZC3 NDE: 6206ZZC3 |

Totally Enclosed Fan-Cooled Type. Squirrel-Cage Rotor.



$\phi 1.38$ " CONDUIT HOLE



| | | |
|-------|-----------|----------|
| DWN. | Y.S.LIN | 10 01 09 |
| CHKD. | J.H.LIANG | 10 06 09 |
| APPD. | M.C.TSAI | 10 06 09 |



DWG NO.
31049R195010