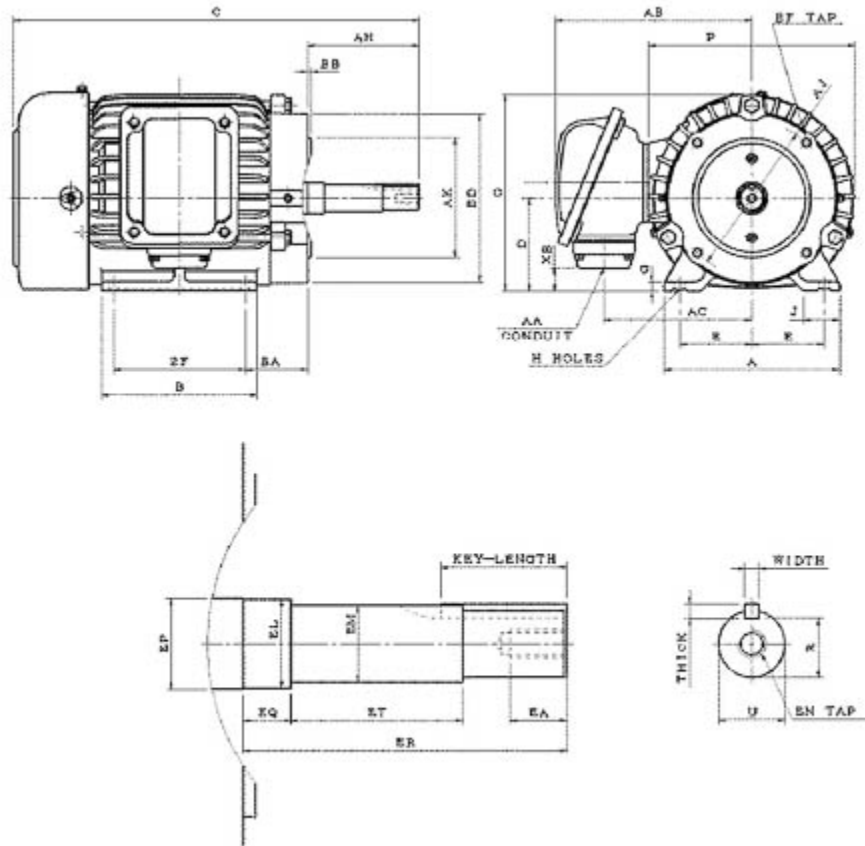


Dimensional Drawing

| | | | | | | | | |
|-----------|-----------|-----|------|-----|------------|-------------|----|------|
| Catalogue | Model | HP | Pole | kW | Rating | Voltage | Hz | RPM |
| CJM1/54 | AEHH8N_JM | 1.5 | 4 | 1.1 | Continuous | 230 / 460 V | 60 | 1800 |



AEHH8N-JM-SMP-1

| Frame Size | Mounting | | | | | A | B | C | CD | D | |
|------------------|----------|------|----------|--------|--------------------|-------------|------------|-------|----------------|------------|--------------|
| | E | 2F | 2F2 | H | BA | | | | | | |
| 145JM | 2.75 | 5 | | 0.34 | 2.38 | 6.7 | 5.9 | 15.67 | | 3.5 | |
| G | J | K | L | M | O | P | T | Key | | | Keyseat |
| 0.35 | 1.4 | | | | 7.45 | 7.87 | | Width | Thick | Length | R |
| | | | | | | | | 0.188 | 0.188 | 1.65 | 0.771 |
| Terminal Housing | | | Aux Box | | | C/D Flange | | | | | |
| AA | AB | AC | XB | AE | AX | BB | AH | AK | BD | AJ | BF |
| 3/4" | 7.56 | 5.63 | 0.86 | | | 0.156 | 4.25 | 4.5 | 6.38 | 5.875 | 4-3/8"-16UNC |
| Shaft Extension | | | Bearings | | Approx. Weight Lbs | SPL dBA/3ft | Ins. Class | S.F. | Drive Method | Dimensions | |
| N-W | U | V | DE | NDE | | | | | | | |
| | 0.875 | | 6205ZZ | 6205ZZ | 57 | 50 | F | 1.15 | DirectCoupling | Inches | |

Technical Data Sheet

Motor Type: AEHH8N_JM

Catalogue No: CJM1/54

Nameplate Information

| | | | | | | |
|-----------|------------|----------------|-------------|-------------|--------------|----------------|
| HP | Pole | RPM | Frame | Voltage | Hz | Phase |
| 1.5 | 4 | 1730 | 145JM | 230 / 460 | 60 | 3 |
| Enclosure | Ins. Class | Service Factor | Time Rating | NEMA Design | Rated Amb. | Rated Altitude |
| TEFC | F | 1.15 | Continuous | B | -40 to 40 °C | <3300 ft |

Typical Performance

| Efficiency (%) | | | | Power Factor (%) | | |
|-------------------|-----------------------------|---------------------------------|--------------------------------------|---------------------|-----------|--------------------------------|
| Full Load | | 3/4 Load | 1/2 Load | Full Load | 3/4 Load | 1/2 Load |
| Nom. | Min. | | | | | |
| 86.5 | 84.0 | 86.5 | 85.5 | 78.0 | 70.0 | 57.0 |
| Torque | | | | Current (A) | | |
| Full Load (lb-ft) | Locked Rotor (% FLT) | Pull Up (% FLT) | Break Down (% FLT) | No Load | Full Load | Locked Rotor |
| 4.55 | 300 | 260 | 360 | 2.2 / 1.1 | 4.2 / 2.1 | 40 / 20 |
| NEMA KVA Code | Inertia (WR ²) | | | Safe Stall Time (s) | | Noise Level Sound Press. dB(A) |
| | Rotor (lb-ft ²) | NEMA Load (lb-ft ²) | Max. Allowable (lb-ft ²) | Cold | Hot | |
| M | 0.093 | 8.6 | 47 | 57 | 40 | 50 |

VFD Duty Information

| Speed Range | | | VFD | | S.F. |
|-----------------|-----------------|----------------|---------|--------------|----------|
| Constant Torque | Variable Torque | Constant Power | Carrier | Type | |
| 6-60Hz | 3-60Hz | 60-120Hz | ≤ 5 kHz | VPWM or CPWM | 1.0 Only |

Additional Information

| Bearings | | Approx. Weight |
|----------|--------|----------------|
| DE | NDE | lbs |
| 6205ZZ | 6205ZZ | 57 |

Hazardous Locations Information

| CSA Certified | |
|---|-----------|
| Class I, Div 2, Groups B, C & D | |
| Class I, Zone 2, Groups IIB+H2, IIB & IIA | |
| Temp Code (Sinewave / VFD) | T3C / T3C |