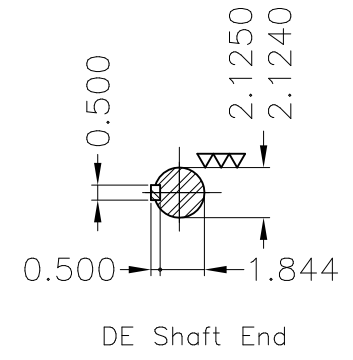
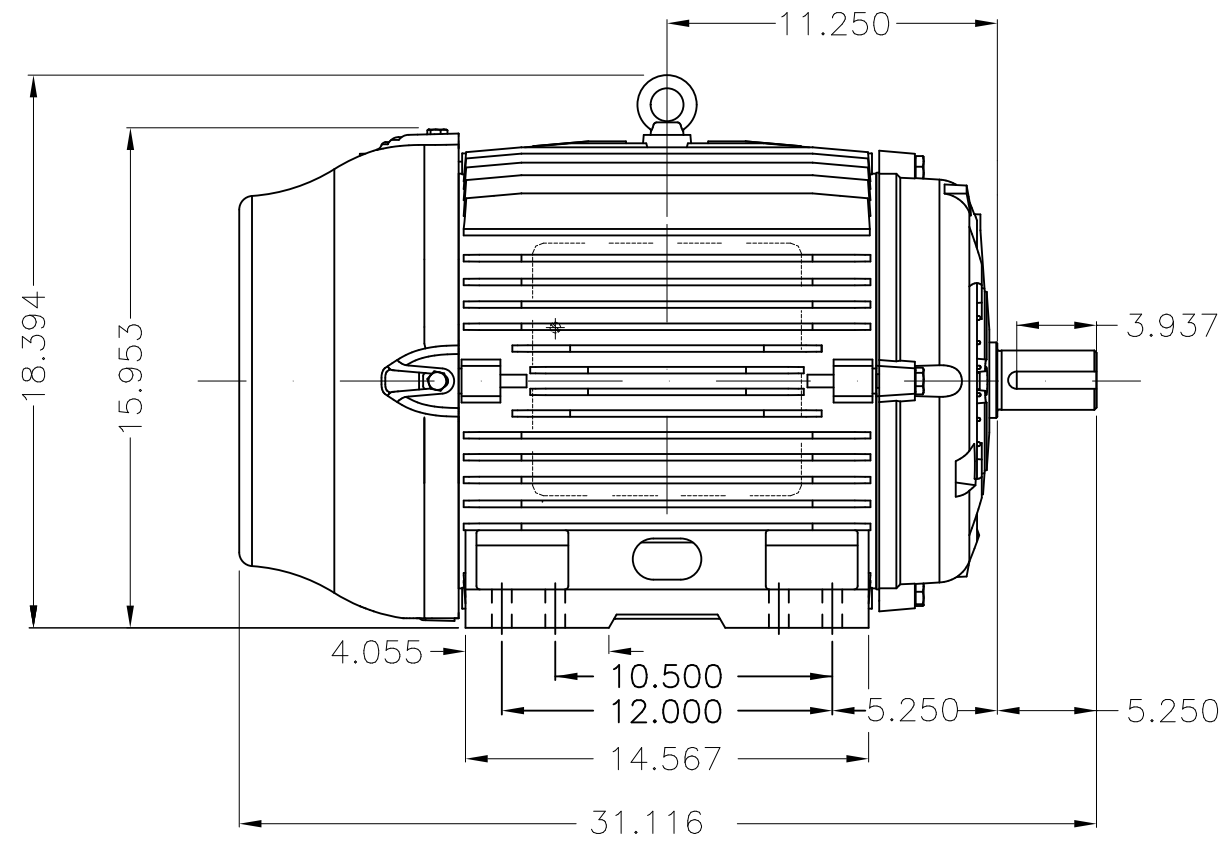
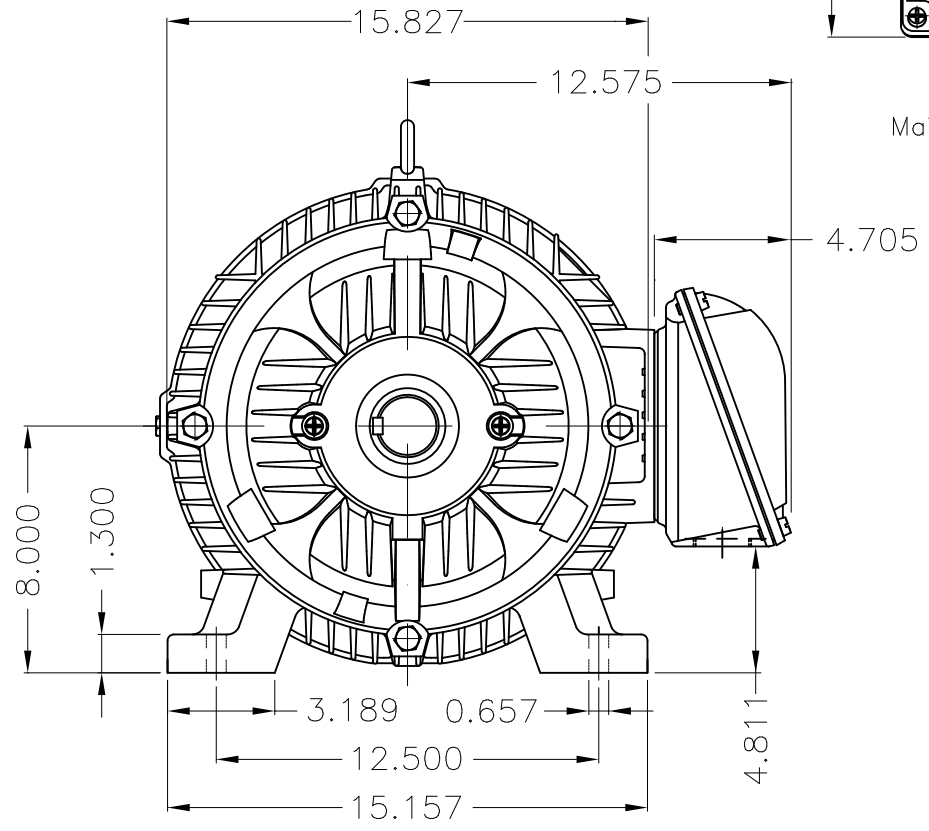
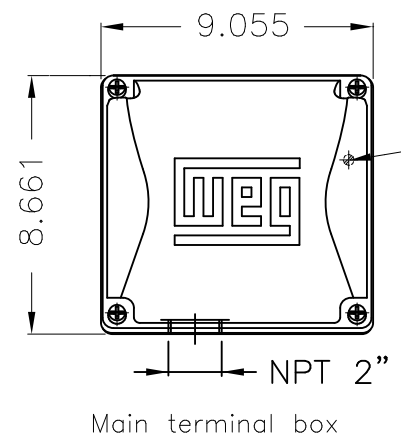
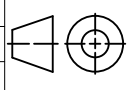


Dimensões em polegada  
Dimensions in inches

THIS IS AN UPDATED REVISION, THE  
PREVIOUS ONE MUST BE DISREGARDED.



Color RAL 9010  
Painting plan 203A  
Mounting B3L(E)

| ECM      | LOC        | SUMMARY OF MODIFICATIONS  |                |                     | EXECUTED | CHECKED | RELEASED | DATE | VER |
|----------|------------|---|----------------|---------------------|----------|---------|----------|------|-----|
| EXECUTED | USERADMIN  |  THREE PHASE W22 MOTOR CATEGORIA D<br>FRAME 324/6T IP55 TEFC<br>WEG code: 12686563 |                |                     |          |         |          |      |     |
| CHECKED  |            |   |                |                     |          |         |          |      |     |
| RELEASED |            |   |                |                     |          |         |          |      |     |
| REL DT   | 24.07.2017 | WMO   | Jaragua do Sul | Product Engineering | SHEET    | 1 / 1   |          |      |     |

30 HP 06 Poles 60Hz

