

# Product Information Packet

November 7, 2016

Data shown is for the current revision model #. Ensure your nameplate model # matches.

<b>Model Number:</b>	<b>5KS143ATE205A</b>
<b>Catalog Number:</b>	<b>E707</b>
<b>Instruction Manual:</b>	GEI-M1023
<b>Connection Diagram:</b>	GEM2034E-FIG3
<b>Outline Drawing:</b>	358B6213AA

Accessory Connection Diagrams			
<b>Bearing Thermocouple:</b>	None	<b>Heater:</b>	None
<b>RTD:</b>	None	<b>Thermistor:</b>	None
<b>Thermostat:</b>	None	<b>Winding Thermocouple:</b>	None
<b>Bearing RTD:</b>	None		

Table of Contents	
Specification	01
Performance Characteristics	02
Outline Drawing	03
Connection Drawing(s)	04

**Marks:**

<b>MODEL NUMBER:</b>	<b>5KS143ATE205A</b>	<b>Estimated Weight:</b>	41 Lbs
<b>Outline Drawing:</b>	358B6213AA	<b>Time Rating:</b>	CONT
<b>Connection Diagram:</b>	GEM2034E-FIG3	<b>Enclosure:</b>	DP
<b>Instruction Book:</b>	GEI-M1023	<b>Encl Construction:</b>	OPEN
<b>Design Code:</b>	14AD1003A	<b>Ambient Max(°C):</b>	40
<b>Type:</b>	KS	<b>Alt Ambient Max(°C):</b>	--
<b>Frame:</b>	143T	<b>Insulation Class:</b>	F
<b>Phases:</b>	3	<b>NEMA Design:</b>	B
<b>Poles:</b>	4	<b>Nominal Efficiency:</b>	85.5 %
<b>Output Power:</b>	1HP 0.7KW	<b>Guaranteed Efficiency:</b>	82.5
<b>RPM:</b>	1735	<b>3/4 Load Efficiency:</b>	87.9
<b>Voltage:</b>	230/460	<b>KVA Code:</b>	N
<b>Hertz:</b>	60	<b>Max KVAR:</b>	.5
<b>Amps - FL:</b>	2.8/1.4	<b>Power Factor:</b>	77.5
<b>Service Factor:</b>	1.15	<b>Bearing - DE:</b>	6205ZZ
<b>Alt Service Factor:</b>	--	<b>Bearing - ODE:</b>	6205ZZ

Enclosure is Dripproof

---

**Stamped Nameplate Notes:****Additional Information:**

4 POLE DP  
 LRA: 20.4/10.2  
 NO. OF MOTOR LEADS: 9  
 CONDUIT BOX VOLUME (IN<sup>3</sup>): 30.2  
 CONDUIT BOX MTL: STAMPED STEEL  
 GREASE TYPE: SHELL ALVANIA R3 LITHIUM GREASE  
 USABLE AT 200V @ 1 HP, 3.1 AMPS @ 1.0 SF  
 50 HZ DATA: 3/4 HP, 200/400V, 2.6 / 1.3 AMPS @1.0SF, 1450 RPM  
 SOUND POWER: 50.96  
 DMK, 06/04, DATA UPDATE 11/2004  
 INVERTER DUTY PER NEMA MG1 PART 31  
 FOR VARIABLE TORQUE LOADS

**Performance Characteristics**

1st Winding 1st Connection

**Design: 14AD1003A**

**Marks:**

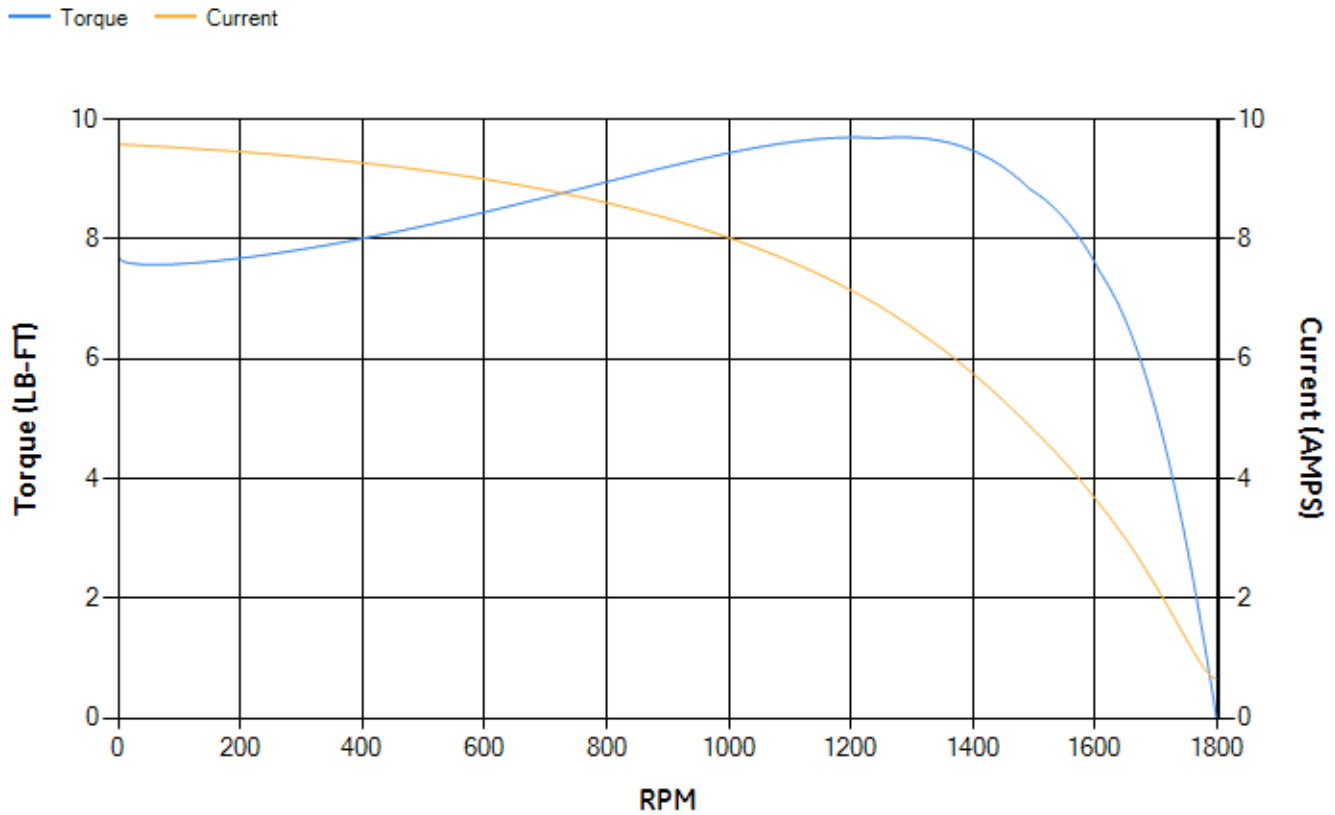
LOAD %	125.0	115.0	100.0	75.0	50.0	25.0	0.0
% EFF	86.48	87	87.81	87.95	86.7	80.31	0.00
% PF	82.44	81.36	79.1	72.78	61.04	39.99	7.73
AMPS	1.64	1.52	1.35	1.1	0.88	0.73	0.65

<b>TORQ(FL)#FT</b>	3.01	<b>TORQ(LR)%FL</b>	255.49	<b>TORQ(BD)%FL</b>	317.27
<b>AMPS(LR)</b>	9.58	<b>PF AT START</b>	0.53		

This motor is capable of two cold or one hot start with a maximum connected load inertia of 64 Lb-Ft Sq (2.69 Kg-meter Sq)at 100% voltage, where the load torque varies with the square of the speed. Acceleration time with maximum inertia and the above load type is 49 seconds. Safe stall time at 100% voltage is 117 seconds cold, 93 seconds hot. Rotor inertia is 0.1 Lb-Ft Sq (0 Kg-meter Sq).

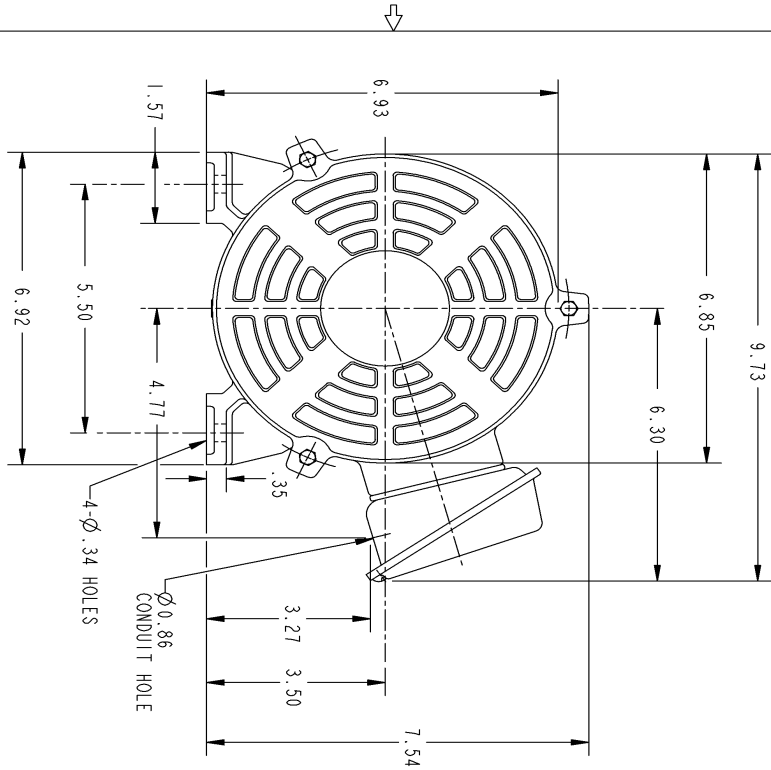
<b>Open Circuit A-C:</b>	0.156	<b>Short Circuit D-C:</b>	0.007
<b>Short Circuit A-C:</b>	0.008	<b>X/R Ratio:</b>	2.723
<b>Stator Slots:</b>	36	<b>Rotor Slots:</b>	28

**Speed Torque Current Curve (First Connection, First Speed)**



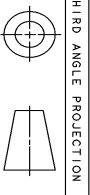
NAME:501452442 OBJECT:358B6213AA DATE:23-May-07 23:02:23

Marks:

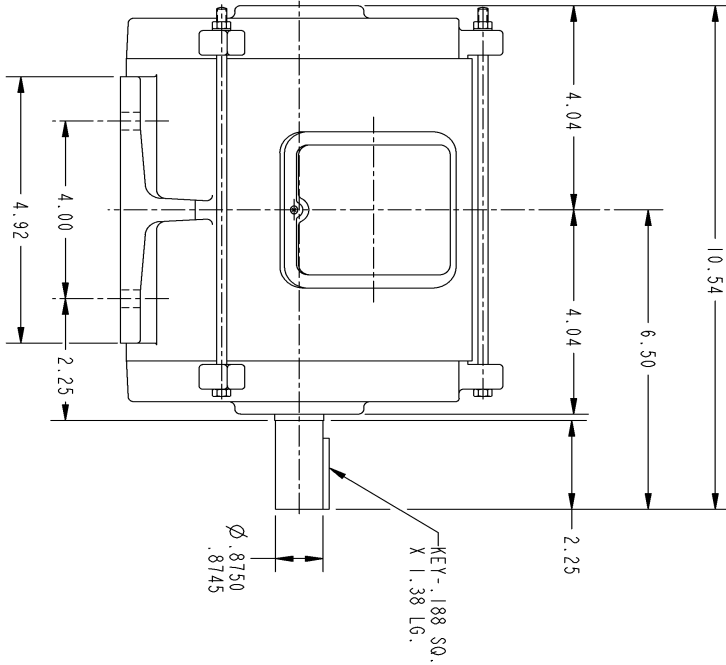


NOTES :

1. CONDUIT BOX MAY BE PLACED WITH THE ENTRANCE DOWN, UP OR ON EITHER SIDE.
2. F-1 ASM AS SHOWN.
3. F-2 ASM - HAS CONDUIT BOX ON OPPOSITE SIDE.



SIZE DRAWING FOR <b>358B6213AA</b>		SHEET <b>2</b>	
GE PROPRIETARY INNOVATION			
This drawing is the property of General Electric Company (GE) and contains confidential information. This drawing is loaned to the recipient under the understanding that the information contained herein shall be disclosed to no other person and shall be returned to GE upon its request. This drawing shall be returned to GE upon its request. This drawing shall be returned to GE upon its request. This drawing shall be returned to GE upon its request.			
REV.	DESCRIPTION	DATE	APPROVED
1	Updated dimensions	9/20/06	
2	ISAAC 07-0770	05/02/07	R. KOHNE



UNLESS OTHERWISE SPECIFIED:		SIGNATURES		DATE	
DIMENSIONS ARE IN INCHES		DRAWN		P. RAJU 03/26/03	
TOLERANCE ON:		CHECKED		PRABHAKAR 03/27/03	
2 PL. DECIMALS ± .01		ENGR			
3 PL. DECIMALS ± .005		ISSUED		PRABHAKAR 03/27/03	
MATERIAL:		APPLIED PRACTICES		SCALE: DRAWING SCALE	
		SIZE DRAWING		REV.	
		B		2	
		GENERAL ELECTRIC COMPANY		Fort Wayne, Indiana	
		Systems		OUTLINE	
		143T - OPEN DRIP PROOF		358B6213AA	
		DISTRIBUTION:		SHEET 1 OF 1	

Marks:

**Connection Diagram**  
**GEM2034E-FIG3**

