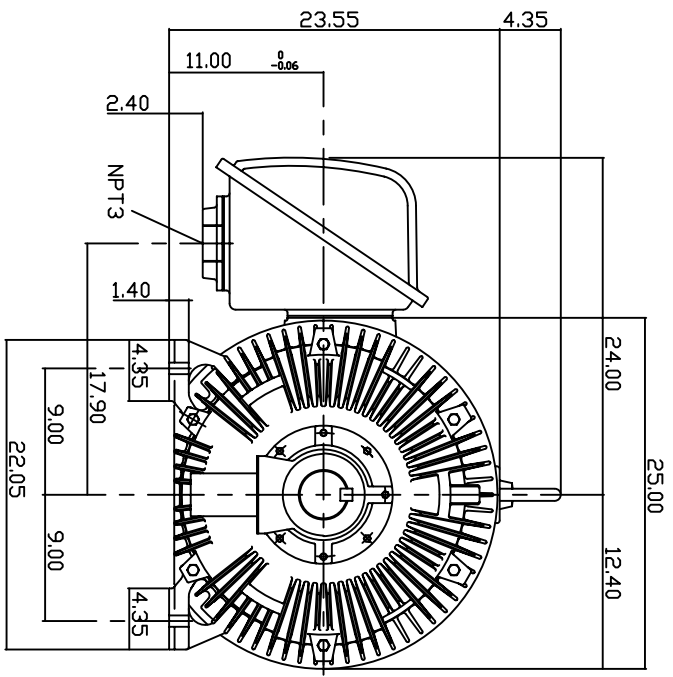
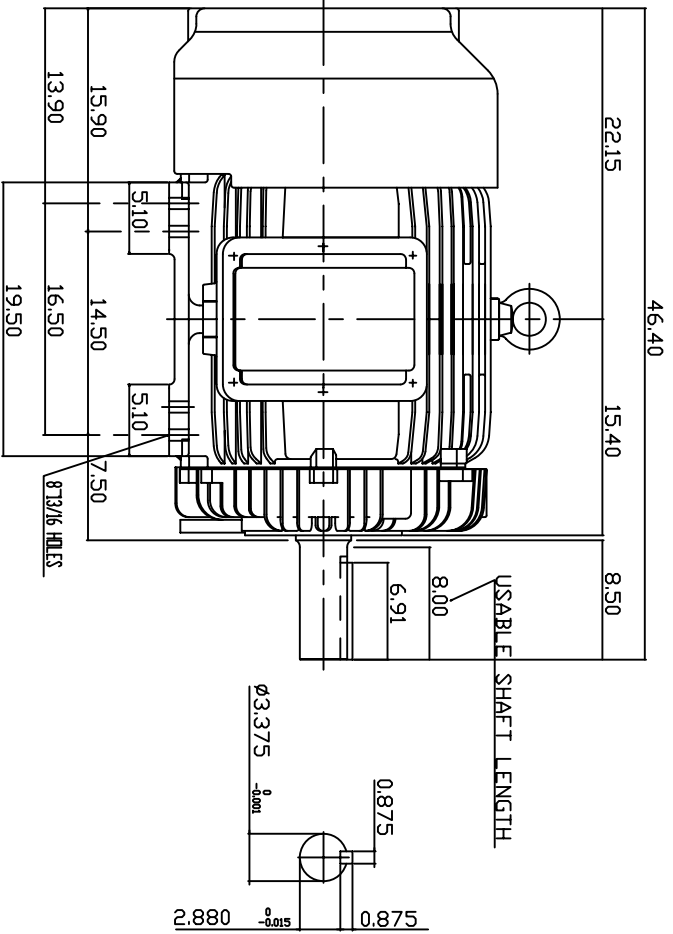


TYPE	OUTPUT		POLE	TIME RATING	VOLTAGE	Hz	SYNSPEED R.P.M.
	HP.	KW.					
AEH8N	125	93.3	6	CONT.	230/460	60	1200

TOTALLY ENCLOSED FAN-COOLED TYPE, SQUIRREL-CAGE ROTOR



NOTE:

1. DIMENSIONS IN INCH
2. FRAME NO. 445T
3. F CLASS INSULATION, S.F.115
4. FOR BELTED SERVICE
5. ENCLOSURE: IP54
6. BEARING SIZE: DRIVE END: NU318
NON-DRIVE END: 6316
7. APPROX. WEIGHT: 1900 LBS

TW-56C

DWN. S. DING	JAN -28 -2005
CHKD. H.HUANG	JAN -28 -2005
APPD. C.WANG	JAN -28 -2005

DATE 20050616
 CATALOG # EP1256R
 OUTLINE DIMENSIONS
 3-PHASE INDUCTION MOTOR
 Dwg NO. 3A040Y651
 REV. 00