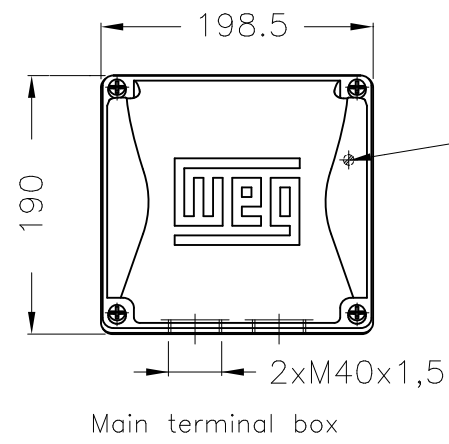
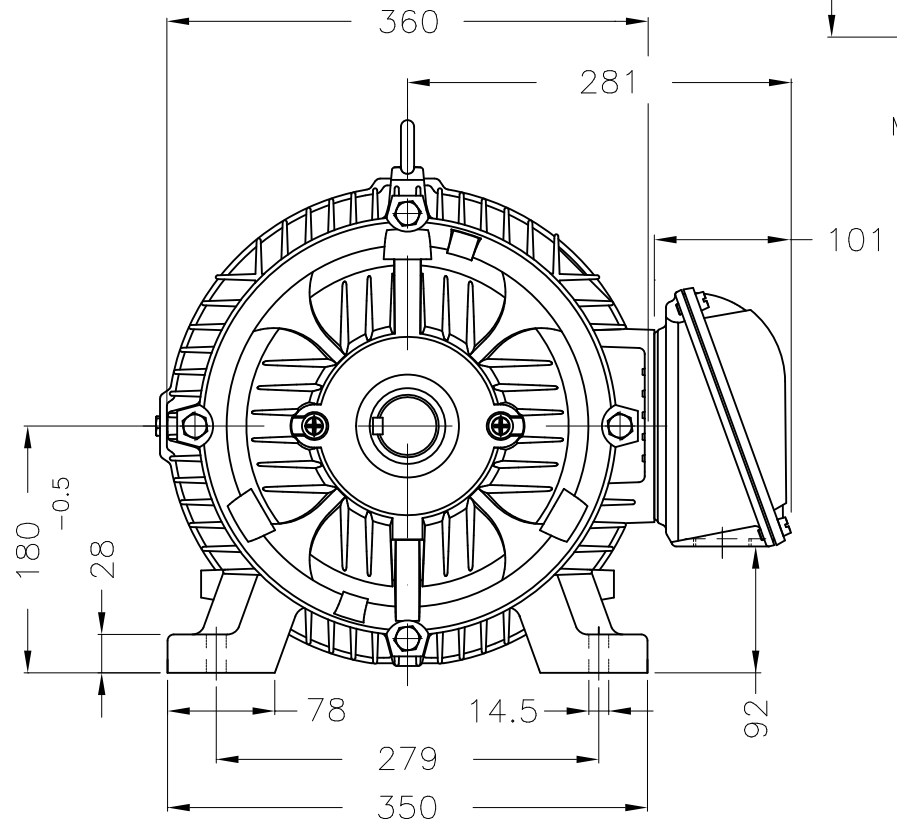
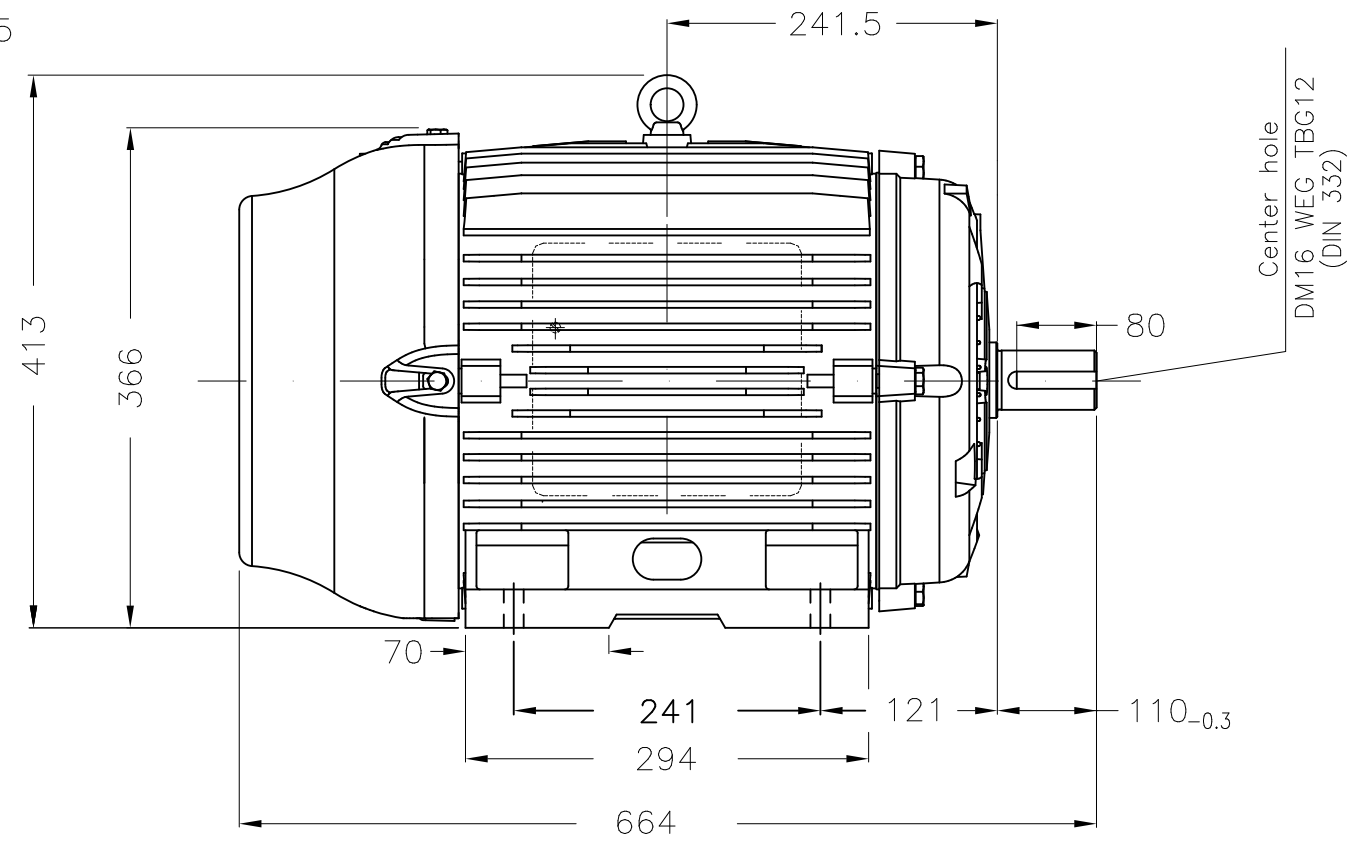


Dimensões em mm  
Dimensions in mm

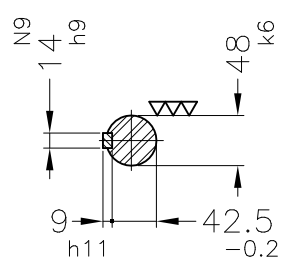
THIS IS AN UPDATED REVISION, THE  
PREVIOUS ONE MUST BE DISREGARDED.



Grounding for leads 5.2–25 mm<sup>2</sup> / 10–4 AWG

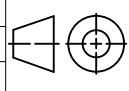


Center hole  
DM16 WEG TBG12  
(DIN 332)



DE Shaft End

Color RAL 5009  
Painting plan 203A  
Mounting B3L(E)

| ECM      | LOC        | SUMMARY OF MODIFICATIONS  |  |                     | EXECUTED | CHECKED | RELEASED | DATE | VER |
|----------|------------|---|--|---------------------|----------|---------|----------|------|-----|
| EXECUTED | USERADMIN  |  | THREE PHASE W22 TRU-METRIC PREMIUM EFF |                     |          |         |          |      |     |
| CHECKED  |            |   | FRAME 180M IP55 TEFC                   |                     |          |         |          |      |     |
| RELEASED |            |   | WEG code: 11567829                     |                     |          |         |          |      |     |
| REL DT   | 24.07.2017 | WMO   | Jaragua do Sul                         | Product Engineering | SHEET    | 1 / 1   |          |      |     |

30 HP 02 Poles 60Hz

A



ZME A3