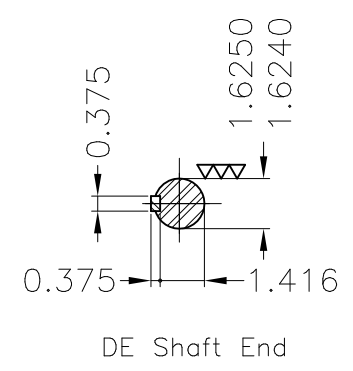
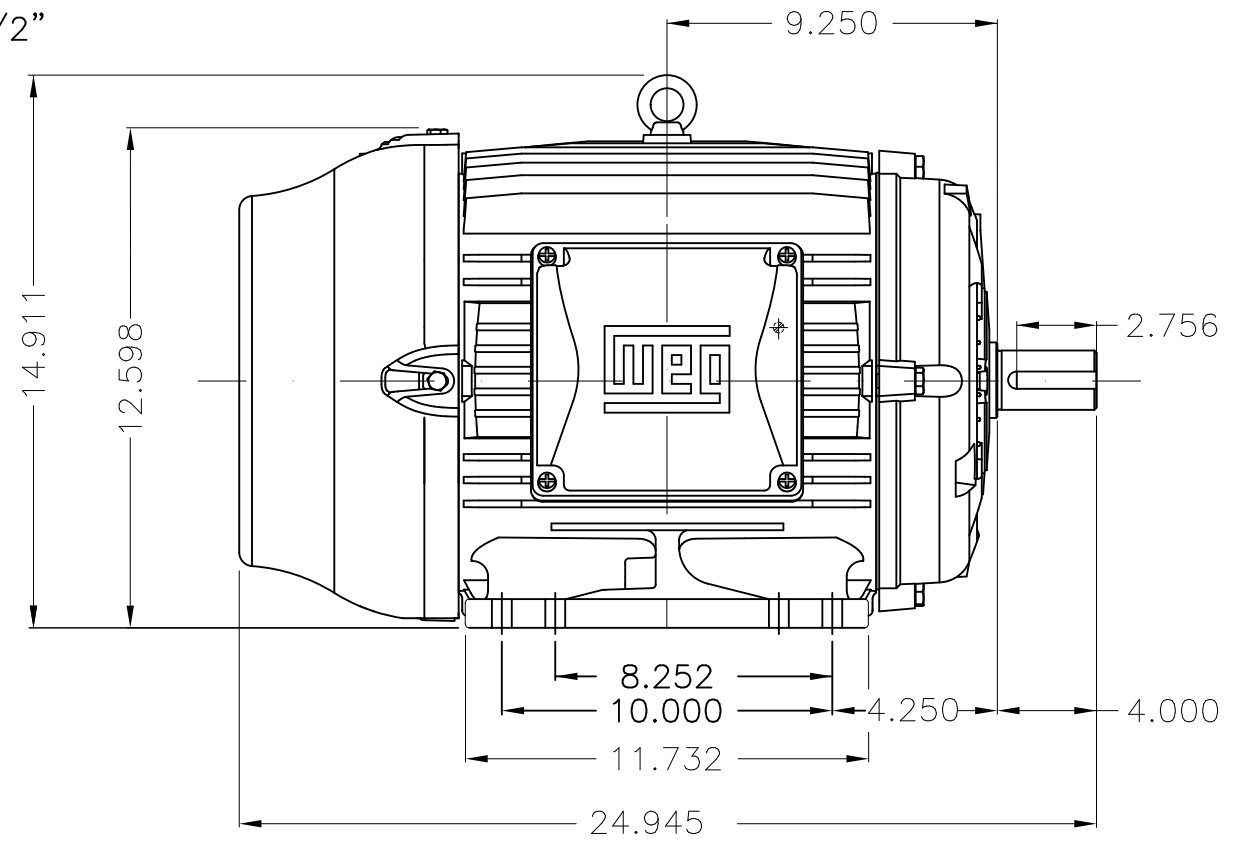
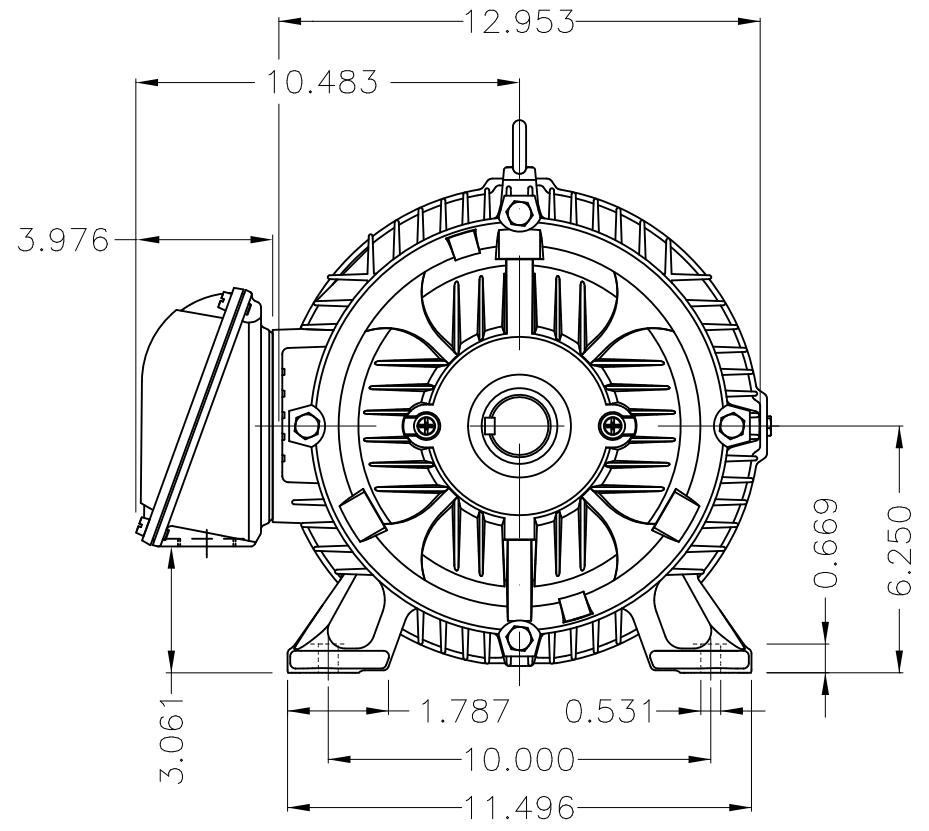


Dimensões em polegada
Dimensions in inches

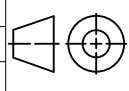
THIS IS AN UPDATED REVISION, THE
PREVIOUS ONE MUST BE DISREGARDED.



Grounding for leads 5.2–25 mm² / 10–4 AWG



Color RAL 6002
Painting plan 203A
Mounting B3R(D)

ECM	LOC	SUMMARY OF MODIFICATIONS			EXECUTED	CHECKED	RELEASED	DATE	VER
EXECUTED	USERADMIN	 THREE PHASE W22 MOTOR-SUPER PREMIUM EFF FRAME 254/6T IP55 TEFC WEG code: 11792072							
CHECKED									
RELEASED									
REL DT	24.07.2017	WMO	Jaragua do Sul	Product Engineering	SHEET	1 / 1			

20 HP 02 Poles 60Hz

A

