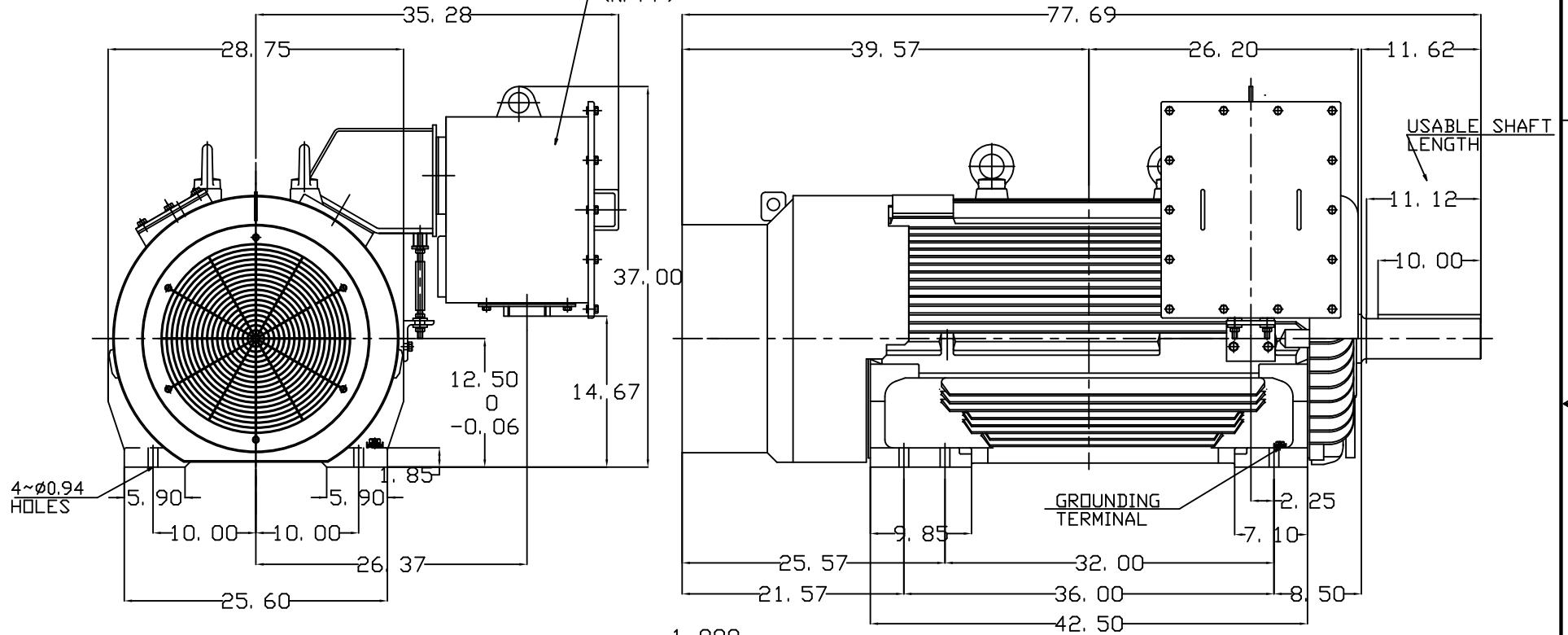


TYPE	OUTPUT		POLE	TIME RATING	VOLTAGE V	Hz	SYN.SPEED R.P.M
	HP.	KW.					
AEHH8N	500	373	4	CONT.	460	60	1800

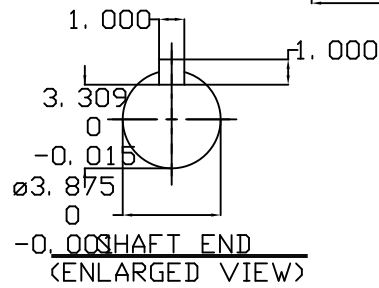
TOTALLY ENCLOSED FAN-COOLED TYPE, SQUIRREL-CAGE ROTOR

PRIMARY T-BOX
(NPT4")



NOTE:

1. DIMENSIONS IN inch
2. FRAME NO. 5011C(5010C)
3. F CLASS INSULATION, S.F.1.15
4. FOR DIRECT FLEXIBLE COUPLING
5. ENCLOSURE: IP55
6. BEARING SIZE: DRIVE-END NU324
OPP. DRIVE-END 6320
7. MOTOR APPROX. WEIGHT: 5000 lb



DATE	OUTLINE DIMENSIONS
CATALOG # EP5004R	3-PHASE INDUCTION MOTOR
DWN. Y.DU MAR-20-2014	DWG NO. REV:00
CHKD. W.CHENG MAR-29-2014	4B040C012
APPD. C.SHIH MAR-29-2014	

TECO Westinghouse