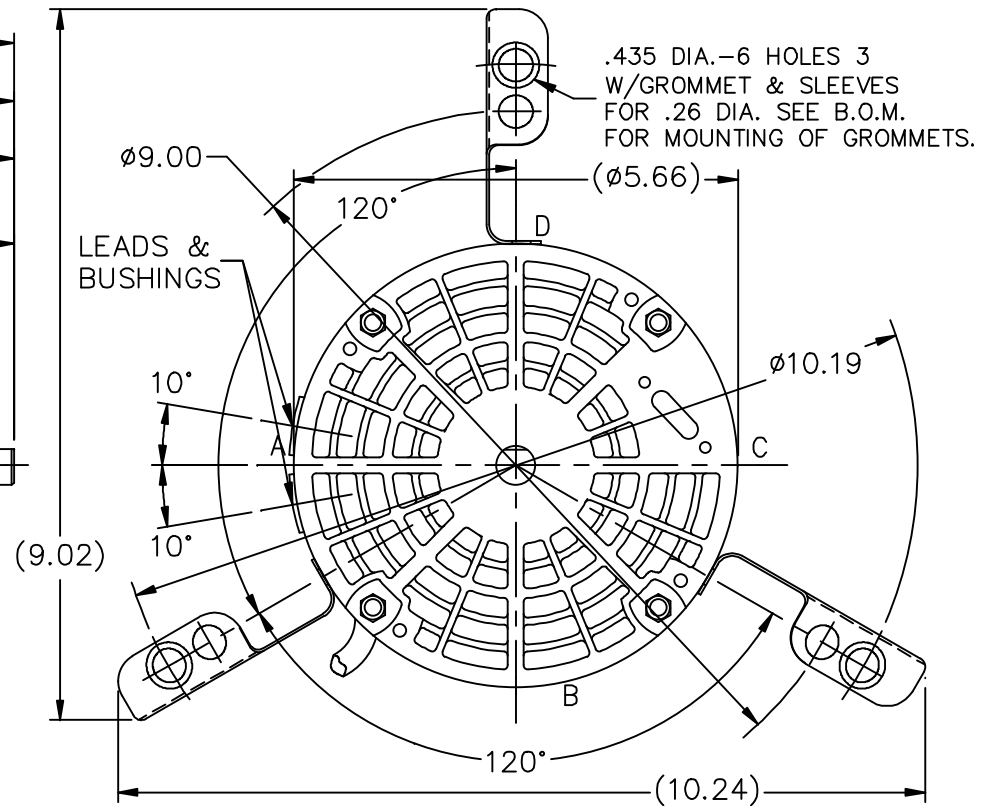
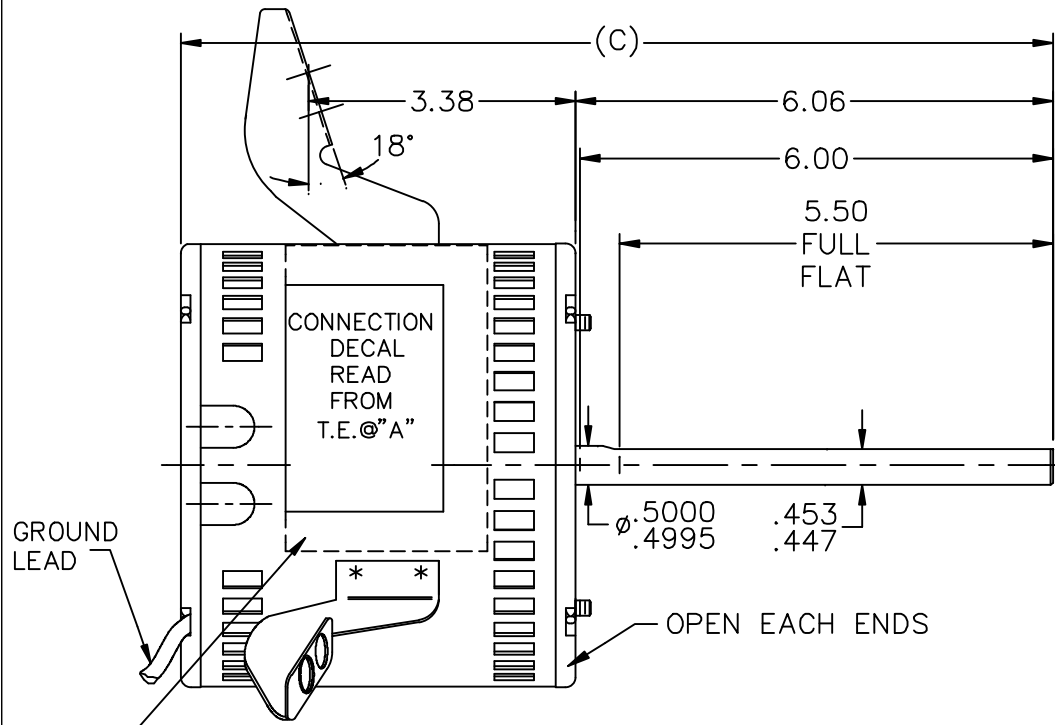


TERM. END



N.P. LOC'D @ 45° CW OF 'C' READ FROM T.E. WHEN TWO PIECE N.P. IS USED LOCATE 1/2" ON EACH SIDE OF LUG

LEAD DESCRIPTION:

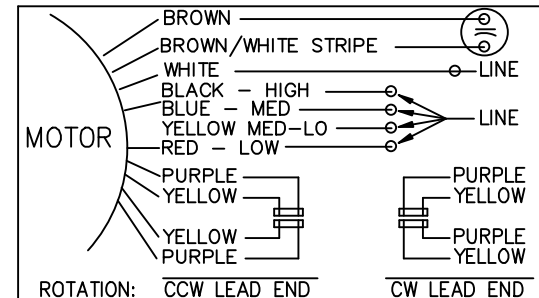
1 WHITE, 1 BLACK, 1 YELLOW, 1 BLUE, & 1 RED LEAD WITH .50 BARE WIRE STRIP. 30.00" LONG.

2 BROWN LEADS WITH .25 FLAG-TYPE QUICK CONNECTS, 30.00" LONG. BROWN/WHITE MARKED LEAD IS COMMON TO WHITE.

REVERSING LEADS ARE MOLDED INTO MATING PULL-APART PLUGS. 1 YELLOW & 1 PURPLE LEAD PER PLUG. 5.00" LONG.

GREEN LEAD WITH TERM. FOR #10 SCREW 12.00" LONG.

DASH	FR	C
375	48	10.31
400	48	10.56
450	48	11.06
475	48	11.31



ROTATION: CCW LEAD END

CW LEAD END

				TOLERANCES UNLESS SPECIFIED		MARATHON ELECTRIC	DRAWN SP 07-23-2008			
				DEC.	INCHES		CHK NB 07-23-2008			
				.X	±.1	TITLE OUTLINE	APPD SP 07-23-2008	SCALE 13=32		
				.XX	±.03		REF SS403519			
				.XXX	±.005		FMF 08-2127			
				.XXXX	±.0005		PREV			
NO.	REVISION	BY & DATE	CHK	ANG	±7'30"	FINISH				
			RFP	07-23-2008		CAD FILE SS403750	SIZE A	DRAWING NO. SS403750	PAGE OF	REV.
						DIST WP				

THIS DRAWING IN DESIGN AND DETAIL IS OUR PROPERTY AND MUST NOT BE USED EXCEPT IN CONNECTION WITH OUR WORK ALL RIGHTS OF DESIGN AND INVENTION ARE RESERVED THIS IS AN ELECTRONICALLY GENERATED DOCUMENT - DO NOT SCALE THIS PRINT