

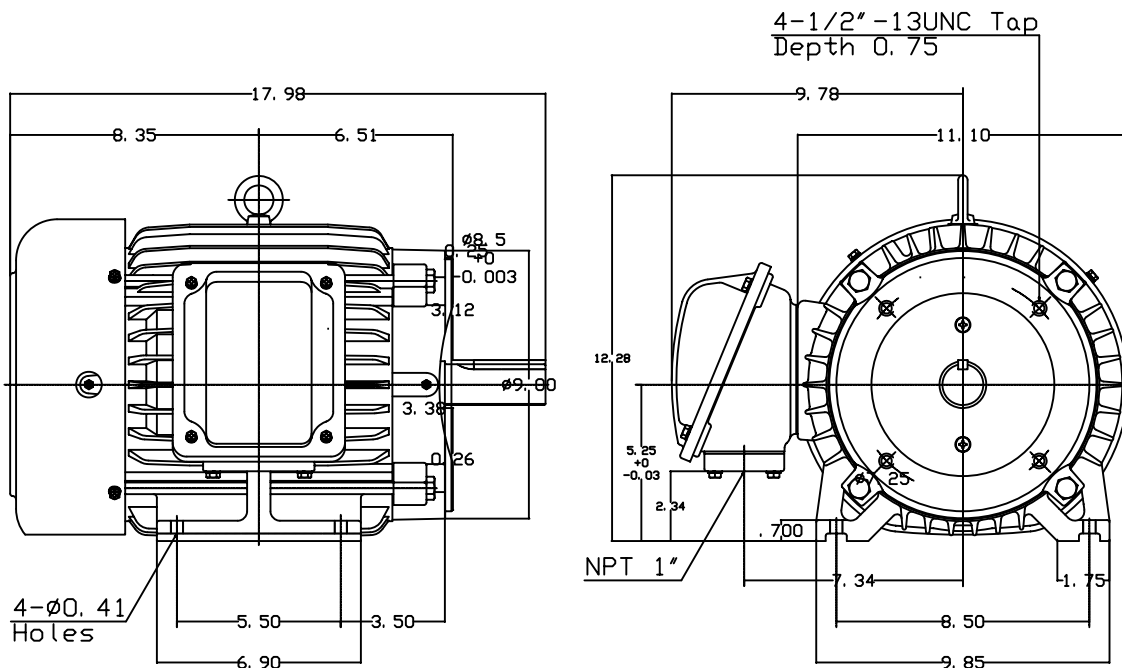
DATE  
Sept. 25, 2006  
Cat. #: EPO036C

OUTLINE DIMENSIONS  
3-PHASE INDUCTION MOTOR

MOTOR TYPE:  
AEHH8N-CF  
FRAME NO. 213TC

| Pole | HP     | kW           | Hz            | VOLT       | Syn. Speed<br>r/min(rpm) |
|------|--------|--------------|---------------|------------|--------------------------|
| 6    | 3      | 2.3          | 60            | 230/460    | 1200                     |
| Ins  | Rating | Dimension in | Approx Weight | Bearings   |                          |
| F    | CONT.  | inches       | 175           | DE: 6308ZZ | NDE: 6306ZZ              |

Totally Enclosed Fan-Cooled Type. Squirrel-Cage Rotor.



|       |             |          |
|-------|-------------|----------|
| DWN.  | F. C. HWU   | 07-22-97 |
| CHKD. | C. S. LO    | 07-23-97 |
| APPD. | Y. B. HUANG | 07-23-97 |

TEC   Westinghouse

DWG NO.  
31049J809060