

DATE
February 16, 2004

OUTLINE DIMENSIONS
3-PHASE INDUCTION MOTOR

MODEL TYPE:
ASGA

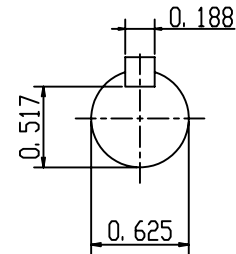
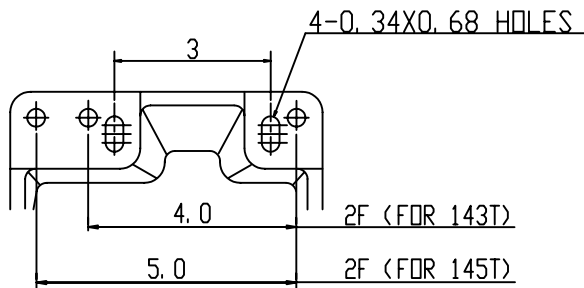
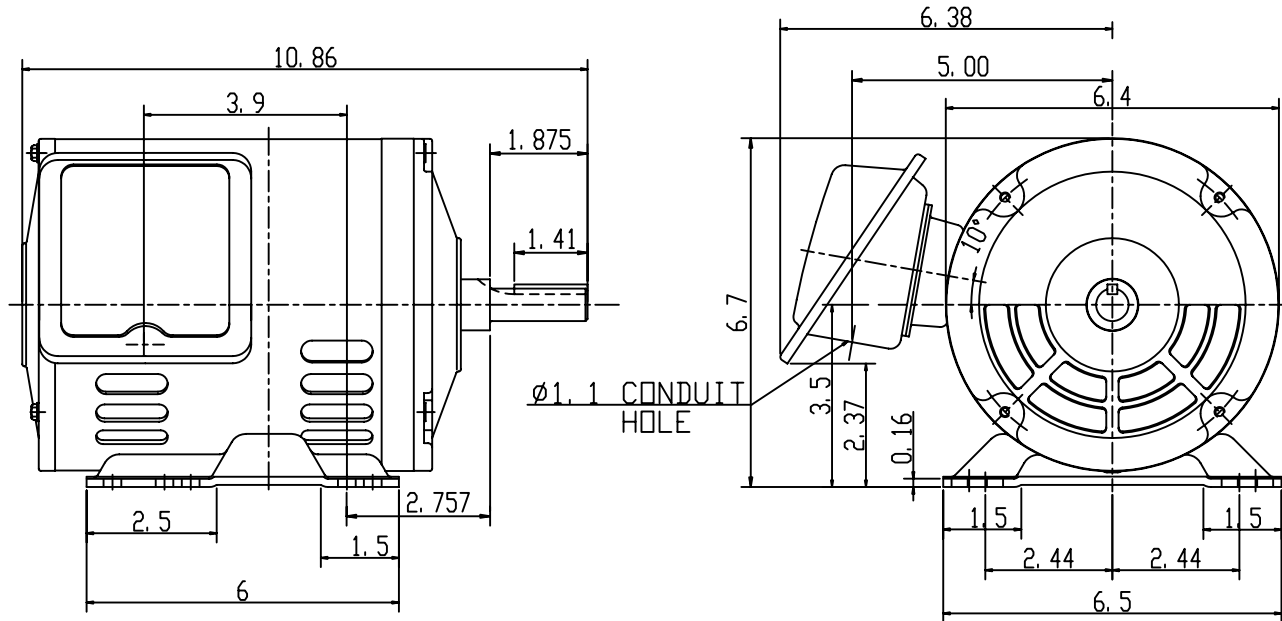
CATALOG NO.
DSO/36

FRAME NO. A56

| Pole | HP | KW | Hz | VOLT | Syn. Speed R. P. M |
|------|-----|-----|----|---------|-----------------------|
| 6 | 1/3 | .25 | 60 | 230/460 | 1200 |

| Ins. | Rating | Dimensions in | Approx Weight | Bearings |
|------|--------|---------------|---------------|------------------------|
| F | CONT. | inch | 21.12 lbs | DE: 6205ZZ NDE: 6204ZZ |

OPEN DRIP - PROOF



SCALE=3: 1

| | | |
|-------|------------|----------|
| APPD. | W. H. TSAI | 07 21 03 |
| CHKD. | J. B. CHEN | 07 20 03 |
| DWN. | Y. Y. CHEN | 07 20 03 |

TEC   Westinghouse

DWG NO.
31049Z105
0823