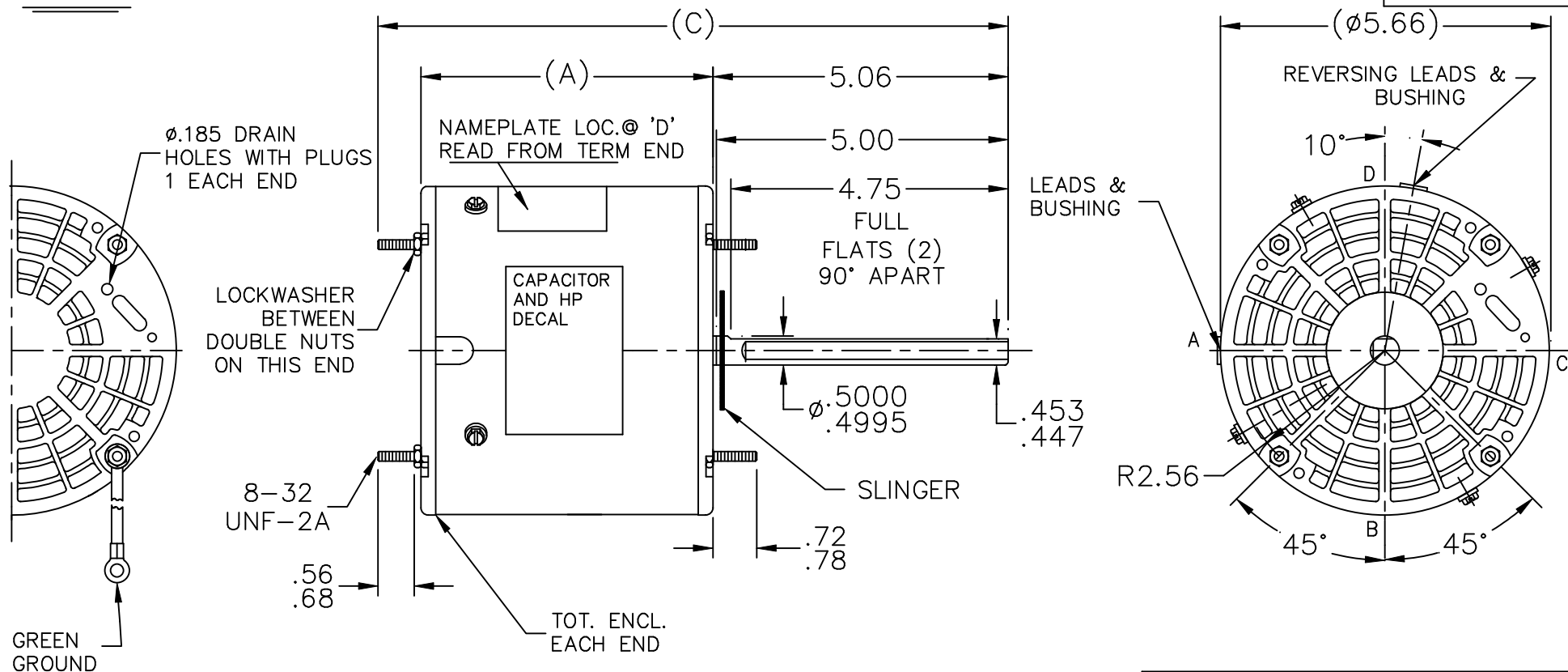


TERM. END

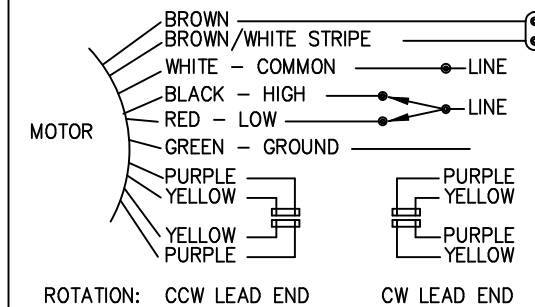


LEAD DESCRIPTION:

1 WHITE, 1 BLACK, 1 RED, 1 BROWN AND 1 BROWN WITH WHITE MARK ALL WITH .25 FLAG TYPE QUICK CONNECTS 36.00" LONG, EXIT MOTOR @ 'A'.

PURPLE AND YELLOW REVERSING LEADS ARE MOLDED INTO MATING PULL APART PLUGS 5.00" LONG, EXIT MOTOR @ 10° FROM 'D'.

GREEN GROUND WITH TERM. FOR #10 SCREW 12.00" LONG.



DASH	FR	C	A
450	48Y	10.80	5.00
500	48Y	11.30	5.50

				TOLERANCES UNLESS SPECIFIED		MARATHON ELECTRIC		DRAWN RDH 10/14/2003	
				DEC.	INCHES			CHK	ML 10/15/2003
				.X	±.1			APPD	MJS 10/15/2003
				.XX	±.03	TITLE OUTLINE		SCALE	3=8
2	CLARIFY LOCKWASHER LOCATION	CN 29200-3522	ERH 03-31-2004	MJS	.XXX	±.005	48 FR.	REF	
1	REVISED LEAD DESCRIPTION	CN 29200-3352	NJS 01-07-2004	MJS	.XXXX	±.0005	MAT'L.	FMF	MU48494
NO.	REVISION	BY & DATE	CHK	ANG	±7'30"	FINISH		PREV	
				RFP	CAD FILE ss403362			SIZE	DRAWING NO. PAGE OF REV.
				DIST	WP	A		SS403362	2

THIS DRAWING IN DESIGN AND DETAIL IS OUR PROPERTY AND MUST NOT BE USED EXCEPT IN CONNECTION WITH OUR WORK ALL RIGHTS OF DESIGN AND INVENTION ARE RESERVED THIS IS AN ELECTRONICALLY GENERATED DOCUMENT - DO NOT SCALE THIS PRINT

ERROR: syntaxerror
OFFENDING COMMAND: --nostringval--

STACK:

/im
-savelevel-