

DATE
FEBRUARY 23, 2007
CATALOG NO.
DHP0034

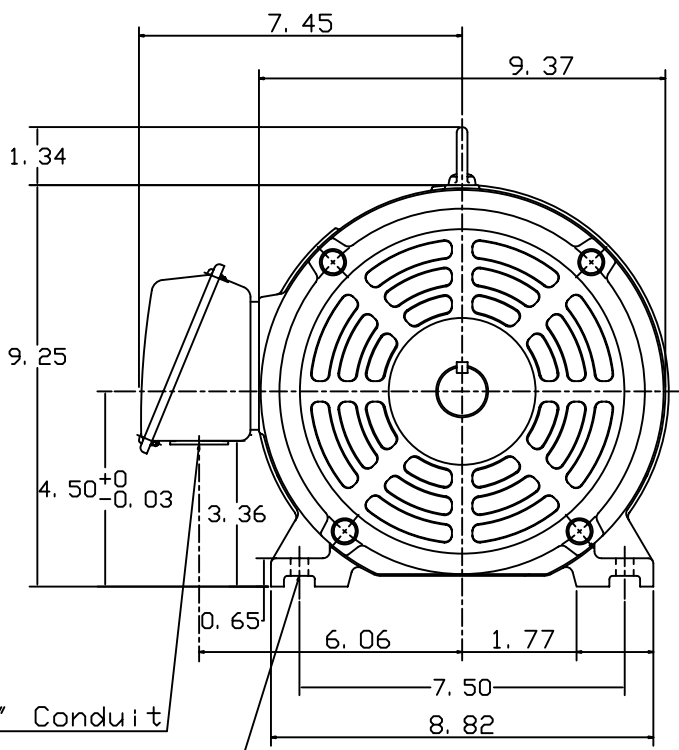
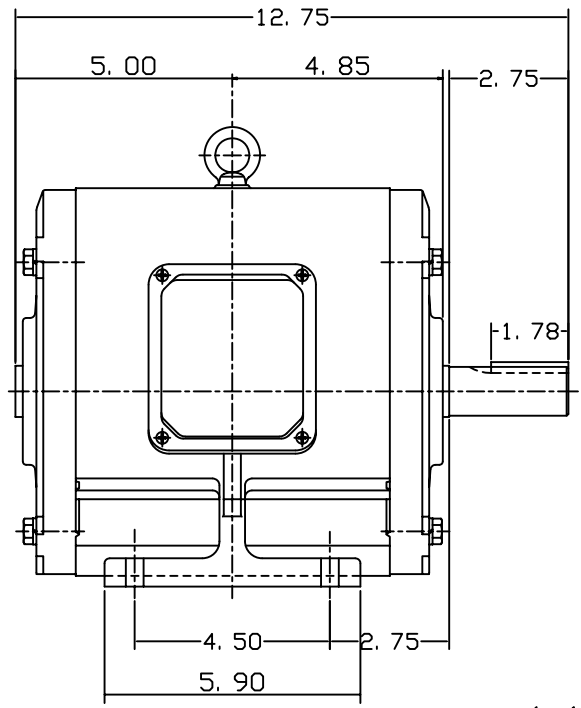
OUTLINE DIMENSIONS
3-PHASE INDUCTION MOTOR

MOTOR TYPE:
ASHH
FRAME NO. 182T

| Pole | HP | KW | Hz | VOLT | Syn. Speed RPM |
|------|----|-----|----|---------|-------------------|
| 4 | 3 | 2.2 | 60 | 230/460 | 1800 |

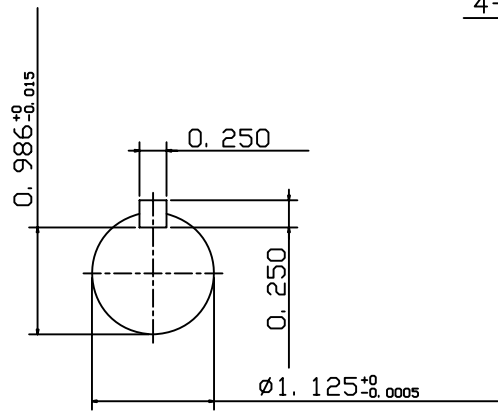
| Ins | Rating | Dimension in | Approx Weight | Bearings |
|-----|--------|--------------|---------------|------------------------|
| F | CONT. | inch | 95 lbs. | DE: 6306ZZ NDE: 6306ZZ |

Open Protected Drip-Proof. Squirrel-cage Rotor.



1.1" Conduit

4-∅0.41 Holes



| | | |
|-------|-------------|----------|
| DWN. | J. H. LIANG | 12-22-98 |
| CHKD. | C. S. LO | 05-20-99 |
| APPD. | Y. B. HUANG | 05-20-99 |



DWG NO.
31057H379001