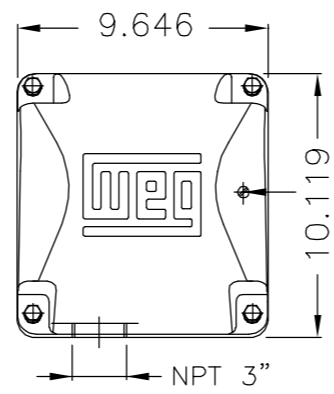


No reproduction of this drawing is allowed without written permission of WEG Motores

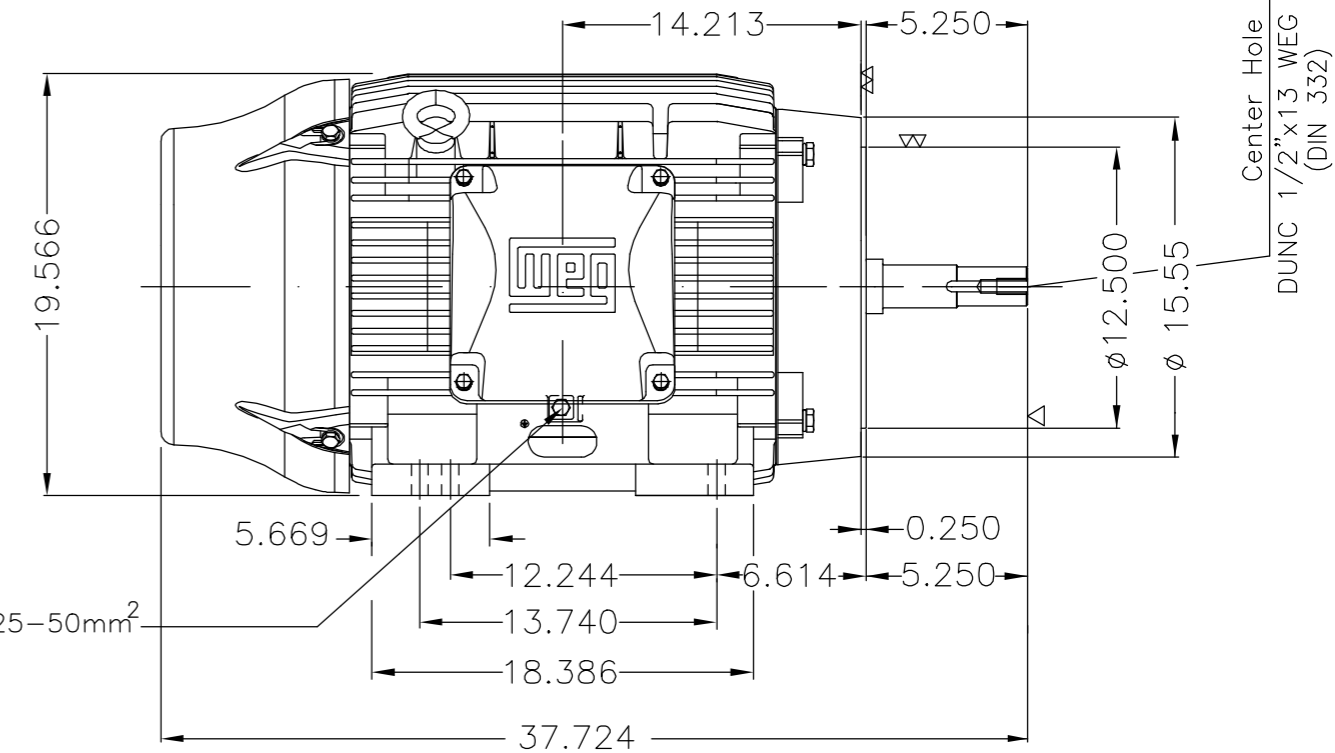
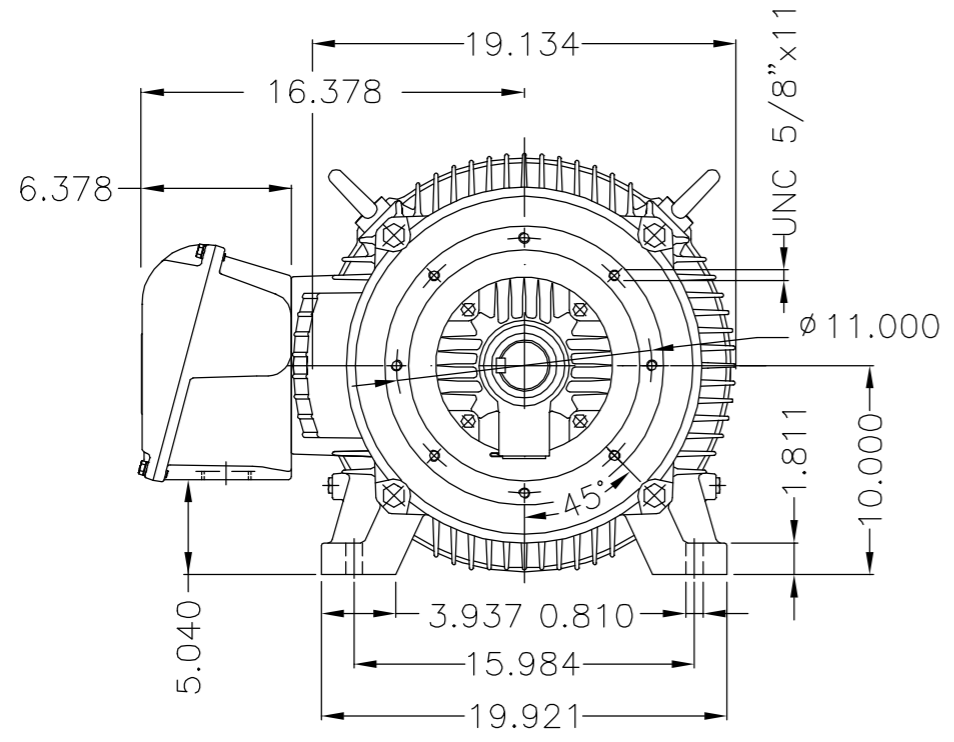
EIXO		Dimensões em polegadas Dimensions in inches
PADRÃO		
OPCIONAL		
ESPECIAL	X	

THIS IS AN UPDATED REVISION, THE PREVIOUS ONE MUST BE DISREGARDED.

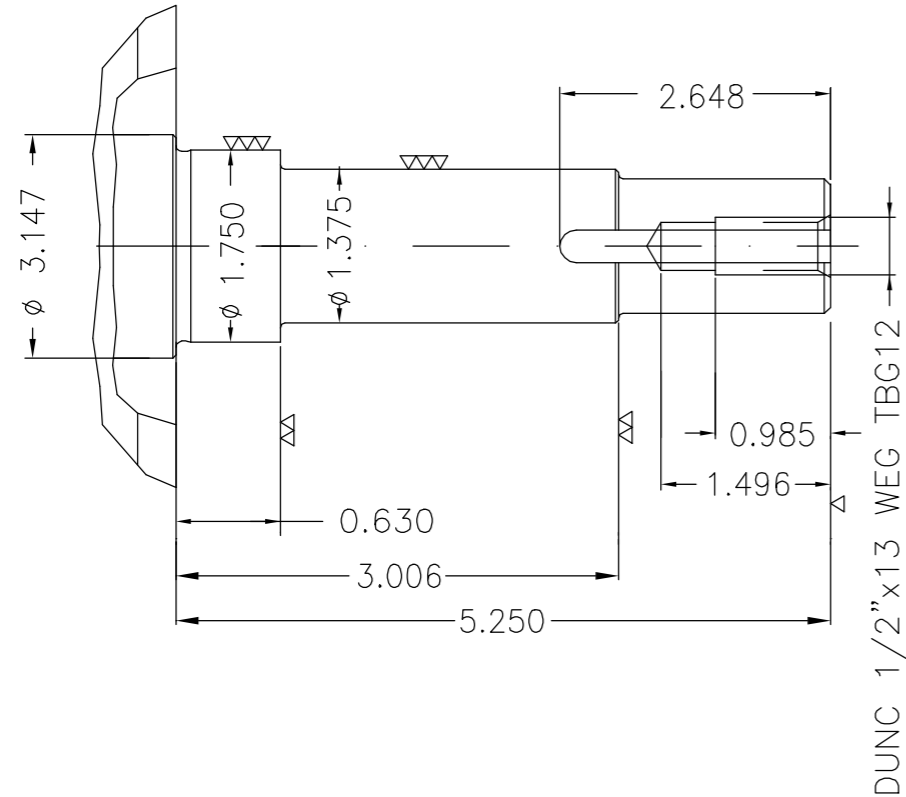


Main terminal box

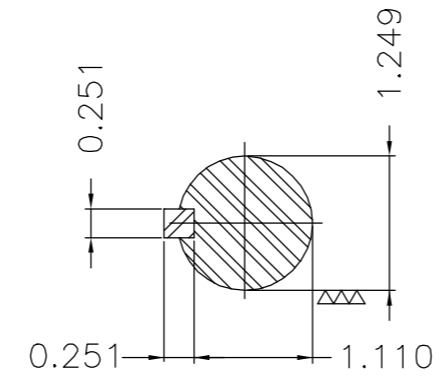
Grounding for leads 25-50mm<sup>2</sup>



Grounding for leads 25-50mm<sup>2</sup>



DUNC 1/2"x13 WEG TBG12



DE Shaft End

Material do eixo - AISI/SAE 4140 / Shaft material - AISI/SAE 4140  
 Vedação - retentor com mola / Sealing - oil seal ring  
 Plano de pintura 203A / Painting plan 203A  
 Forma construtiva B34D / Mounting B34R(D)

**WEG ELECTRIC CORPORATION**

500001265030	ALT. CONF. CLAIM 414539852	JOAOVICTOR	DIEGOU	27.01.2017	03			
500001037260	REMOVIDO REPRESENTAÇÃO ATERR	ALESOMZ	ODORIZZI	18.07.2015	02			
ECM	LOC	SUMMARY OF MODIFICATIONS		EXECUTED	CHECKED	RELEASED	DATE	VER
EXECUTED	SCARMAGNANI	THREE PHASE W22 MOTOR - NEMA PREMIUM EFF		10001013858				
CHECKED		FRAME 404/5TCZ IP55		000   03				
RELEASED	ALCIDESZ			SHEET		1 / 1		
REL DT	25.10.2010	WMO	JARAGUÁ DO SUL	ENG. MOTORES INDUSTRIAIS				

100 HP 04 Poles 60Hz 406362332/0

UNCONTROLLED COPY RELEASED ZME A3