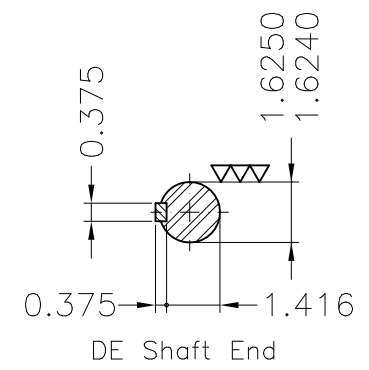
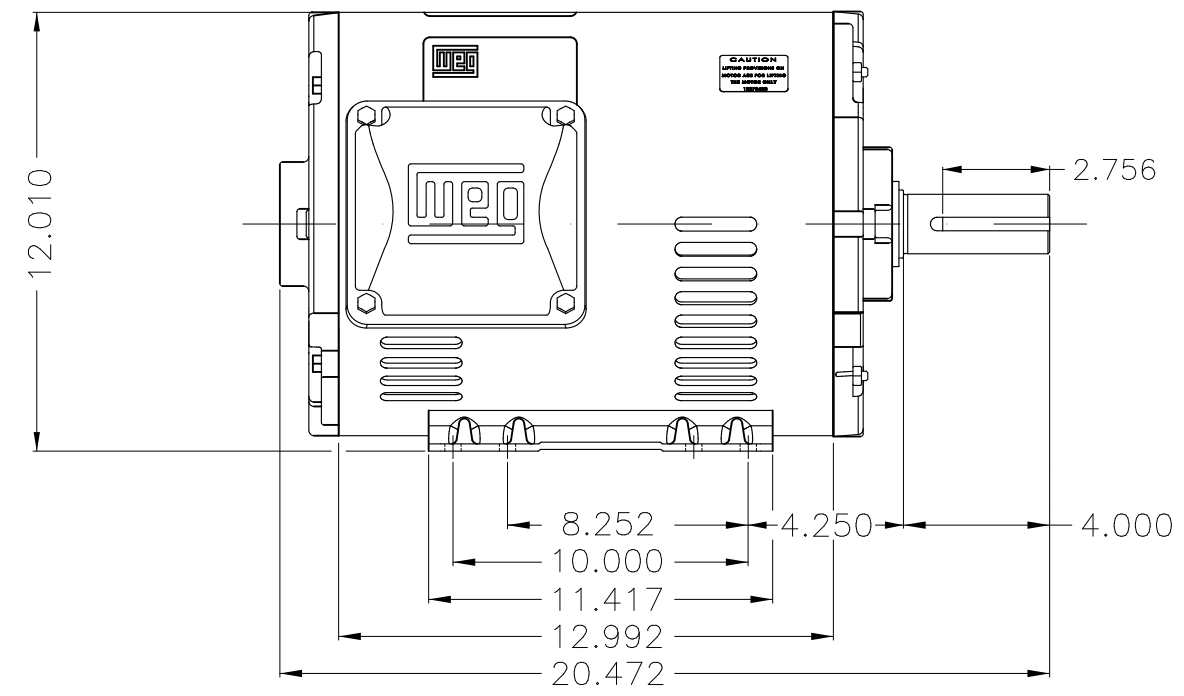
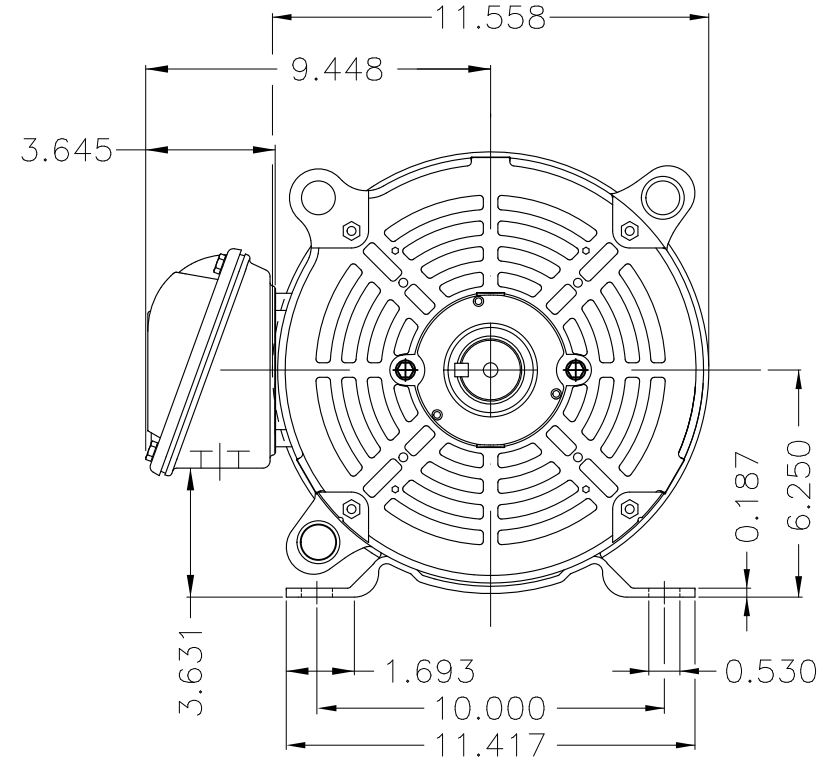
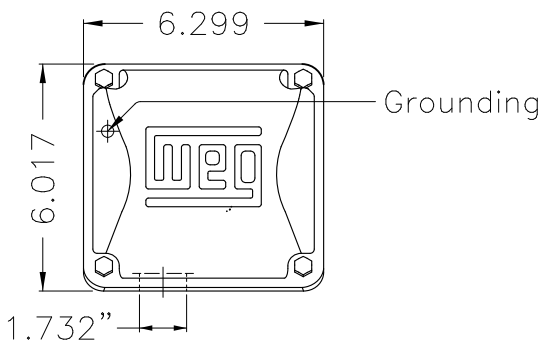


Dimensões em polegada  
Dimensions in inches

THIS IS AN UPDATED REVISION, THE  
PREVIOUS ONE MUST BE DISREGARDED.



- Brush holder Kit AEGIS internal DE
- Bearing cap
- Color Munsell N 1 matte black
- Painting plan 207N
- Mounting F-1/B3R(D)

| ECM      | LOC        | SUMMARY OF MODIFICATIONS                | EXECUTED            | CHECKED | RELEASED | DATE | VER |
|----------|------------|---|---------------------|---------|----------|------|-----|
| EXECUTED | USERADMIN  | THREE PHASE ODP ROLLED STEEL NEMA PREM. |                     |         |          |      |     |
| CHECKED  |            | FRAME 254/6T ODP                        |                     |         |          |      |     |
| RELEASED |            | WEG code: 12799396                      |                     |         |          |      |     |
| REL DT   | 24.07.2017 | WMO Jaragua do Sul                      | Product Engineering | SHEET   | 1 / 1    |      |     |

7.5 HP 06 Poles 60Hz

