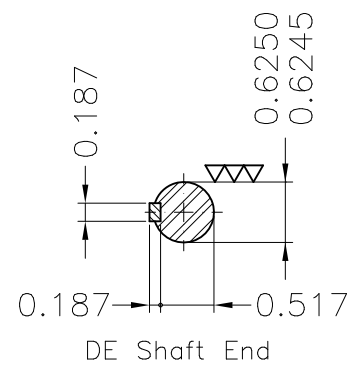
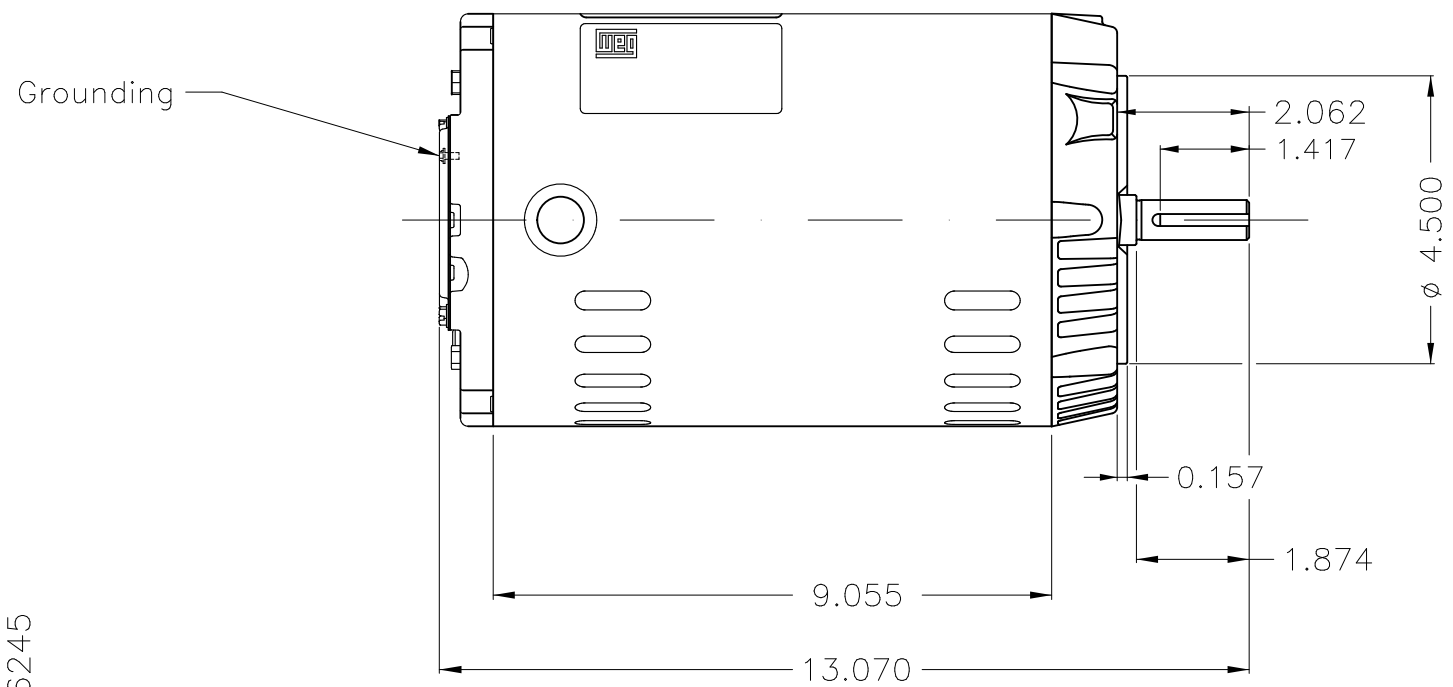
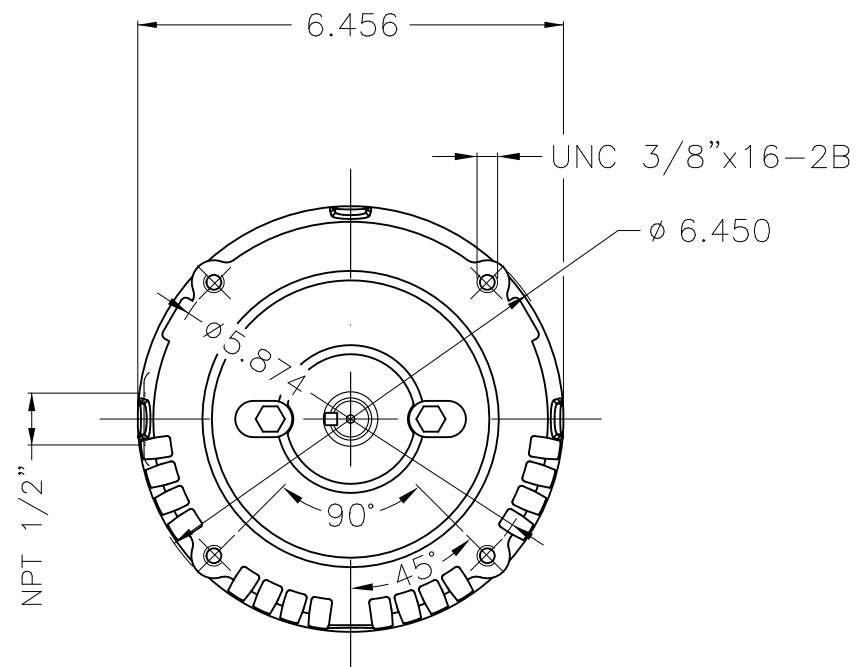


Dimensões em polegada
Dimensions in inches

THIS IS AN UPDATED REVISION, THE
PREVIOUS ONE MUST BE DISREGARDED.



Without coating						
Mounting F-1/B14R(D)						
ECM	LOC	SUMMARY OF MODIFICATIONS	EXECUTED	CHECKED	RELEASED	DATE VER
EXECUTED	USERADMIN	THREE PHASE ODP ROLLED STEEL PREM. EFF. FRAME 56C ODP WEG code: 12812241				
CHECKED						
RELEASED						
REL DT	24.07.2017	WMO Jaragua do Sul	Product Engineering	SHEET	1 / 1	

3 HP 02 Poles 60Hz

A

WEG's property. Forbidden reproduction without previous authorization.

ZME A3