

Product Information Packet

November 7, 2016

Data shown is for the current revision model #. Ensure your nameplate model # matches.

Model Number:	5KS324ATE204A
Catalog Number:	E7310
Instruction Manual:	GEI-M1023
Connection Diagram:	GEM2034E-FIG7
Outline Drawing:	358B6218AA

Accessory Connection Diagrams

Bearing Thermocouple:	None	Heater:	None
RTD:	None	Thermistor:	None
Thermostat:	None	Winding Thermocouple:	None
Bearing RTD:	None		

Table of Contents

Specification	01
Performance Characteristics	02
Outline Drawing	03
Connection Drawing(s)	04



Marks:

MODEL NUMBER:	5KS324ATE204A	Estimated Weight:	550 Lbs
Outline Drawing:	358B6218AA	Time Rating:	CONT
Connection Diagram:	GEM2034E-FIG7	Enclosure:	DP
Instruction Book:	GEI-M1023	Encl Construction:	OPEN
Design Code:	32AD1005B	Ambient Max(°C):	40
Type:	KS	Alt Ambient Max(°C):	--
Frame:	324T	Insulation Class:	F
Phases:	3	NEMA Design:	A
Poles:	4	Nominal Efficiency:	94.1 %
Output Power:	40HP 29.6KW	Guaranteed Efficiency:	93.0
RPM:	1780	3/4 Load Efficiency:	94.3
Voltage:	575	KVA Code:	J
Hertz:	60	Max KVAR:	13.3
Amps - FL:	38.1	Power Factor:	81.5
Service Factor:	1.15	Bearing - DE:	6312
Alt Service Factor:	--	Bearing - ODE:	6212

Enclosure is Dripproof

Stamped Nameplate Notes:**Additional Information:**

4 POLE DRIP PROOF
 CONDUIT BOX MATERIAL: STAMPED STEEL
 CONDUIT BOX VOL: 253 CU IN
 NO. OF MOTOR LEADS: 3
 NOT USEABLE AT 200 VOLTS
 GREASE TYPE:CHEVRON SRI-2 POLYUREA
 SOUND POWER DATA: 75.1
 INVERTER DUTY PER NEMA MG1 PART 31
 FOR VARIABLE TORQUE LOADS

Performance Characteristics

1st Winding 1st Connection

Design: 32AD1005B

Marks:

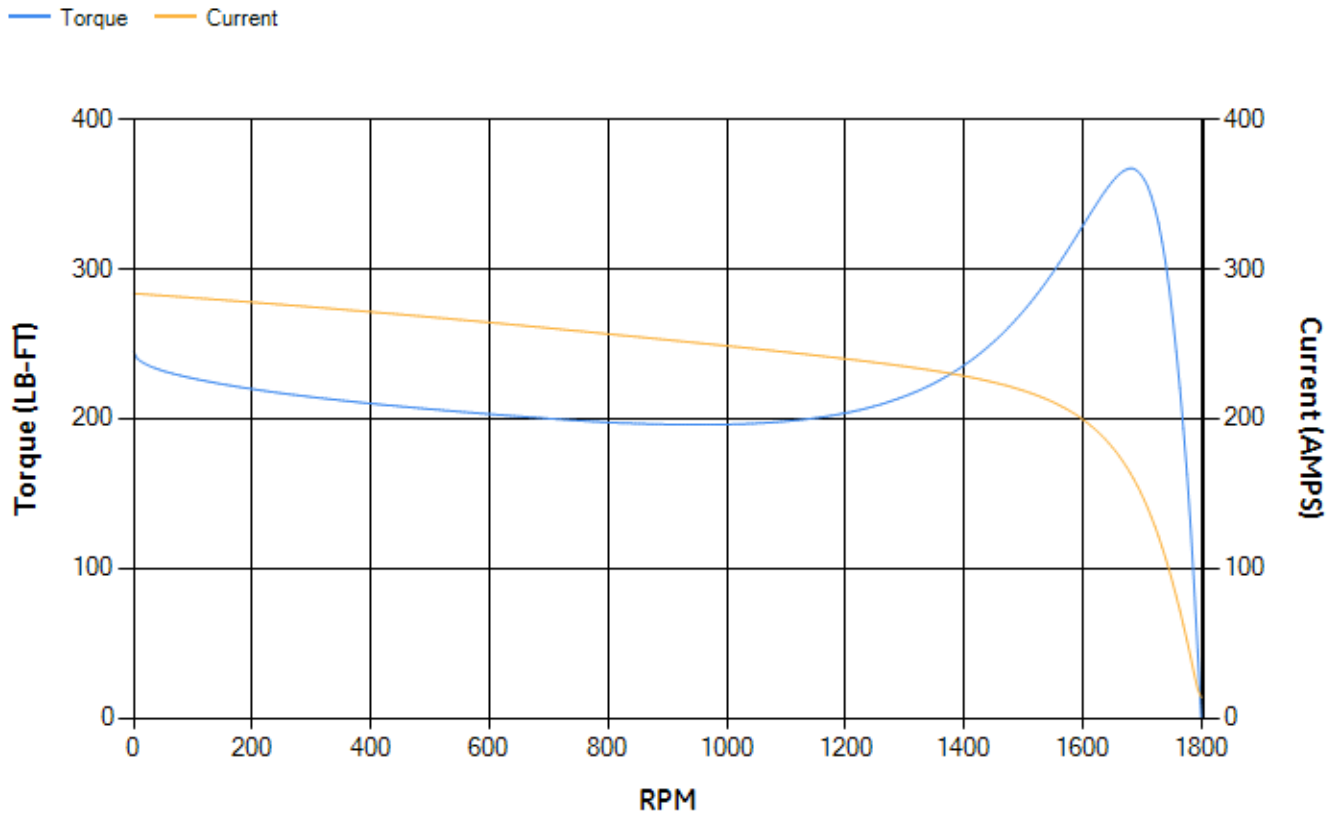
LOAD %	125.0	115.0	100.0	75.0	50.0	25.0	0.0
% EFF	93.76	93.98	94.42	94.29	93.56	90	0.00
% PF	84.68	84.42	83.53	80.02	71.4	50.22	5.45
AMPS	47.16	43.42	37.98	29.77	22.42	16.57	13.65

TORQ(FL)#FT	117.93	TORQ(LR)%FL	207.55	TORQ(BD)%FL	310.53
AMPS(LR)	283.65	PF AT START	0.32		

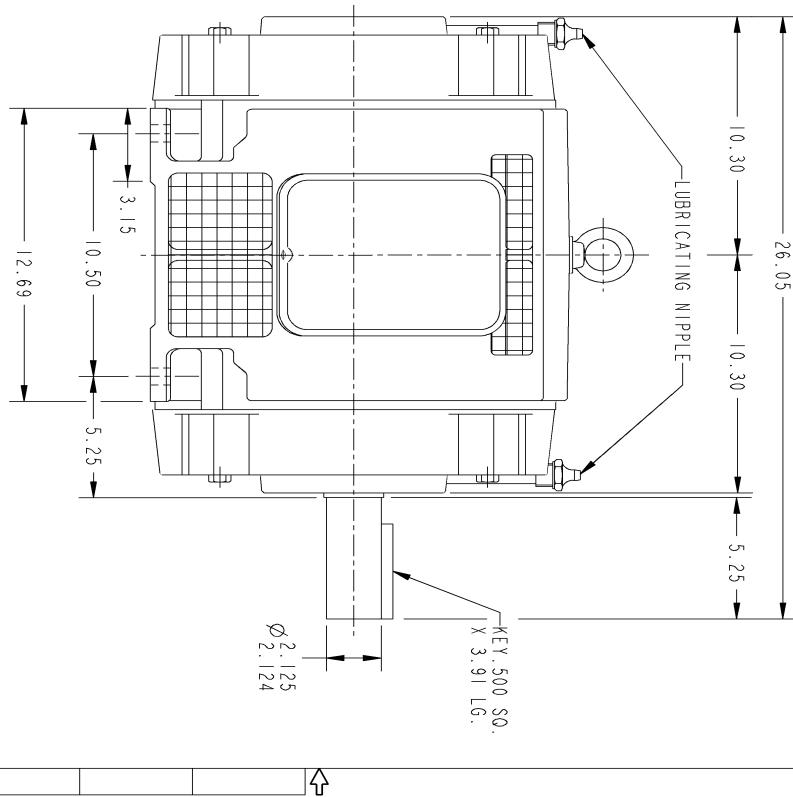
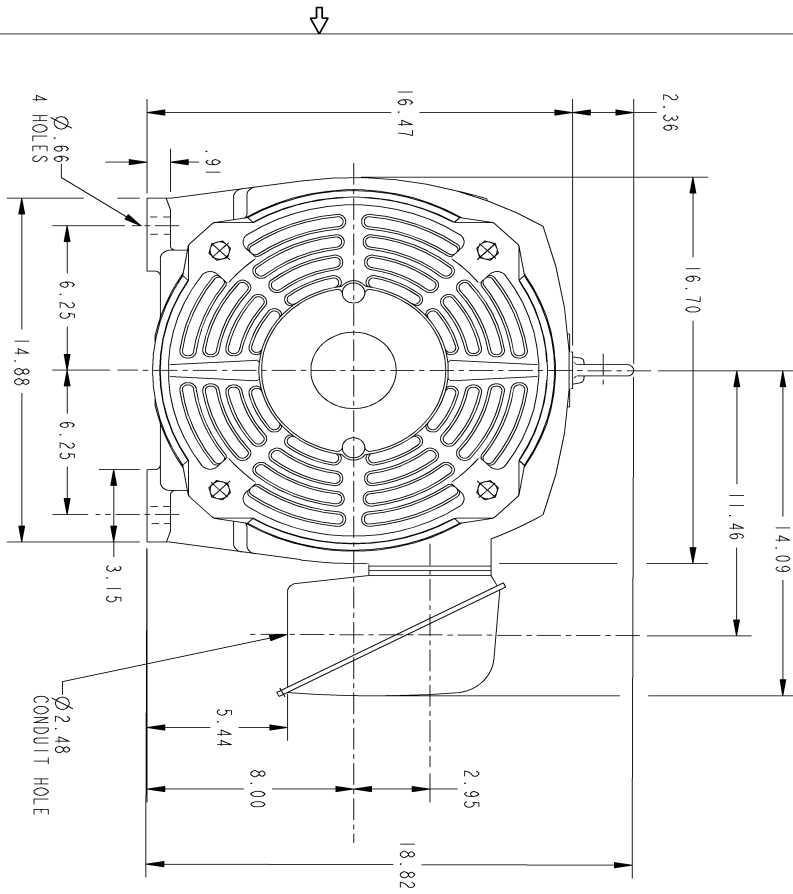
This motor is capable of two cold or one hot start with a maximum connected load inertia of 1187 Lb-Ft Sq (49.97 Kg-meter Sq)at 100% voltage, where the load torque varies with the square of the speed. Acceleration time with maximum inertia and the above load type is 37 seconds. Safe stall time at 100% voltage is 63 seconds cold, 53 seconds hot. Rotor inertia is 7.11 Lb-Ft Sq (0.3 Kg-meter Sq).

Open Circuit A-C:	0.67	Short Circuit D-C:	0.023
Short Circuit A-C:	0.03	X/R Ratio:	8.553
Stator Slots:	48	Rotor Slots:	40

Speed Torque Current Curve (First Connection, First Speed)



Marks:



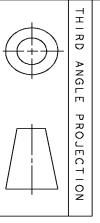
GE PROPRIETARY INFORMATION
 This document is the property of General Electric Company ("GE") and contains proprietary information of GE. This document is loaned on the express condition that you will not disseminate, distribute, copy, or otherwise use this document for any purpose other than that for which it was loaned. This document shall be returned to GE upon its request. Any unauthorized use, reproduction, or distribution of this document is strictly prohibited. GE reserves the right to change specifications without notice, and specifications are subject to change without notice.

REV.	DESCRIPTION	DATE	APPROVED
1	ISAAC 07-0770	05/03/07	R. KOHNE
2	ISAAC 15-0375	04/22/15	HARIKIRAN

SIZE	DRAWING NO.	SHEET	REV.
B	358B6218AA	2	2

NOTES :

1. CONDUIT BOX MAY BE PLACED WITH THE ENTRANCE DOWN, UP OR ON EITHER SIDE.
2. F-1 ASW AS SHOWN.
3. F-2 ASW - HAS CONDUIT BOX ON OPPOSITE SIDE.



UNLESS OTHERWISE SPECIFIED:		SIGNATURES		DATE	
DIMENSIONS ARE IN INCHES	DRAWN	P. RAJU	03/07/03		
TOLERANCES ARE:	CHECKED	M. FUTTER	03/04/03		
2 PL DECIMALS ± 0.02	ENGR				
3 PL DECIMALS ± 0.005	ISSUED	PRADHAKAR	03/04/03		
ANGLES ± 0.5	APPLIED PRACTICES				
MATERIAL:		SCALE: DRAWING SCALE		SHEET 1 OF 1	
GENERAL ELECTRIC COMPANY Fort Wayne, Indiana		324T - DRIPPOOF		REV. 2	
GE Industrial Systems		358B6218AA		DISTRIBUTION:	
OUTLINE		358B6218AA			

Marks:

Connection Diagram
GEM2034E-FIG7

