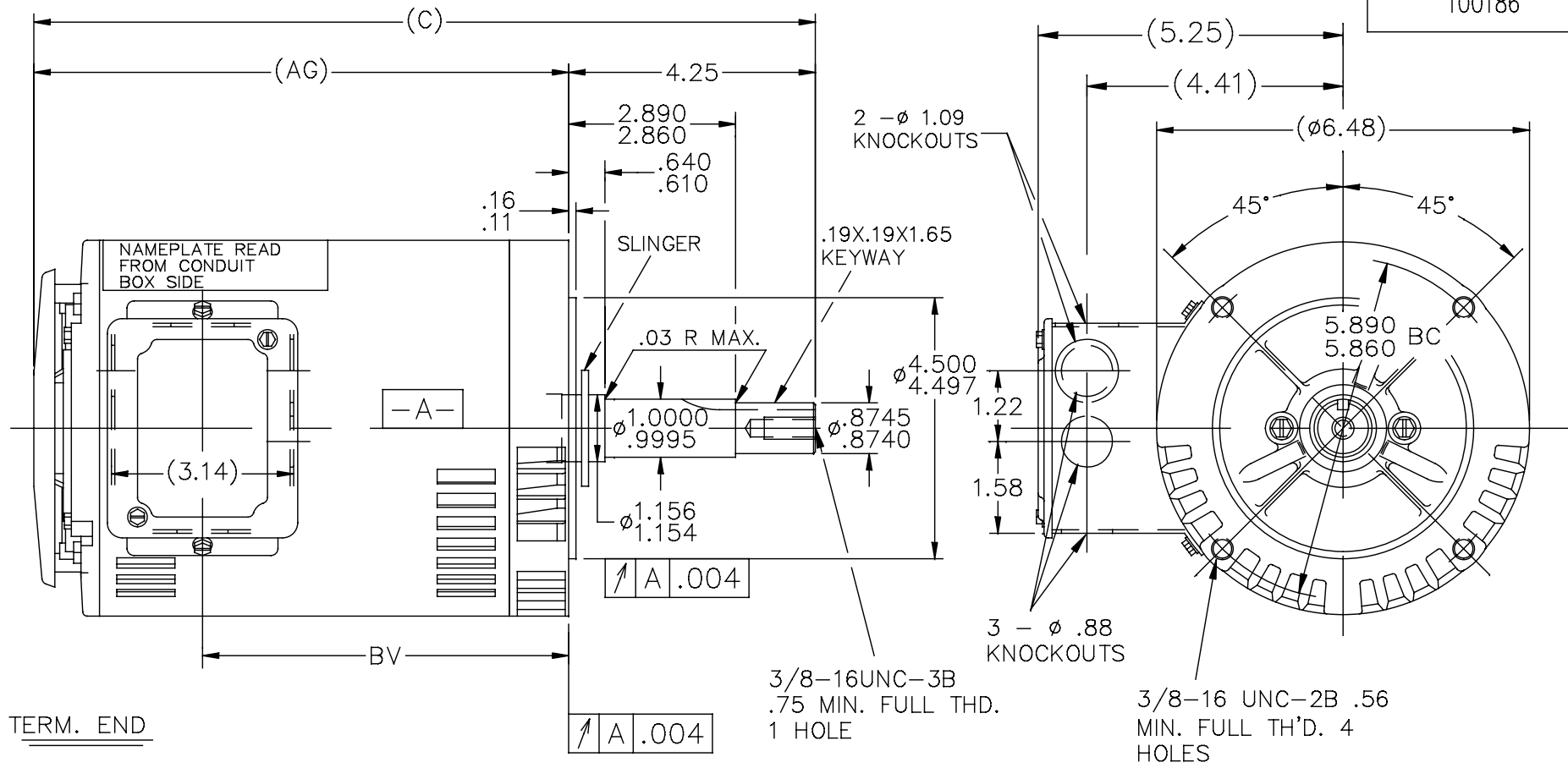


100186



DASH	FRAME	C	AG	BV	DASH	FRAME	C	AG	BV
					806	140	14.42	10.17	7.31
656	140	12.92	8.67	5.81	856	"	14.92	10.67	7.81
706	140	13.42	9.17	6.31	906	"	15.42	11.17	8.31
756	140	13.92	9.67	6.81	956	"	15.92	11.67	8.81

NOTE: CONDUIT BOX CAN BE ROTATED 180°

6 UPDATED TO REGAL LOGO SAJ 07-06-2015 VS DEC. INCHES		TOLERANCES UNLESS SPECIFIED .X ±.1		Regal Beloit America, Inc.	DRAWN SMC 10-30-1990
					CHK ML 10-31-1990
5 REVISED AK DIA ECR-0044440		SVL 11-06-2013		TITLE OUTLINE 140T FR.-BB-DR.PR-C FACE-3φ-JM. EXT.	APPD
4 REDRAWN IN AUTOCAD		TAT 07-06-2004 ML .XX ±.03			SCALE 3=8
3 .75 FULL THD. WAS .88		CN 13229 RM 04-26-1991 .XXX ±.005		MAT'L	REF
2 REDRAWN ON CADD		SMC 10-30-1990 .XXXX ±.0005			FMF
NO.	REVISION	BY & DATE	CHK	ANG ±7'30"	PREV
THIS DRAWING IN DESIGN AND DETAIL IS OUR PROPERTY AND MUST NOT BE USED EXCEPT IN CONNECTION WITH OUR WORK ALL RIGHTS OF DESIGN AND INVENTION ARE RESERVED THIS IS AN ELECTRONICALLY GENERATED DOCUMENT - DO NOT SCALE THIS PRINT			RFP		CAD FILE 100186 SIZE A
			DIST WP		
					REV. 6