

DATE  
Jan. 14, 2009  
CAT. #: VH0604

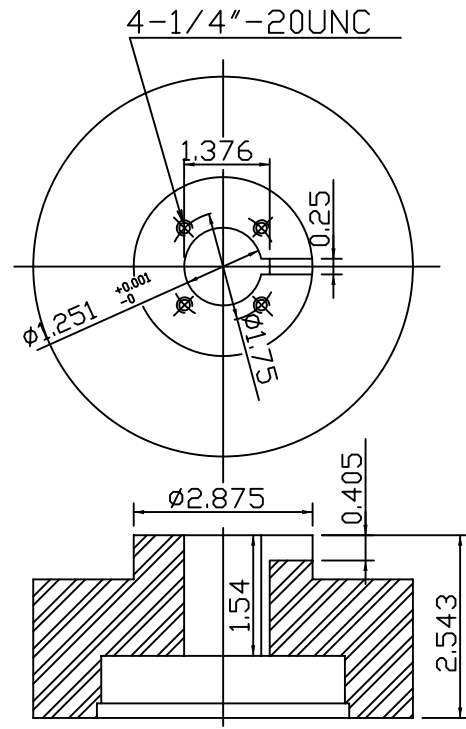
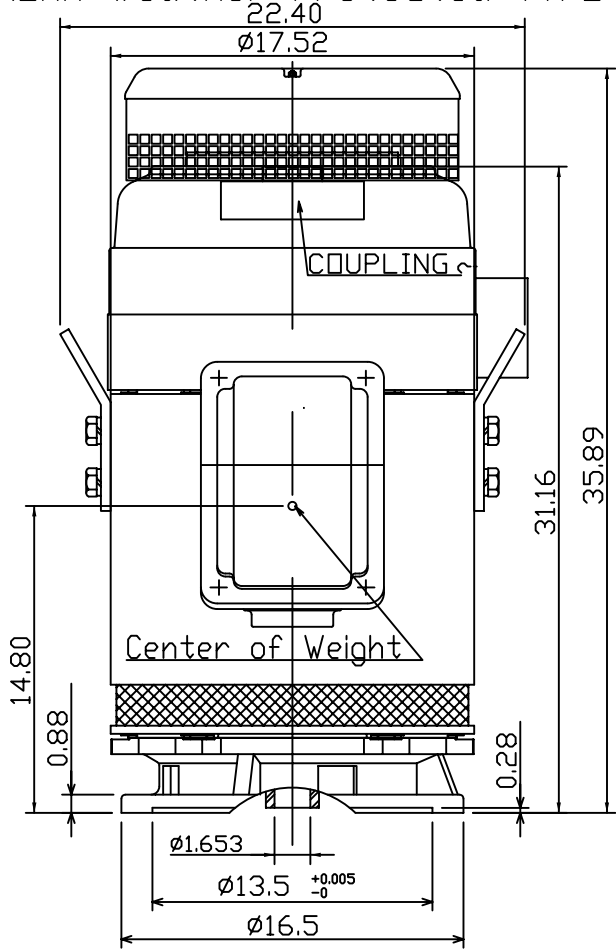
OUTLINE DIMENSIONS  
3-PHASE INDUCTION MOTOR

MOTOR TYPE:  
AMRCYC  
FRAME NO. 364TP

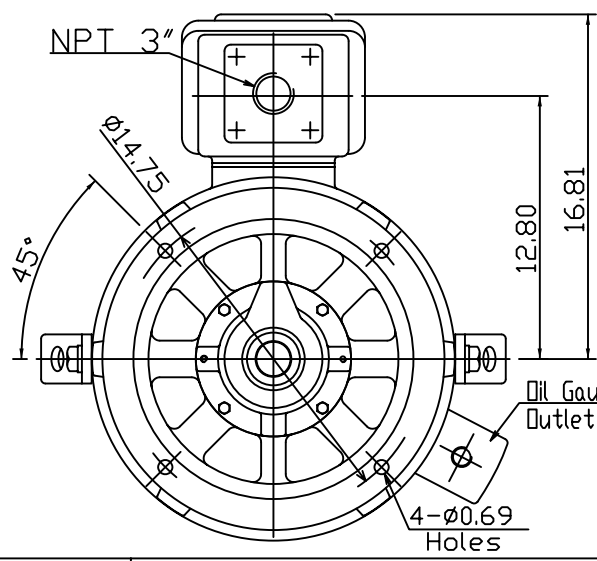
Pole	HP	kW	Hz	VOLT	Syn.Speed r/min(rpm)
4	60	45	60	230/460	1800

Ins	Rating	Dimension in	Approx Weight	Bearings
F	CONT.	inch	856 lbs	DE: 6313C3 NDE: 7220B

NEMA Weather Protected TYPE I(WP I).Squirrel-cage Rotor.



Coupling Dimension



- Note:
1. Downthrust: 6000lbs.  
L10 - 8800 hours
  2. Rotation: CCW
  3. With N.R.R.
  4. Approx Reed  
Frequencies: 68.7 Hz
  5. Upper Bearing Oil lube:  
Kind of Oil: Turbine Oil  
-300SSU/100°F ISO VG68  
Quantity: 0.53 Gallons

12.23.08

DWN.	???????	12 12 08
CHKD.	???????	12 23 08
APPD.	???????	12 23 08



DWG NO.  
31057H810121A