

Product Information Packet

November 7, 2016

Data shown is for the current revision model #. Ensure your nameplate model # matches.

Model Number:	5KS404ATE205AF2
Catalog Number:	E740
Instruction Manual:	GEI-M1023
Connection Diagram:	GEM2034E-FIG10
Outline Drawing:	358B6203AA

Accessory Connection Diagrams			
Bearing Thermocouple:	None	Heater:	None
RTD:	None	Thermistor:	None
Thermostat:	None	Winding Thermocouple:	None
Bearing RTD:	None		

Table of Contents	
Specification	01
Performance Characteristics	02
Outline Drawing	03
Connection Drawing(s)	04

Marks:

MODEL NUMBER:	5KS404ATE205AF2	Estimated Weight:	1050 Lbs
Outline Drawing:	358B6203AA	Time Rating:	CONT
Connection Diagram:	GEM2034E-FIG10	Enclosure:	DP
Instruction Book:	GEI-M1023	Encl Construction:	OPEN
Design Code:	40AD1006A	Ambient Max(°C):	40
Type:	KS	Alt Ambient Max(°C):	--
Frame:	404T	Insulation Class:	F
Phases:	3	NEMA Design:	A
Poles:	4	Nominal Efficiency:	95.4 %
Output Power:	100HP 74KW	Guaranteed Efficiency:	94.5
RPM:	1785	3/4 Load Efficiency:	96.0
Voltage:	230/460	KVA Code:	G
Hertz:	60	Max KVAR:	23.6
Amps - FL:	226/113	Power Factor:	86.5
Service Factor:	1.15	Bearing - DE:	6317
Alt Service Factor:	--	Bearing - ODE:	6313

Enclosure is Dripproof

Stamped Nameplate Notes:**Additional Information:**

4 POLE DP
 LRA DATA:1456.2/728.1
 NO. OF MOTOR LEADS: 12
 CONDUIT BOX VOLUME (IN³): 1240
 CONDUIT BOX MTL: STAMPED STEEL
 GREASE TYPE: CHEVRON SRI-2 POLYUREA GREASE
 USABLE AT 200 VOLTS @100 HP, 258 AMPS @ 1.0SF
 50 HZ DATA : 100 HP, 200/400 V, 260/130 AMPS AT 1.0SF @ 1480RPM
 SOUND POWER: 82.2
 DMK, 06/04, DATA UPDATE 2/2/2005
 INVERTER DUTY PER NEMA MG1 PART 31
 FOR VARIABLE TORQUE LOADS

Performance Characteristics

1st Winding 1st Connection

Design: 40AD1006A

Marks:

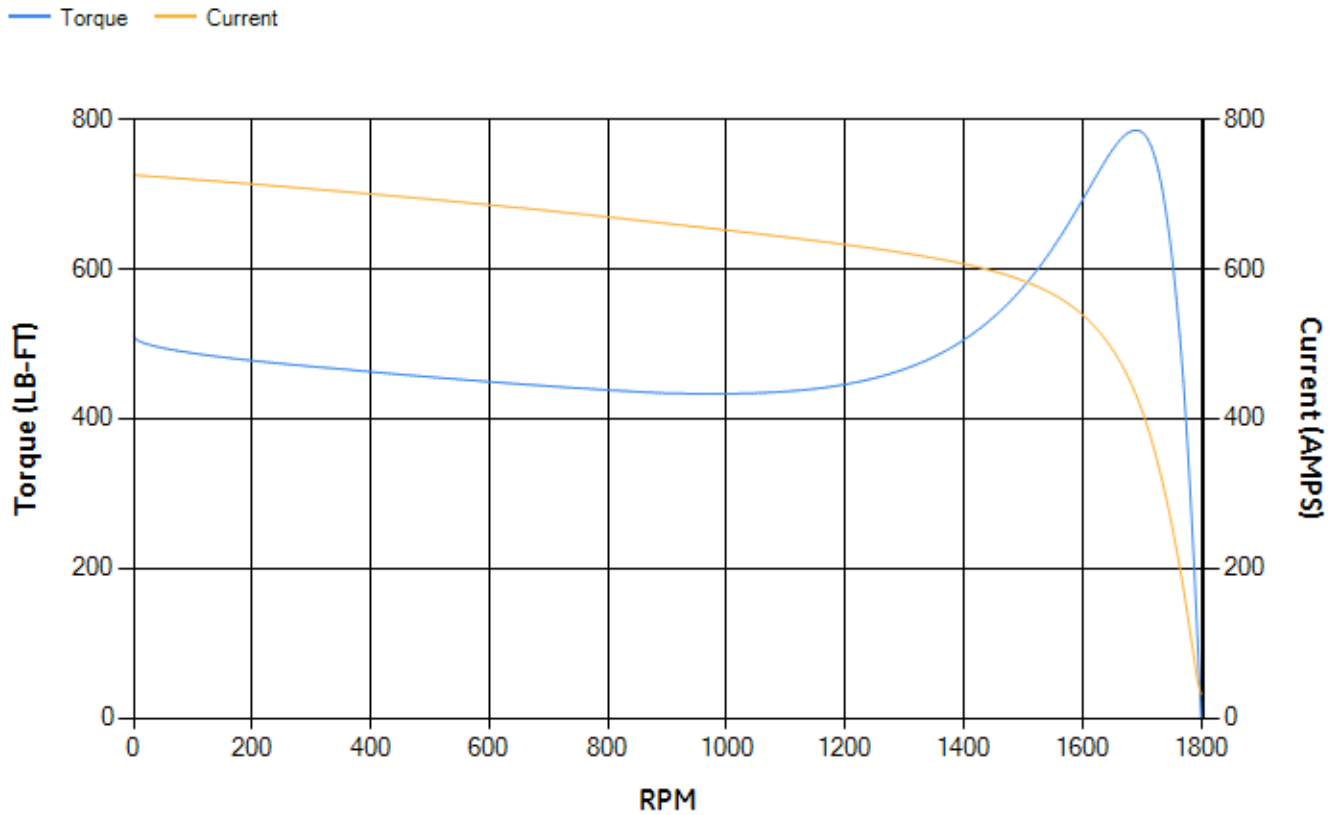
LOAD %	125.0	115.0	100.0	75.0	50.0	25.0	0.0
% EFF	95.22	95.44	95.92	95.99	95.76	93.78	0.00
% PF	88.3	88.34	88.01	85.94	79.67	60.18	4.23
AMPS	139.14	127.66	110.87	85.1	61.34	41.46	31.34

TORQ(FL)#FT	294.49	TORQ(LR)%FL	173.29	TORQ(BD)%FL	266.15
AMPS(LR)	725.55	PF AT START	0.32		

This motor is capable of two cold or one hot start with a maximum connected load inertia of 2503 Lb-Ft Sq (105.38 Kg-meter Sq)at 100% voltage, where the load torque varies with the square of the speed. Acceleration time with maximum inertia and the above load type is 37 seconds. Safe stall time at 100% voltage is 63 seconds cold, 47 seconds hot. Rotor inertia is 22.37 Lb-Ft Sq (0.94 Kg-meter Sq).

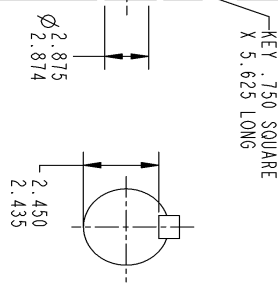
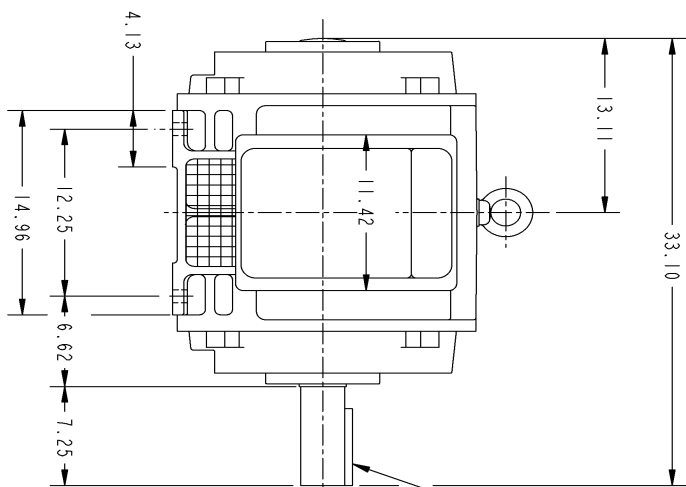
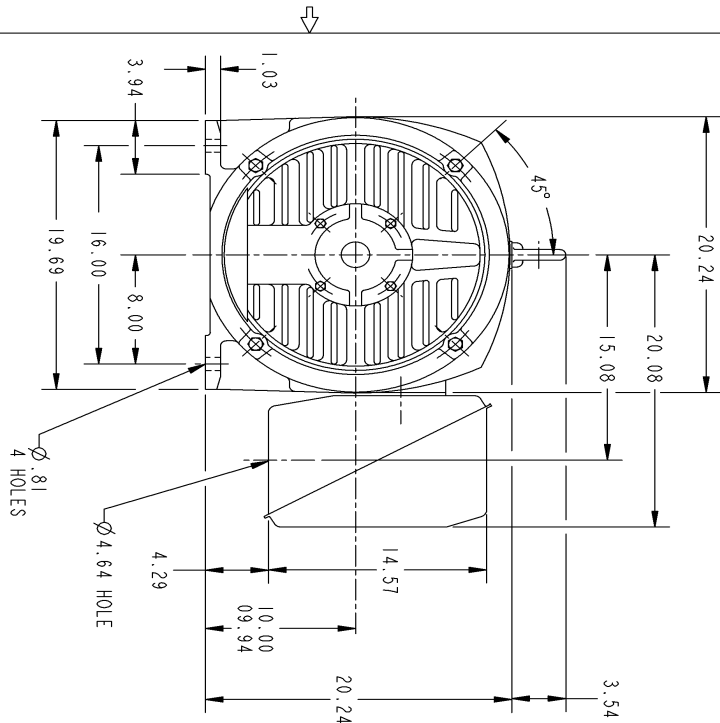
Open Circuit A-C:	0.975	Short Circuit D-C:	0.029
Short Circuit A-C:	0.039	X/R Ratio:	10.845
Stator Slots:	60	Rotor Slots:	50

Speed Torque Current Curve (First Connection, First Speed)



NAME:500903578 OBJECT:358B6203AA DATE:04-May-07 10:52:23

Marks:



GE PROPRIETARY AND CONFIDENTIAL INFORMATION

This document is the property of General Electric Company (GE) and contains proprietary information of GE. This document is loaned on the express condition that neither it nor the information contained therein shall be disclosed to any other person or organization without the prior written approval of GE. This document shall be returned to GE upon its request. This document is not to be copied, reproduced, or disseminated in any form without the express written approval of GE. This document is not to be used for any purpose other than that for which it was prepared.

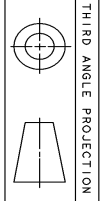
REV.	DESCRIPTION	DATE	APPROVED
1	ISAAC 07-0770	05/02/07	R. KOHNE

REVISIONS

SIZE	DRAWING NO.	REV	SHEET
B	358B6203AA	1	1

NOTES :

1. CONDUIT BOX MAY BE PLACED WITH THE ENTRANCE DOWN, UP OR ON EITHER SIDE.
2. F-1 ASW AS SHOWN.
3. F-2 ASW - HAS CONDUIT BOX ON OPPOSITE SIDE.



FOR ADDITIONAL INFO REFER TO:	SIGNATURES	DATE
APPLIED FACILITIES	MODEL	
DIMENSIONS ARE IN INCHES	REVIEW	
TOLERANCE ON:	DESIGNED	
1 PL DECIMALS ± .	SUPV	
2 PL DECIMALS ± .	ENGR	
3 PL DECIMALS ± .	WKS	
ANGLES ± .	QUALITY	
FRACTIONS ± .	ISSUED	
FINISH	SOLD MODEL	
MATERIAL	SOLID MODEL	

GENERAL ELECTRIC COMPANY

GE Industrial Systems

TITLE

404T - CAST IRON ODP FOOTED

358B6203AA

SCALE: DRAWING SCALE

SHEET 1 of 1

Marks:

Connection Diagram
GEM2034E-FIG10

