

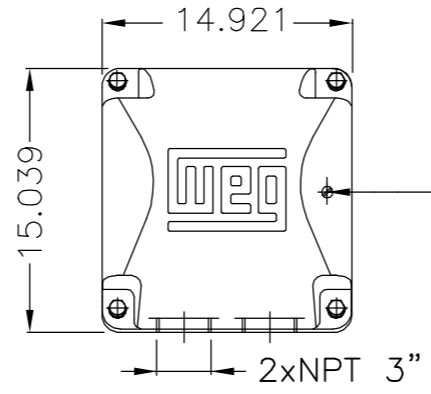
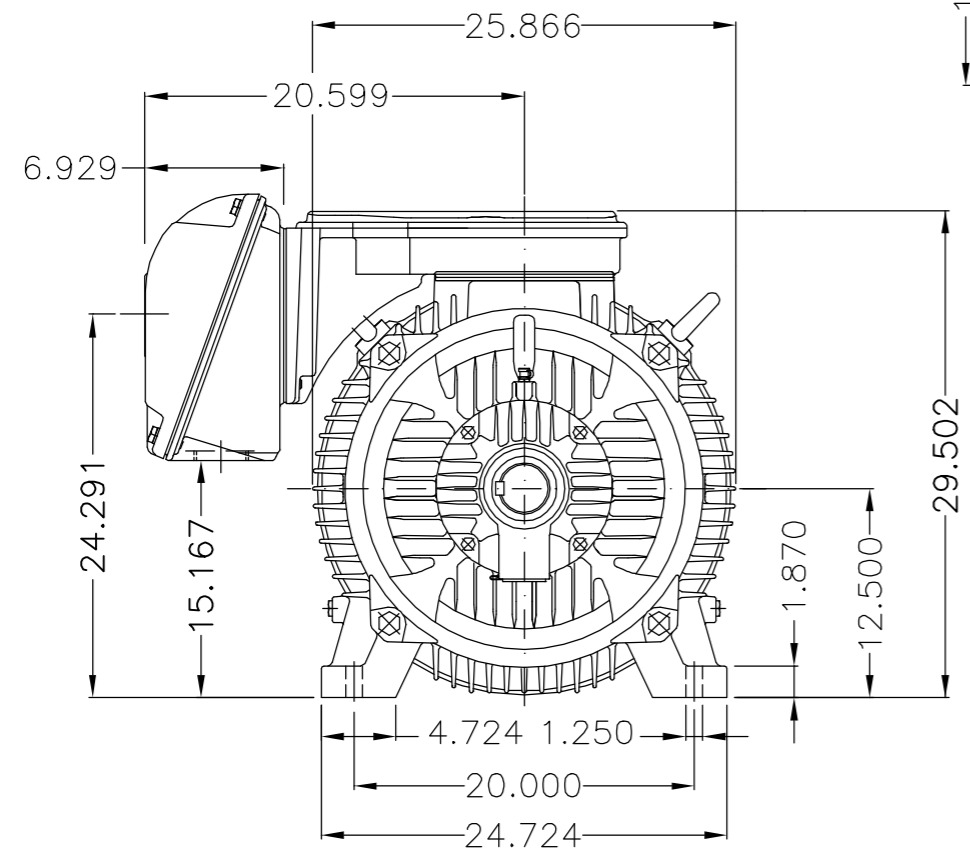
EIXO/SHAFT	
PADRÃO/STANDARD	
OPCIONAL/OPTIONAL	
ESPECIAL/SPECIAL	X

Dimensões em polegada
Dimensions in inches

CERTIFIED WEG MOTORES
Certified document.
Not subject to changes.

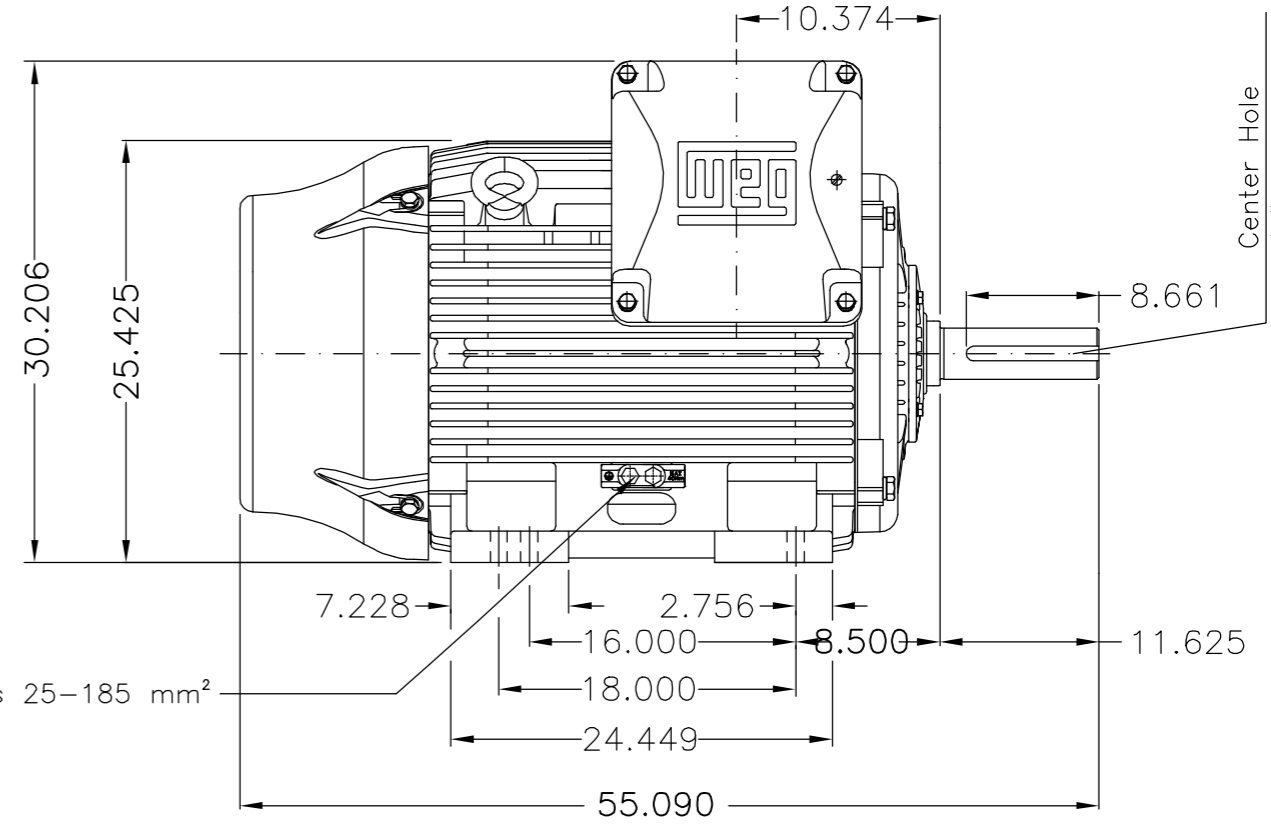
THIS IS AN UPDATED REVISION, THE PREVIOUS ONE MUST BE DISREGARDED.

A
B
C
D
E

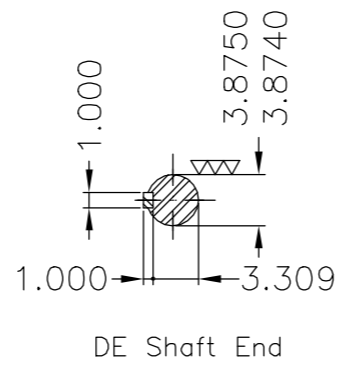


Main terminal box

Grounding for leads 35-70 mm²



Grounding for leads 25-185 mm²



DE Shaft End

Tampa dianteira especial / Special DE endshield
Rolamento dianteiro de rolos NU-322 C3 / NU-322 C3 DE roller bearing
Dispositivo de travamento de eixo / Shaft locking device
Vedação - labirinto Taconite / Sealing - Taconite labyrinth
Ventilador de Alumínio / Aluminum fan
Categoria A / Design A
Tampa traseira com mancal eletricamente isolado / N.D.E bearing hub electrically insulated
Cor RAL 5009 / Color RAL 5009
Plano de pintura 203A / Painting plan 203A
Forma construtiva NEMA F-1 / Mounting NEMA F-1
Forma construtiva B3D / Mounting B3R(D)

WEG ELECTRIC CORPORATION - WEC

500001293996		ATUALIZADO COTA H-H	AFILHO	MENSOR	10.04.2017	01
500001130675		DOCUMENTO NOVO	DVEGINI	NSCHMIDT	22.01.2016	00
ECM	LOC	SUMMARY OF MODIFICATIONS	EXECUTED	CHECKED	RELEASED	DATE VER
EXECUTED	DVEGINI	THREE PHASE W22 MOTOR - NEMA PREMIUM EFF FRAME 504/5TZ IP55	10004037836			
CHECKED			000	01		
RELEASED	NSCHMIDT		SHEET 1 / 1			
REL DT	22.01.2016		WMO	Jaraguá do Sul		

200 HP 06 Poles 60Hz 414149562/0 MEC

A

UNCONTROLLED COPY RELEASED ZME A3