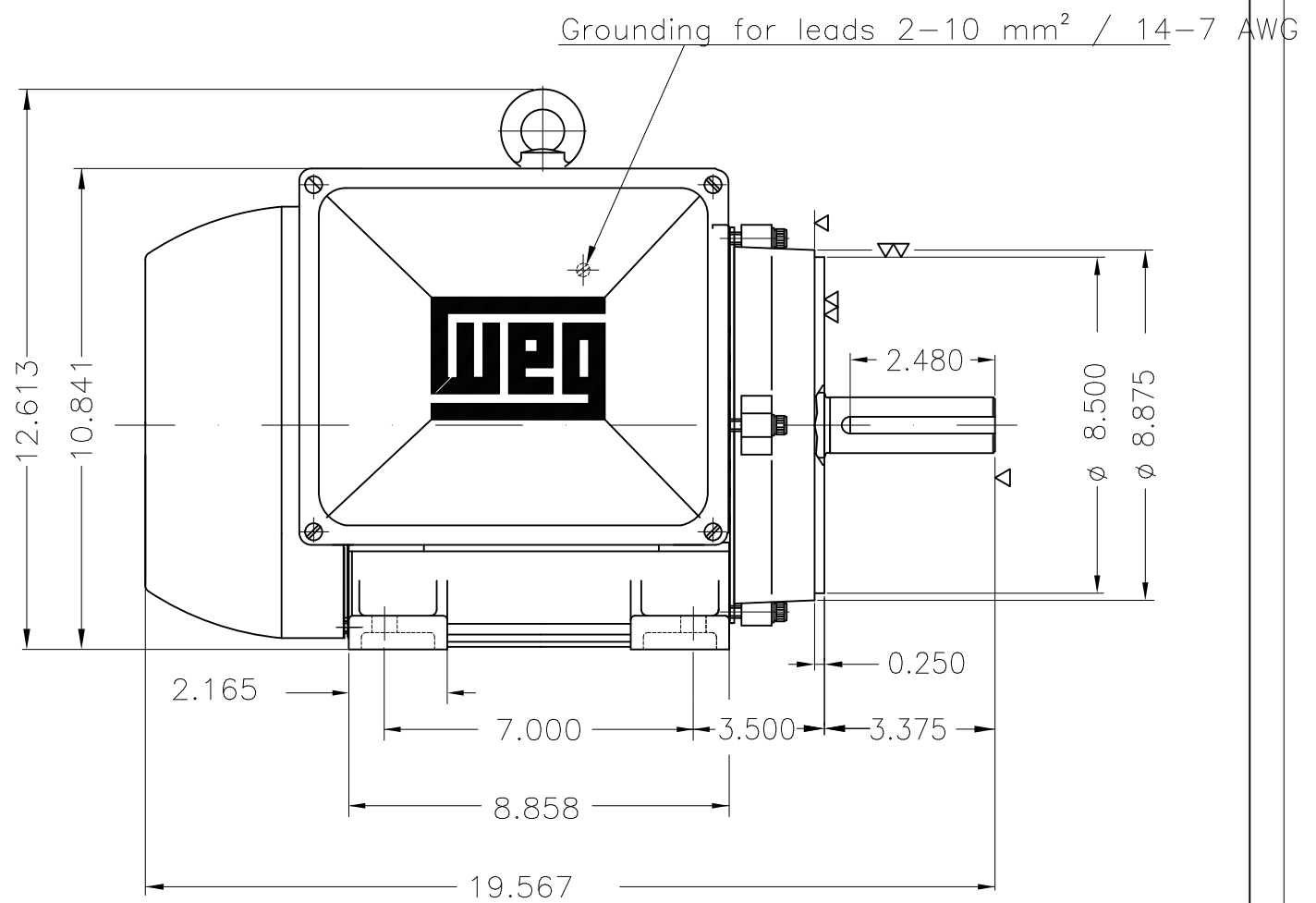
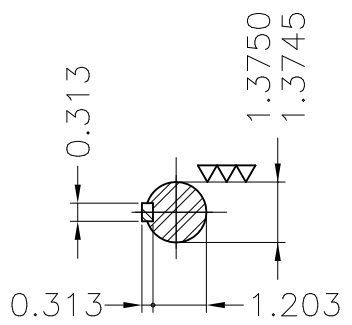
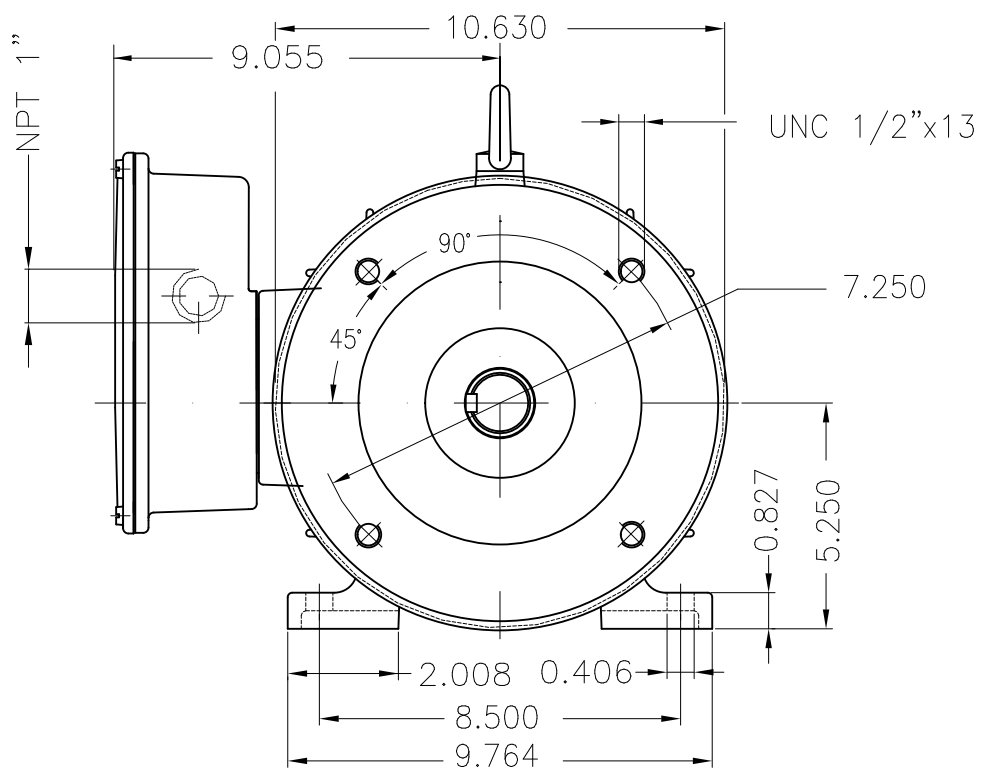
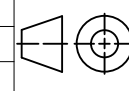


THIS IS AN UPDATED REVISION, THE PREVIOUS ONE MUST BE DISREGARDED.



No threaded plastic plug
 Bearing cap
 Mounting B34R(D)

ECM	LOC	SUMMARY OF MODIFICATIONS	EXECUTED	CHECKED	RELEASED	DATE	VER
EXECUTED	USERADMIN	 SINGLE PHASE MOTOR FRAME 215TC IP55 TEFC WEG code: 11963196					
CHECKED							
RELEASED							
REL DT	24.07.2017	WMO Jaragua do Sul	Product Engineering	SHEET	1 / 1		

7.5 HP 04 Poles 60Hz

