

# Product Information Packet

November 7, 2016

Data shown is for the current revision model #. Ensure your nameplate model # matches.

<b>Model Number:</b>	<b>5KS213ATE205AF2</b>
<b>Catalog Number:</b>	<b>E7010</b>
<b>Instruction Manual:</b>	GEI-M1023
<b>Connection Diagram:</b>	GEM2034E-FIG10
<b>Outline Drawing:</b>	358B6215AA

Accessory Connection Diagrams			
<b>Bearing Thermocouple:</b>	None	<b>Heater:</b>	None
<b>RTD:</b>	None	<b>Thermistor:</b>	None
<b>Thermostat:</b>	None	<b>Winding Thermocouple:</b>	None
<b>Bearing RTD:</b>	None		

Table of Contents	
Specification	01
Performance Characteristics	02
Outline Drawing	03
Connection Drawing(s)	04

**Marks:**

<b>MODEL NUMBER:</b>	<b>5KS213ATE205AF2</b>	<b>Estimated Weight:</b>	158 Lbs
<b>Outline Drawing:</b>	358B6215AA	<b>Time Rating:</b>	CONT
<b>Connection Diagram:</b>	GEM2034E-FIG10	<b>Enclosure:</b>	DP
<b>Instruction Book:</b>	GEI-M1023	<b>Encl Construction:</b>	OPEN
<b>Design Code:</b>	21AD1006A	<b>Ambient Max(°C):</b>	40
<b>Type:</b>	KS	<b>Alt Ambient Max(°C):</b>	--
<b>Frame:</b>	213T	<b>Insulation Class:</b>	F
<b>Phases:</b>	3	<b>NEMA Design:</b>	A
<b>Poles:</b>	4	<b>Nominal Efficiency:</b>	91 %
<b>Output Power:</b>	7.5HP 5.6KW	<b>Guaranteed Efficiency:</b>	89.5
<b>RPM:</b>	1765	<b>3/4 Load Efficiency:</b>	92.1
<b>Voltage:</b>	230/460	<b>KVA Code:</b>	K
<b>Hertz:</b>	60	<b>Max KVAR:</b>	3.1
<b>Amps - FL:</b>	19.4/9.7	<b>Power Factor:</b>	79.5
<b>Service Factor:</b>	1.15	<b>Bearing - DE:</b>	6308ZZ
<b>Alt Service Factor:</b>	--	<b>Bearing - ODE:</b>	6208ZZ

Enclosure is Dripproof

---

**Stamped Nameplate Notes:****Additional Information:**

OFFSET STATOR CORE NOT SUITABLE FOR F1 CONVERSION  
 4 POLE DP  
 LRA: 157/78.5  
 NO. OF MOTOR LEADS: 12  
 CONDUIT BOX VOLUME (IN<sup>3</sup>): 50.3  
 CONDUIT BOX MTL: STAMPED STEEL  
 GREASE TYPE: SHELL ALVANIA R3 LITHIUM GREASE  
 USABLE AT 200V @ 7.5 HP, 20.9 AMPS @ 1.0 SF  
 50 HZ DATA: 7.5 HP, 200/400V, 22.2/11.1 AMPS @ 1.0SF, 1460 RPM  
 SOUND POWER: 69.5  
 DMK, 06/04, DATA UPDATE 11/2004  
 INVERTER DUTY PER NEMA MG1 PART 31  
 FOR VARIABLE TORQUE LOADS

**Performance Characteristics**

1st Winding 1st Connection

**Design: 21AD1006A**

Marks:

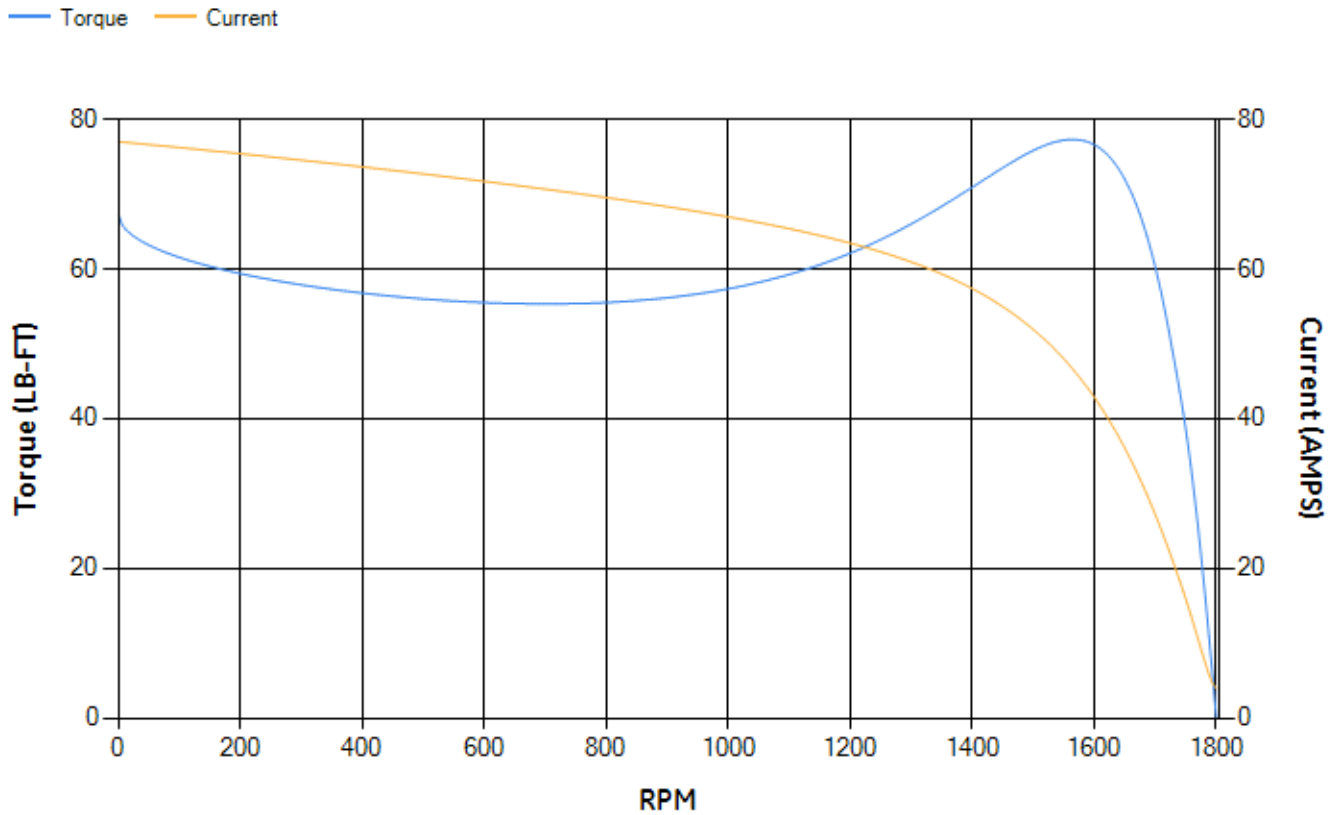
LOAD %	125.0	115.0	100.0	75.0	50.0	25.0	0.0
% EFF	91	91.38	92.02	92.12	91.41	87.18	0.00
% PF	83.42	82.7	81.04	75.94	65.38	43.66	5.62
AMPS	11.56	10.68	9.41	7.53	5.87	4.61	3.99

TORQ(FL)#FT	22.26	TORQ(LR)%FL	302.36	TORQ(BD)%FL	344.34
AMPS(LR)	77.01	PF AT START	0.43		

This motor is capable of two cold or one hot start with a maximum connected load inertia of 292 Lb-Ft Sq (12.29 Kg-meter Sq) at 100% voltage, where the load torque varies with the square of the speed. Acceleration time with maximum inertia and the above load type is 32 seconds. Safe stall time at 100% voltage is 75 seconds cold, 53 seconds hot. Rotor inertia is 0.82 Lb-Ft Sq (0.03 Kg-meter Sq).

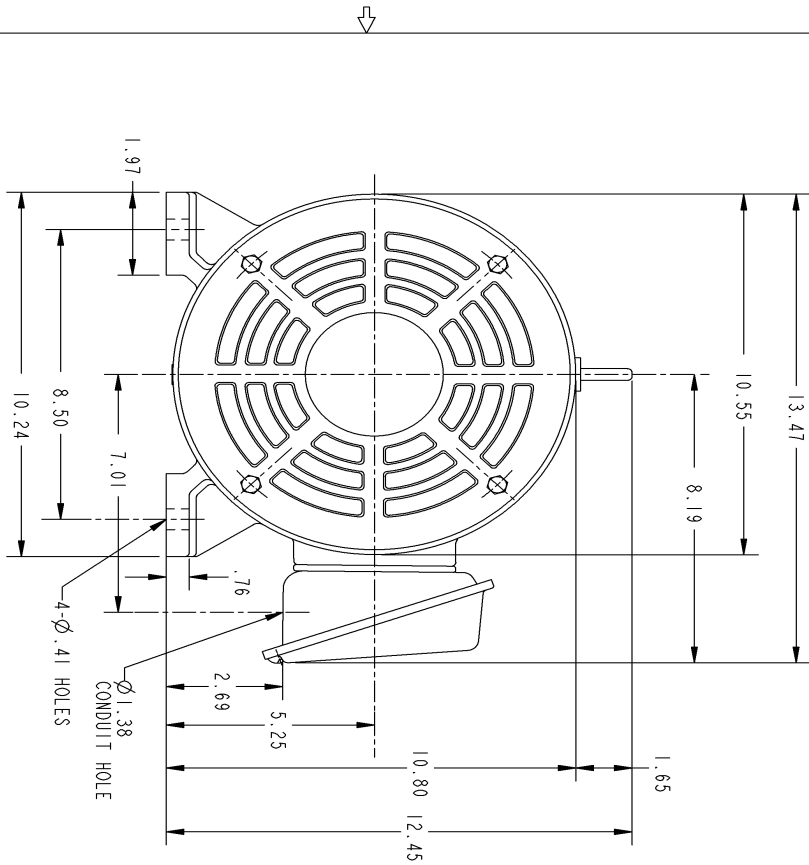
Open Circuit A-C:	0.347	Short Circuit D-C:	0.011
Short Circuit A-C:	0.016	X/R Ratio:	4.112
Stator Slots:	48	Rotor Slots:	40

Speed Torque Current Curve (First Connection, First Speed)



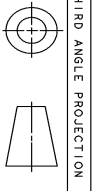
NAME:501452442 OBJECT:358B6215AA DATE:23-May-07 23:10:49

Marks:



NOTES :

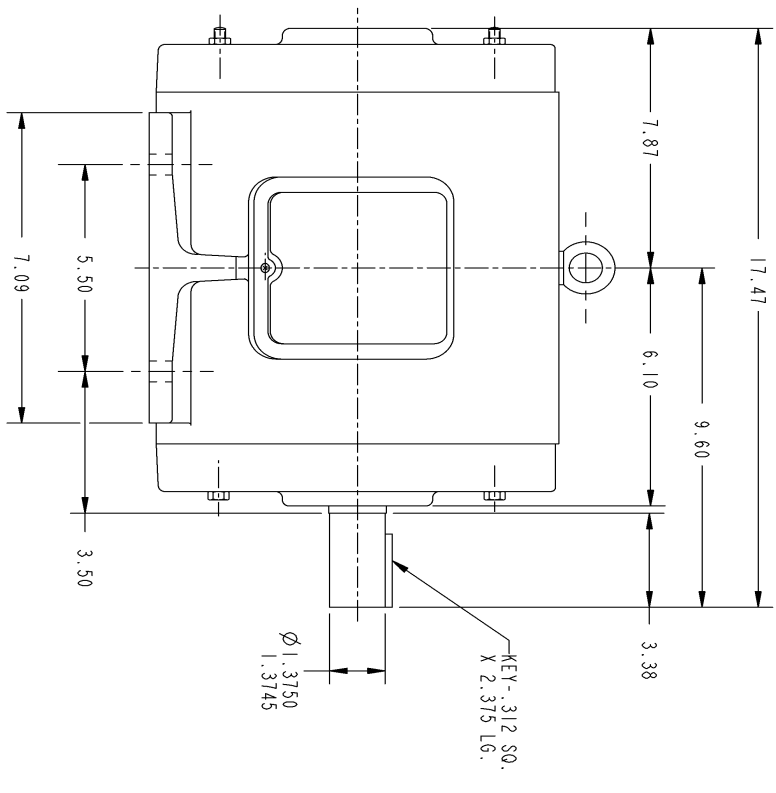
1. CONDUIT BOX MAY BE PLACED WITH THE ENTRANCE DOWN, UP OR ON EITHER SIDE.
2. F-1 ASM AS SHOWN.
3. F-2 ASM - HAS CONDUIT BOX ON OPPOSITE SIDE.



SIZE DRAWING FOR  
**358B6215AA**  
 GE PROPRIETARY INNOVATION

This document is the property of General Electric Company (GE) and contains confidential information. This document is loaned to the recipient under the understanding that the information contained herein shall be disclosed only to those individuals who are specifically authorized to receive it. This document is not to be distributed outside the recipient's organization without the prior written consent of GE. This document shall be returned to GE upon its request and shall not be used for any other purpose without the prior written consent of GE.

REV.	DESCRIPTION	DATE	APPROVED
1	ISAAC 07-0770	05/02/07	R. KOHNE



UNLESS OTHERWISE SPECIFIED:		SIGNATURES		DATE	
DIMENSIONS ARE IN INCHES		DRWN	P. RAJU	03/27/03	
TOLERANCE ON:		CHECKED	PRASHANKAR	03/27/03	
2 PL DECIMALS ±		ENGRS			
3 PL DECIMALS ±		ISSUED	PRASHANKAR	03/27/03	
ANGLES ± 1°		APPLIED PRACTICES			
MATERIAL:		SIZE/DRAWING	B	358B6215AA	REV 1
		SCALE:	DRAWING SCALE		SHEET 1 OF 1

**GE Industrial Systems**  
 GENERAL ELECTRIC COMPANY  
 Fort Wayne, Indiana

**OUTLINE**  
 213T - OPEN DRIP PROOF

DISTRIBUTION:

Marks:

**Connection Diagram**  
**GEM2034E-FIG10**

