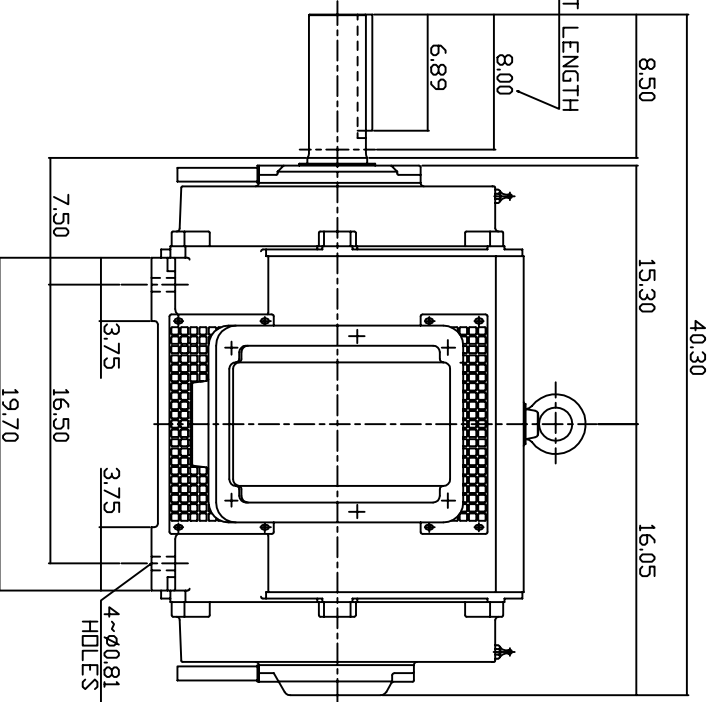
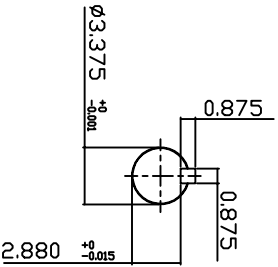
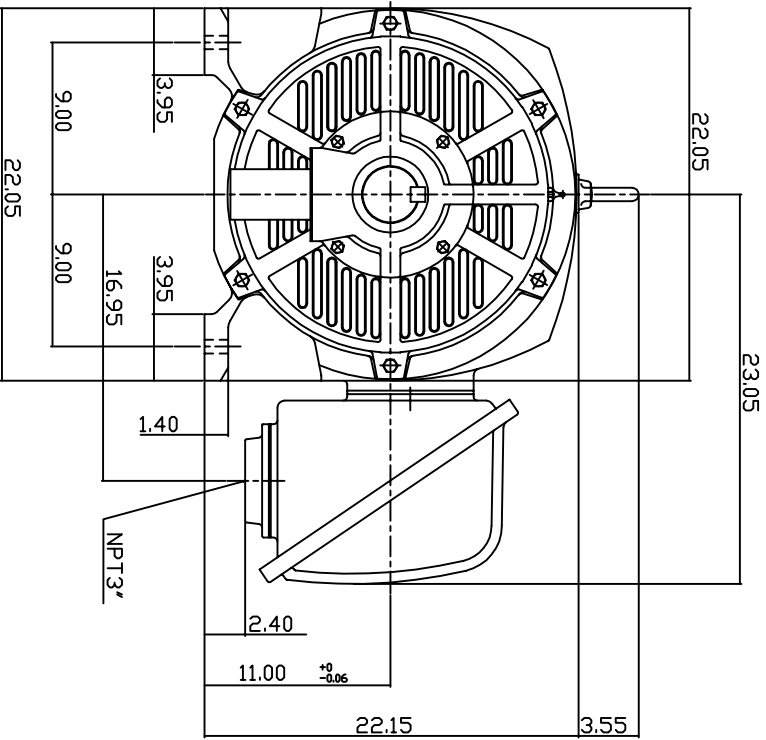


TYPE	OUTPUT		POLE	TIME RATING	VOLTAGE V	Hz	SYN.SPEED R.P.M
	HP.	KW.					
ASFAFP	125	93	6	CDNT.	230/460/796	60	1200

DRIP PROOF TYPE, SQUIRREL-CAGE ROTOR



NOTE:

1. DIMENSIONS IN INCH.
2. FRAME NO. 445T
3. F CLASS INSULATION, S.F.1.15
4. BEARING SIZE: DRIVE END: NU318  
NON-DRIVE END: 6316
5. MOTOR APPROX. WEIGHT: 1870 LBS

TV-56C

DWN.	W.LLIN	APR-23-2003
CHKD.	W.LLIN	APR-23-2003
APPD.	C.WANG	APR-23-2003

DATE	APRIL 21, 2004	OUTLINE DIMENSIONS
DATE	01256R	
3-PHASE INDUCTION MOTOR		DWG NO. 3A040T419
REV: 00		



6 5 4 3 2 1