

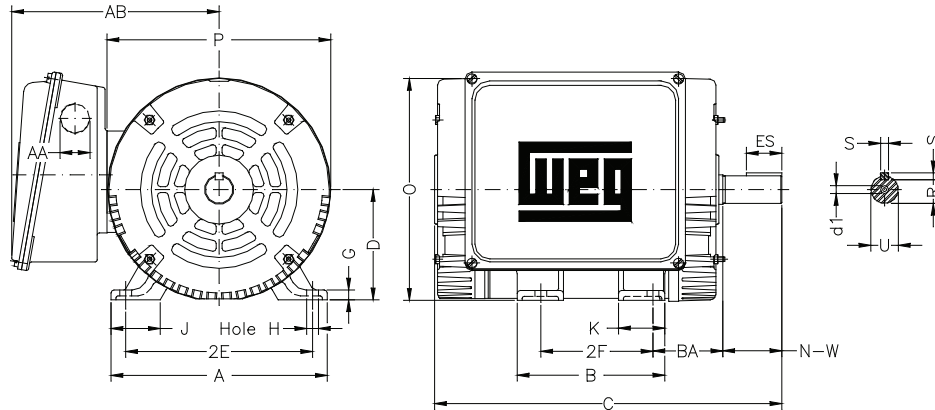
# 180T Frame and up Single Phase Motors

## ODP - Purchasing and Mechanical Data

Rated Output		NEMA Frame	List Price	List Price with 'C' Flange	Part Number	Shipping Weight (lbs.)	Overall Length "C" Dim. (in.)
HP	RPM						
3	3600	182T	\$540	\$611	DP003102	73	14.448
	1800	184T	540	611	DP003104	73	14.870
5	3600	184T	593	664	DP005102	99	14.870
	1800	184T	593	664	DP005104S	99	14.870
7.5	3600	184T	774	845	DP007102	108	14.870
	1800	213/5T	999	1080	DP007104	147	19.500

Flange: For C Flange replace 'DP' with 'CP'

Electrical Data is available on request



NEMA FRAMES	Mounting					A	B	C	D	G	J	K	O	P	T	Keyway			Shaft Extension		AB	AA	d1	Bearings	
	2E	2F	2F1	H	BA											S	R	ES	N-W	U				D.E.	N.D.E.
182T	7.500	4.500	5.500	0.406	2.750	8.661	6.299	13.504	4.500	0.187	1.171	1.988	8.307	7.637	X	0.250	0.984	1.771	2.750	1.125	8.346	NPT0.75"	A4	6206-ZZ	6205-ZZ
184T								14.291																	
213T	8.500	5.500	7.000	3.488	9.448	7.952	17.165	5.250	1.063	2.567	9.842	8.779	1.378	0.312	1.203	2.480	3.375	1.375					6208-ZZ	6206-ZZ	
215T																									

NEMA FRAMES	"C" FLANGE DIMENSIONS								
	BA	AJ	AK	BD	BF		BB	BC	AH
					NUMBER	TAP SIZE			
182/4T	2.750	7.250	8.500	8.875	4	UNC0.5"x16	0.250	0.125	2.625
213/5T	3.500							0.250	3.125

