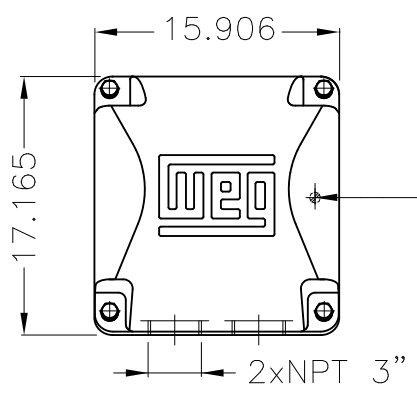
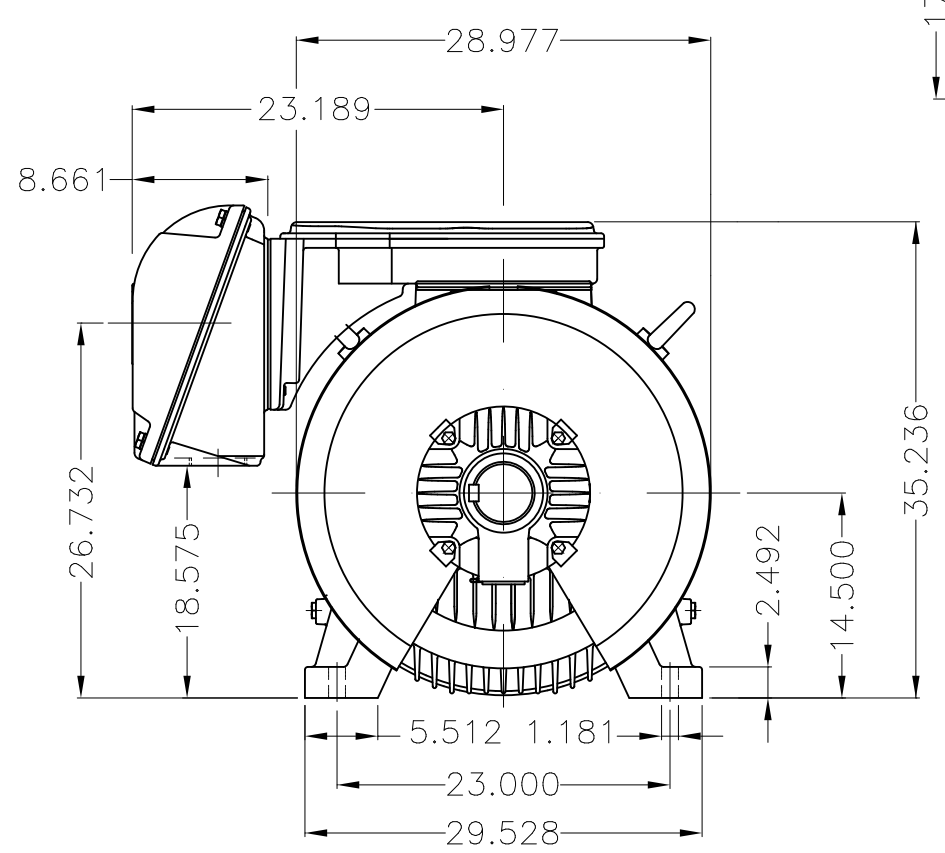


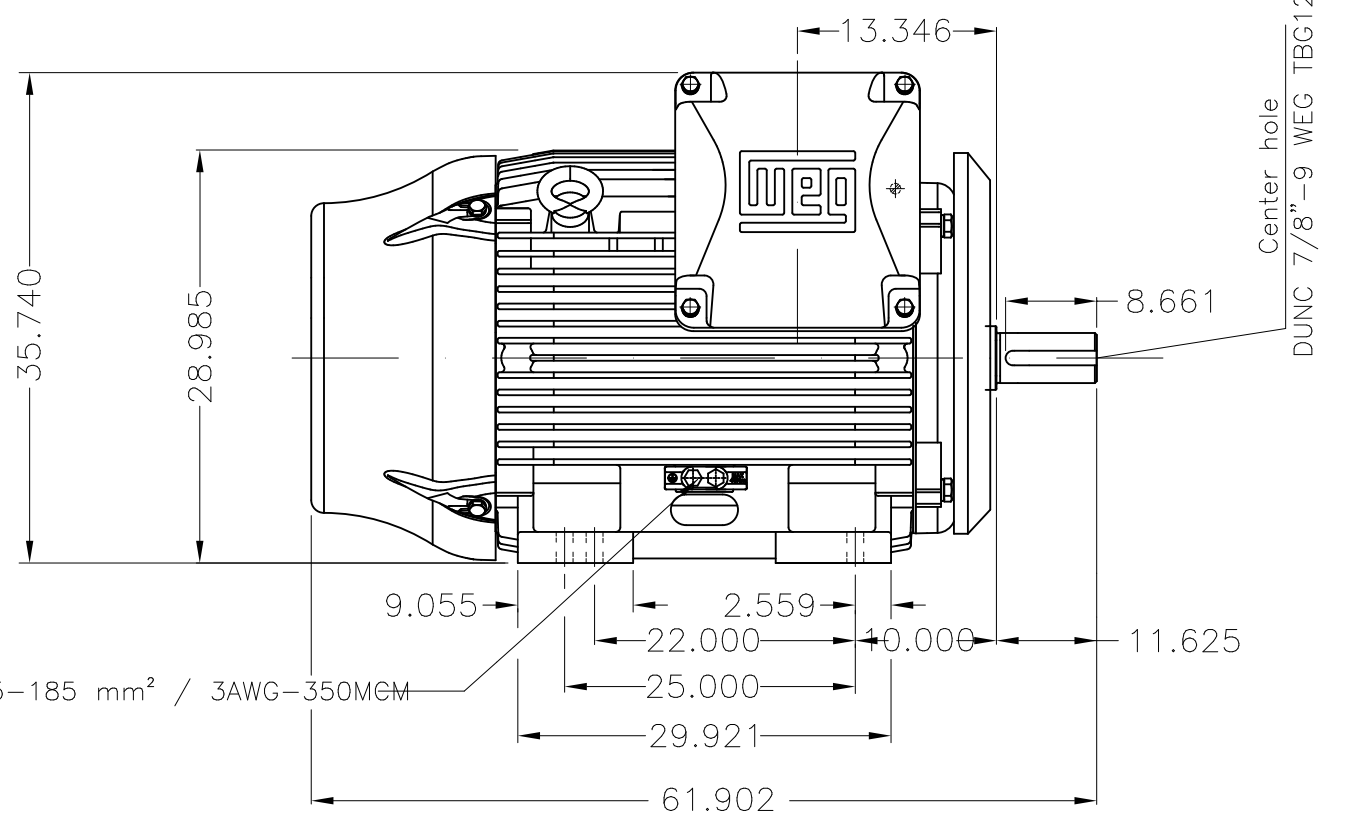
Dimensões em polegada
Dimensions in inches

THIS IS AN UPDATED REVISION, THE
PREVIOUS ONE MUST BE DISREGARDED.



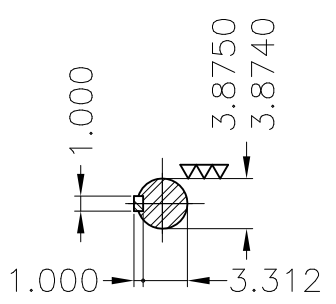
Main terminal box

Grounding for leads 35-120 mm² / 1-4/0 AWG



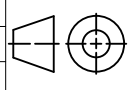
Grounding for leads 25-185 mm² / 3AWG-350MCM

Center hole
DUNC 7/8"-9 WEG TBG12



DE Shaft End

NDE endshield with electrically insulated bearing hub
Drive-End Air Deflector
Color RAL 5009
Painting plan 203A
Service factor 1.15
Mounting B3R(D)

ECM	LOC	SUMMARY OF MODIFICATIONS			EXECUTED	CHECKED	RELEASED	DATE	VER
EXECUTED	USERADMIN	 THREE PHASE W22 MOTOR - NEMA PREMIUM EFF FRAME 586/7T IP55 TEFC WEG code: 11679237							
CHECKED									
RELEASED									
REL DT	24.07.2017	WMO	Jaragua do Sul	Product Engineering	SHEET	1 / 1			

600 HP 04 Poles 60Hz

