

# Product Information Packet

November 7, 2016

Data shown is for the current revision model #. Ensure your nameplate model # matches.

<b>Model Number:</b>	<b>5KS184ATE205A</b>
<b>Catalog Number:</b>	<b>E722</b>
<b>Instruction Manual:</b>	GEI-M1023
<b>Connection Diagram:</b>	GEM2034E-FIG3
<b>Outline Drawing:</b>	358B6214AB

Accessory Connection Diagrams			
<b>Bearing Thermocouple:</b>	None	<b>Heater:</b>	None
<b>RTD:</b>	None	<b>Thermistor:</b>	None
<b>Thermostat:</b>	None	<b>Winding Thermocouple:</b>	None
<b>Bearing RTD:</b>	None		

Table of Contents	
Specification	01
Performance Characteristics	02
Outline Drawing	03
Connection Drawing(s)	04

**Marks:**

<b>MODEL NUMBER:</b>	<b>5KS184ATE205A</b>	<b>Estimated Weight:</b>	105 Lbs
<b>Outline Drawing:</b>	358B6214AB	<b>Time Rating:</b>	CONT
<b>Connection Diagram:</b>	GEM2034E-FIG3	<b>Enclosure:</b>	DP
<b>Instruction Book:</b>	GEI-M1023	<b>Encl Construction:</b>	OPEN
<b>Design Code:</b>	18AD1008A	<b>Ambient Max(°C):</b>	40
<b>Type:</b>	KS	<b>Alt Ambient Max(°C):</b>	--
<b>Frame:</b>	184T	<b>Insulation Class:</b>	F
<b>Phases:</b>	3	<b>NEMA Design:</b>	A
<b>Poles:</b>	4	<b>Nominal Efficiency:</b>	89.5 %
<b>Output Power:</b>	5HP 3.7KW	<b>Guaranteed Efficiency:</b>	87.5
<b>RPM:</b>	1740	<b>3/4 Load Efficiency:</b>	90.5
<b>Voltage:</b>	230/460	<b>KVA Code:</b>	K
<b>Hertz:</b>	60	<b>Max KVAR:</b>	1.7
<b>Amps - FL:</b>	12.8/6.4	<b>Power Factor:</b>	81.5
<b>Service Factor:</b>	1.15	<b>Bearing - DE:</b>	6308ZZ
<b>Alt Service Factor:</b>	--	<b>Bearing - ODE:</b>	6208ZZ

Enclosure is Dripproof

---

**Stamped Nameplate Notes:****Additional Information:**

4 POLE DP  
 LRA: 105.6/52.8  
 NO. OF MOTOR LEADS: 9  
 CONDUIT BOX VOLUME (IN<sup>3</sup>): 30.2  
 CONDUIT BOX MTL: STAMPED STEEL  
 GREASE TYPE: SHELL ALVANIA R3 LITHIUM GREASE  
 USABLE AT 200V @ 5HP, 14.4 AMPS @ 1.0 SF  
 50 HZ DATA: 3 HP, 200/400V, 9.6/4.8 AMPS @ 1.0SF, 1465 RPM  
 SOUND POWER: 70  
 DMK, 06/04, DATA UPDATE 11/2004  
 INVERTER DUTY PER NEMA MG1 PART 31  
 FOR VARIABLE TORQUE LOADS

**Performance Characteristics**

1st Winding 1st Connection

**Design: 18AD1008A**

**Marks:**

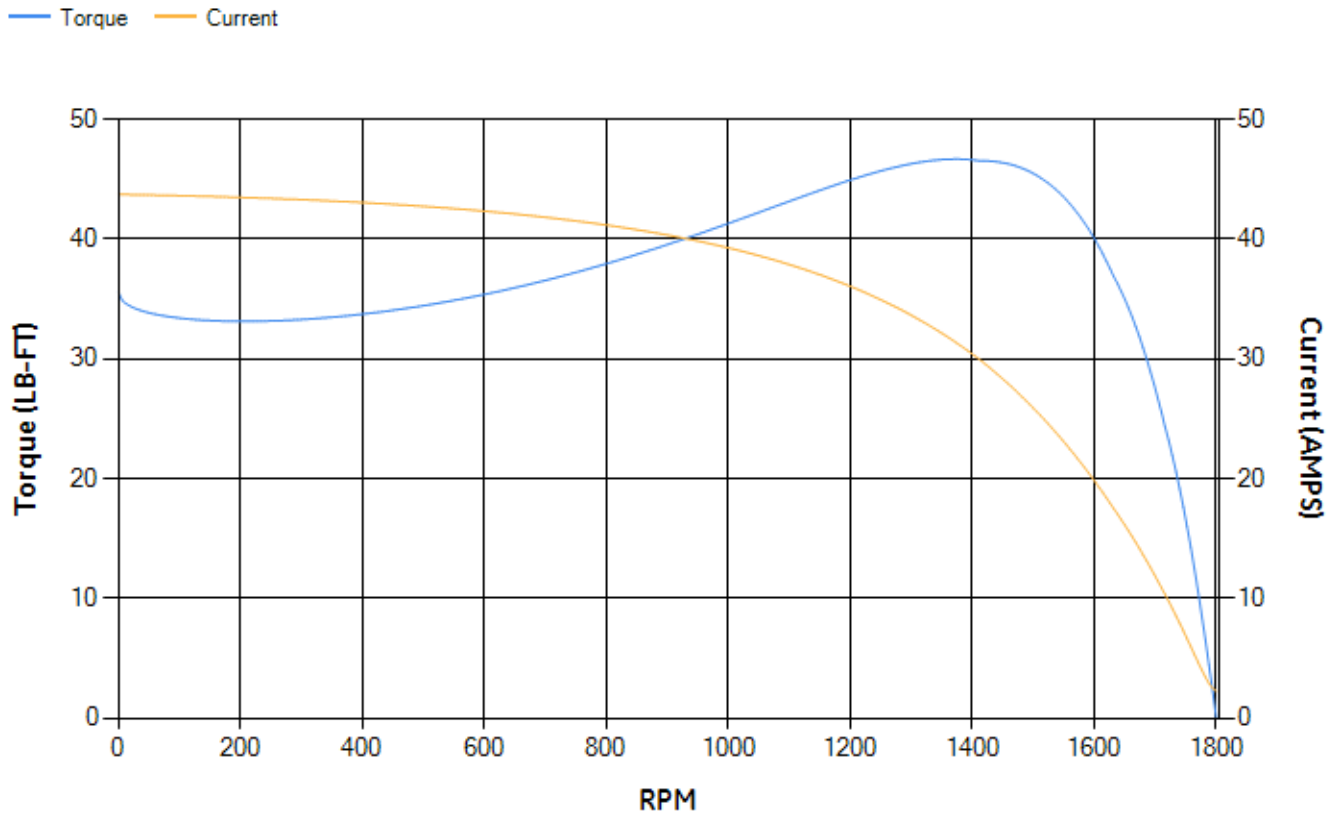
LOAD %	125.0	115.0	100.0	75.0	50.0	25.0	0.0
% EFF	87.37	88.21	89.48	90.52	90.7	87.53	0.00
% PF	84.51	84.22	83.22	79.39	70.31	48.98	5.91
AMPS	7.92	7.24	6.28	4.88	3.67	2.73	2.26

TORQ(FL)#FT	15.08	TORQ(LR)%FL	235.71	TORQ(BD)%FL	304.38
AMPS(LR)	43.73	PF AT START	0.45		

This motor is capable of two cold or one hot start with a maximum connected load inertia of 112 Lb-Ft Sq (4.72 Kg-meter Sq)at 100% voltage, where the load torque varies with the square of the speed. Acceleration time with maximum inertia and the above load type is 19 seconds. Safe stall time at 100% voltage is 58 seconds cold, 33 seconds hot. Rotor inertia is 0.46 Lb-Ft Sq (0.02 Kg-meter Sq).

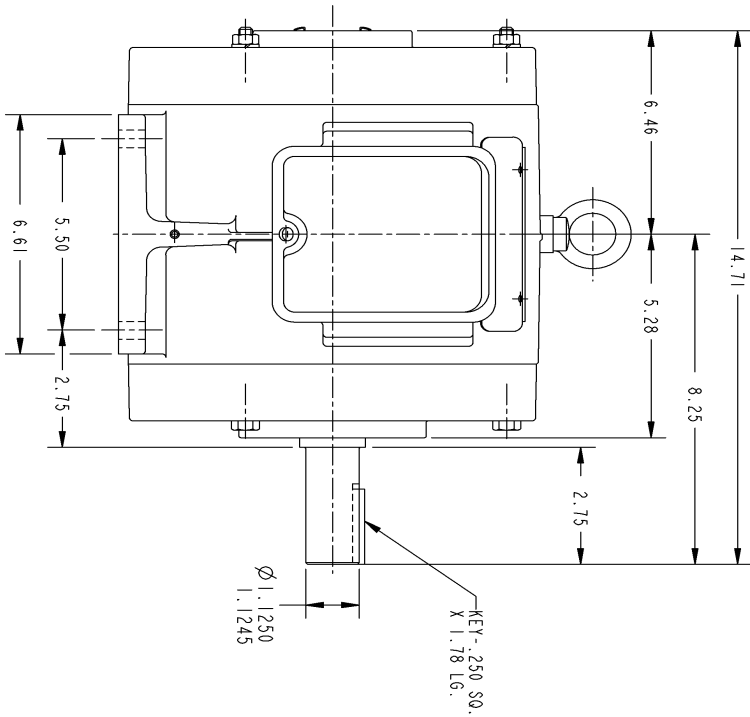
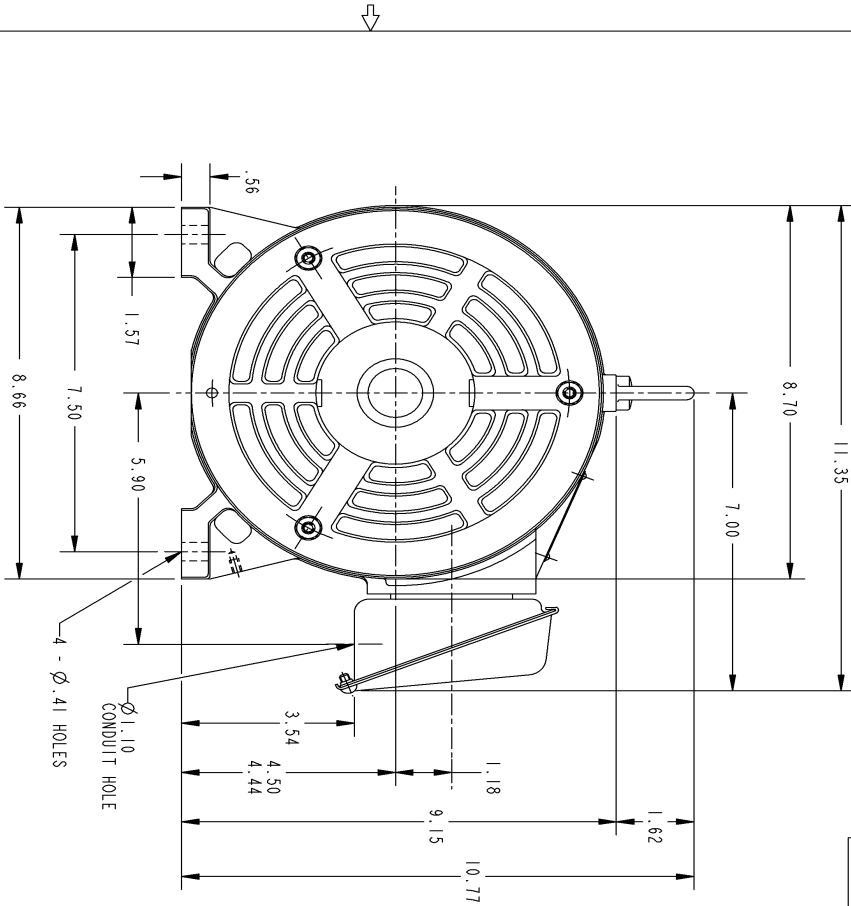
Open Circuit A-C:	0.226	Short Circuit D-C:	0.008
Short Circuit A-C:	0.01	X/R Ratio:	3.019
Stator Slots:	36	Rotor Slots:	28

**Speed Torque Current Curve (First Connection, First Speed)**



NAME:501452442 OBJECT:358B6214AB DATE:24-May-07 23:02:33

Marks:



THIS DRAWING IS THE PROPERTY OF GEORGE FISHER COMPANY (GFC) AND CONTAINS PROPRIETARY INFORMATION. THIS DRAWING IS LOANED TO THE USER FOR THE USER'S INFORMATION ONLY. THE USER SHALL BE RESPONSIBLE FOR THE PROTECTION OF THIS DRAWING AND SHALL NOT REPRODUCE, COPY, OR TRANSMIT THIS DRAWING IN ANY MANNER WITHOUT THE WRITTEN PERMISSION OF GEORGE FISHER COMPANY. THIS DRAWING SHALL BE RETURNED TO GEORGE FISHER COMPANY UPON REQUEST.

SIZE: DRAWING FOR B 358B6214AB

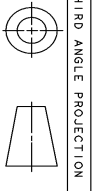
SHEET 1 REV 1

REVISIONS

REV.	DESCRIPTION	DATE	APPROVED
1	ISAAC 07-0770	05/02/07	R. KOHNE

NOTES :

1. CONDUIT BOX MAY BE PLACED WITH THE ENTRANCE DOWN, UP OR ON EITHER SIDE.
2. F-1 ASM AS SHOWN.
3. F-2 ASM - HAS CONDUIT BOX ON OPPOSITE SIDE.



THIRD ANGLE PROJECTION

UNLESS OTHERWISE SPECIFIED:		SIGNATURES		DATE	
DIMENSIONS ARE IN INCHES		DRAWN		P. RAJU 03/28/03	
TOLERANCES ARE:		CHECKED		PABHAKAR 03/27/03	
2 PL DECIMALS ±		ENGR			
3 PL DECIMALS ±		ISSUED		PABHAKAR 03/27/03	
ANGLES ± 1°		APPLIED PRACTICES			
MATERIAL:		SIZE/DRAWING		REV.	
		B 358B6214AB		1	
		SCALE: DRAWING SCALE		SHEET 1 OF 1	

**GE Industrial Systems**  
**GENERAL ELECTRIC COMPANY**  
 Fort Wayne, Indiana

**OUTLINE**  
**184T - OPEN DRIP PROOF**

DISTRIBUTION:

Marks:

**Connection Diagram**  
**GEM2034E-FIG3**

