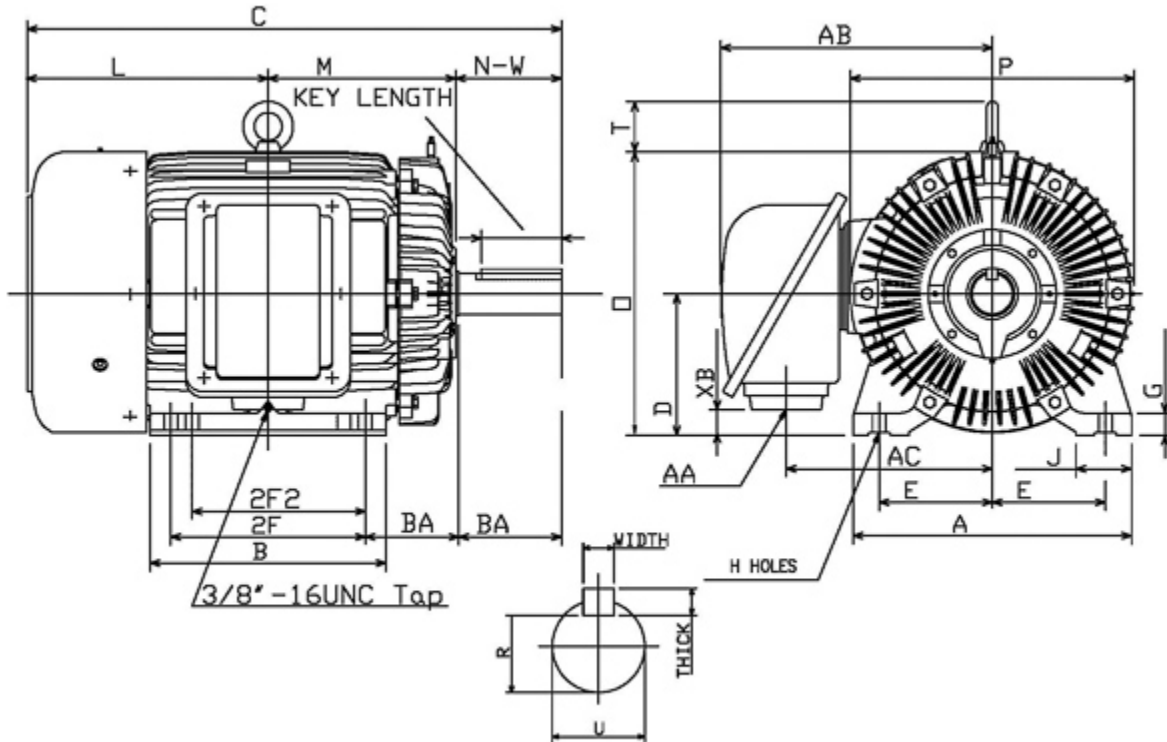


Dimensional Drawing

| Catalogue | Model | HP | Pole | kW | Rating | Voltage | Hz | RPM |
|--------------|--------|-----|------|----|------------|---------|----|------|
| APH10025-841 | AEHH8B | 100 | 2 | 75 | Continuous | 575 V | 60 | 3600 |



| Frame Size | Mounting | | | | | A | B | C | CD | D | |
|------------------|----------|-------|----------|---------|--------------------|-------------|------------|-------|-----------------|------------|--------------|
| | E | 2F | 2F2 | H | BA | | | | | | |
| 405TS | 8 | 13.75 | 12.25 | 0.81 | 6.62 | 19.68 | 16.73 | 34.99 | | 10 | |
| G | J | K | L | M | O | P | T | Key | | | Keyseat R |
| | | | | | | | | Width | Thick | Length | |
| 1.57 | 3.94 | | 17.24 | 13.27 | 20 | 20.08 | 3.54 | 0.5 | 0.5 | 2.78 | 1.845 |
| Terminal Housing | | | Aux Box | | | C/D Flange | | | | | |
| AA | AB | AC | XB | AE | AX | BB | AH | AK | BD | AJ | BF |
| NPT3" | 19.41 | 14.76 | 1.81 | | | | | | | | |
| Shaft Extension | | | Bearings | | Approx. Weight Lbs | SPL dBA/3ft | Ins. Class | S.F. | Drive Method | Dimensions | |
| N-W | U | V | DE | NDE | | | | | | | |
| 4.25 | 2.125 | 4.13 | 6313C3 | 6313ZC3 | 1225 | 85 | F | 1.15 | Direct Coupling | Inches | |

Technical Data Sheet

Motor Type: AEHH8B

Catalogue No: APH10025-841

Nameplate Information

| | | | | | | |
|-----------|------------|----------------|-------------|-------------|--------------|----------------|
| HP | Pole | RPM | Frame | Voltage | Hz | Phase |
| 100 | 2 | 3560 | 405TS | 575 | 60 | 3 |
| Enclosure | Ins. Class | Service Factor | Time Rating | NEMA Design | Rated Amb. | Rated Altitude |
| TEFC | F | 1.15 | Continuous | B | -40 to 40 °C | <3300 ft |

Typical Performance

| Efficiency (%) | | | | Power Factor (%) | | |
|-------------------|-----------------------------|---------------------------------|--------------------------------------|---------------------|-----------|--------------------------------|
| Full Load | | 3/4 Load | 1/2 Load | Full Load | 3/4 Load | 1/2 Load |
| Nom. | Min. | | | | | |
| 95.4 | 94.5 | 95.8 | 95.4 | 92.0 | 91.5 | 88.5 |
| Torque | | | | Current (A) | | |
| Full Load (lb-ft) | Locked Rotor (% FLT) | Pull Up (% FLT) | Break Down (% FLT) | No Load | Full Load | Locked Rotor |
| 147.50 | 140 | 125 | 270 | 15.7 | 85.4 | 580 |
| NEMA KVA Code | Inertia (WR ²) | | | Safe Stall Time (s) | | Noise Level Sound Press. dB(A) |
| | Rotor (lb-ft ²) | NEMA Load (lb-ft ²) | Max. Allowable (lb-ft ²) | Cold | Hot | |
| G | 10.773 | 92 | 213 | 17 | 12 | 85 |

VFD Duty Information

| Speed Range | | | VFD | | S.F. |
|-----------------|-----------------|----------------|---------|--------------|----------|
| Constant Torque | Variable Torque | Constant Power | Carrier | Type | |
| 6-60Hz | 3-60Hz | 60-60Hz | ≤ 5 kHz | VPWM or CPWM | 1.0 Only |

Additional Information

| Bearings | | Approx. Weight |
|----------|---------|----------------|
| DE | NDE | lbs |
| 6313C3 | 6313ZC3 | 1225 |

Hazardous Locations Information

| CSA Certified | |
|--|----------|
| Class I, Div 2, Groups B, C & D Class I, Zone 2, Groups IIB+H2, IIB & IIA | |
| Temp Code (Sinewave / VFD) | T3C / T3 |