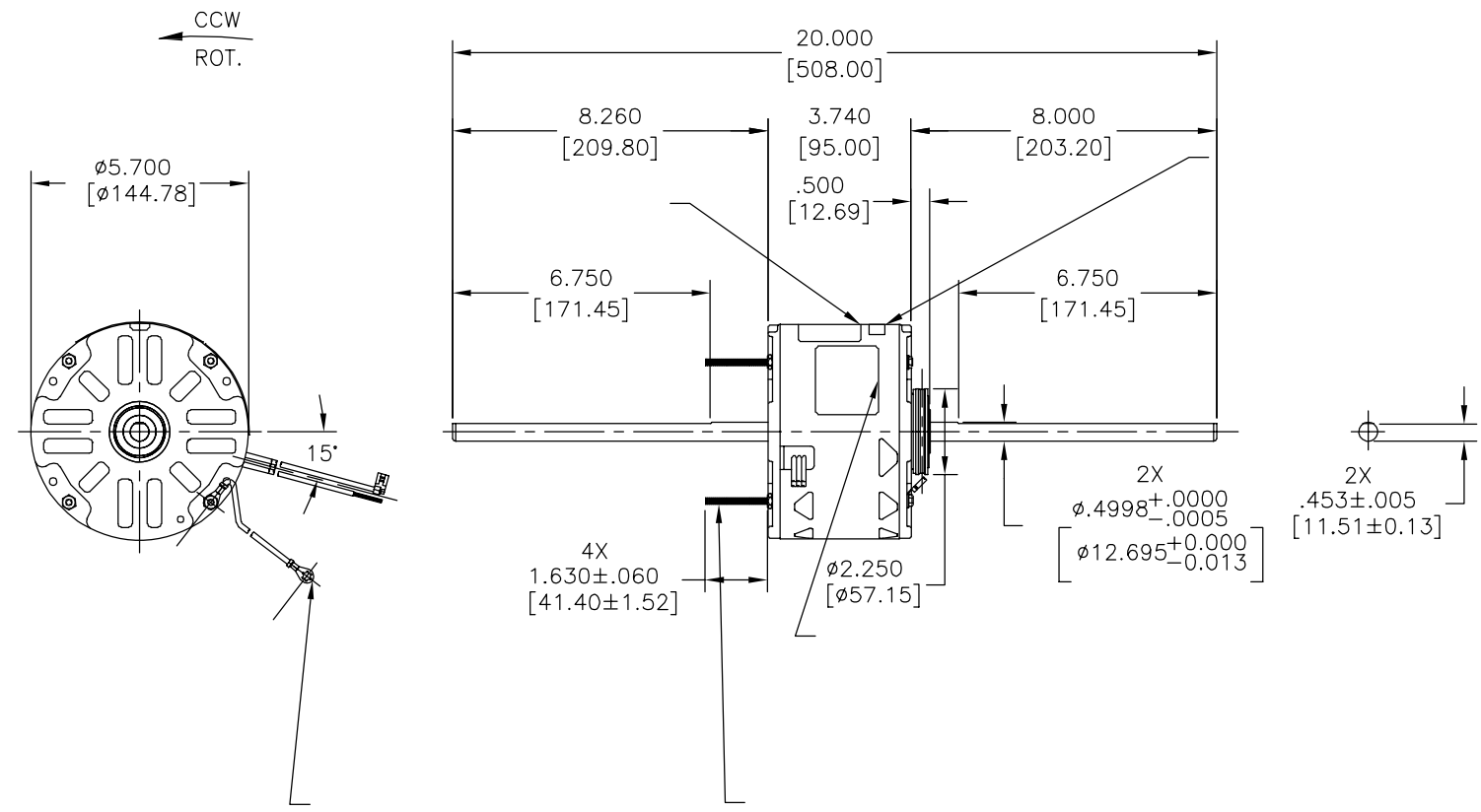
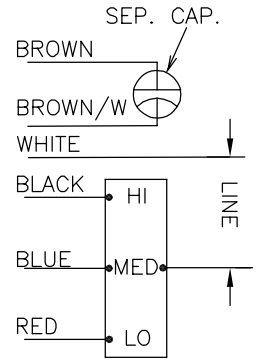


版本	ECO	编制	日期	批准	日期
G	ECO-0042064	A.RODRIGUEZ	12-18-2013	T.REYES	12-18-2013



MODEL: F48SD6L7
 CUST. P/N: []
 HP: 1/6
 ROT: CCWLE
 RPM: 1075/3 SPD.
 TYPE: UF
 FRAME: 48Y
 VOLTS: 208-230
 PH: 1
 AMPS: 0.96 (1.2 MAX.)
 HZ: 60
 INS: B
 AMB: 40 °C
 DUTY: AIR OVER
 CAP.: 5 MFD/370V
 ENCL: SEMI-ENCL.
 CSA LOGO
 UL LOGO
 THERMALLY PROTECTED



614131-106

	29/31[737/787]	
	35/37[889/940]	
	35/37[889/940]	
	35/37[889/940]	
	35/37[889/940]	
	35/37[889/940]	
	35/37[889/940]	

DISTRIBUTION SERVICES

- 形位公差
- 平面度
- 直线度
- ∠ 倾斜度
- ⊥ 垂直度
- // 平行度
- 圆度
- ⊘ 圆柱度
- ⊙ 圆跳动
- △ 面轮廓度
- ∩ 线轮廓度
- ↗ 圆跳动
- ⊕ 位置度
- ⊙ 同轴度
- ≡ 对称度

ASME Y14.5M 1994

REGAL-BELOIT CORPORATION (RBC) 在个别领域为客户提供技术支持。鉴于RBC未收到任何涉及电机使用和应用环境的数据，电机的适用性由客户自己决定。

未注公差尺寸仅供参考。

绘图: MC NAMEE 04-14-1992
 批准: M. FRE 04-22-1992
 第三角投影
 机密: 本图纸及相关信息所有权归REGAL-BELOIT CORPORATION。未经REGAL-BELOIT CORPORATION书面授权, 不得泄露、复制或传播作其他用途。—版权所有



名称: MODEL-PFHP-48FR OUTLINE
 图幅: C 图号: 11773-002
 比例: NONE 页号: 1

REV	ECO	REV BY	DATE	APPD	DATE
G	ECO-0042064	A.RODRIGUEZ	12-18-2013	T.REYES	12-18-2013

GENERAL INFORMATION:

SHAFT RUNOUT: .001[.03] T.I.R. PER INCH LENGTH OF EXTENSION

END PLAY: .010[.25] TO .063[1.60]

BEARINGS: SLEEVE

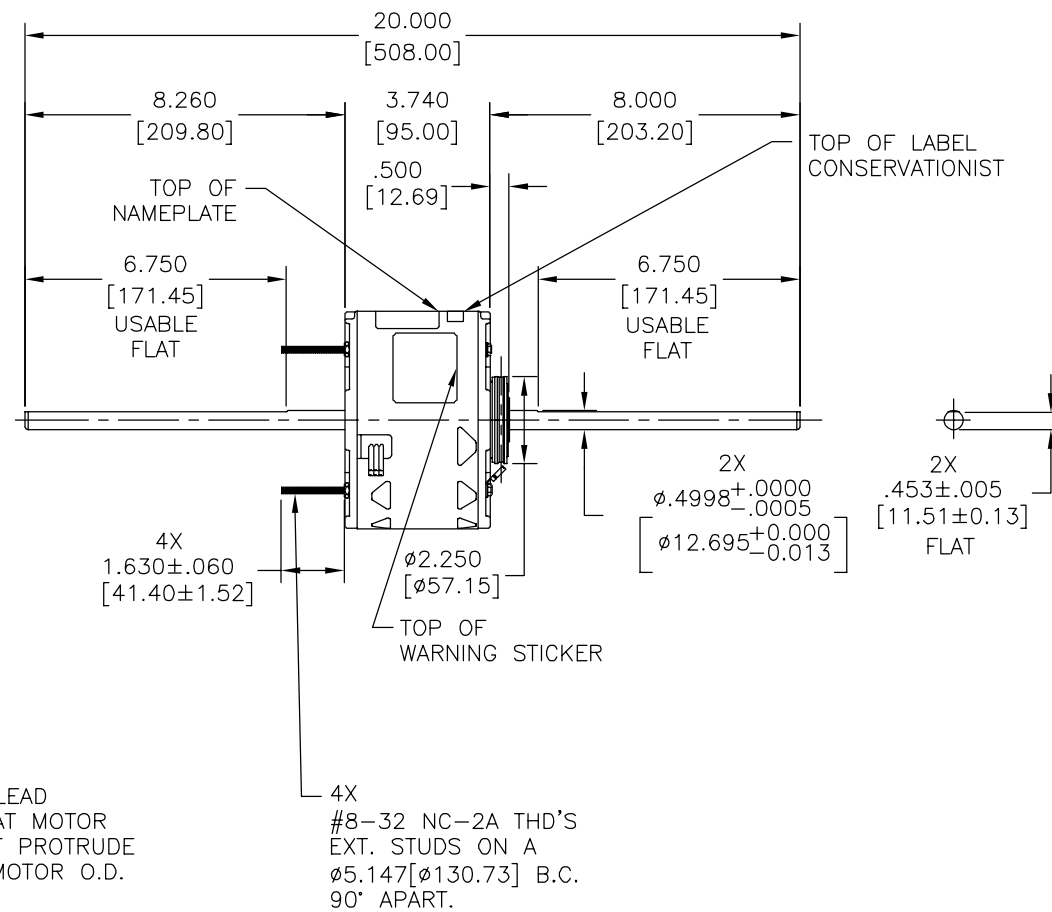
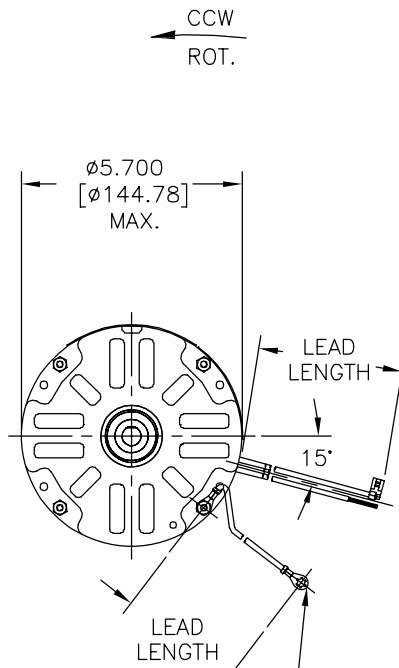
MOUNTING POSITION: HORIZONTAL

ELECTRICAL DATA:

OVERLOAD PROTECTOR: AUTOMATIC RESET (T.I. 7AM 036)

LEADS: NO. 18 GA., .06[1.5] THK. 105°C PVC INSUL.

GROUND LEAD: NO. 18 GA., .03[.8] THK., (GREEN) INSUL.



GROUND LEAD TERMINAL AT MOTOR MUST NOT PROTRUDE BEYOND MOTOR O.D.

4X #8-32 NC-2A THD'S EXT. STUDS ON A Ø5.147[Ø130.73] B.C. 90° APART.

- NOTES:
- 615059-001 RESILIENT MOUNTING KIT TO BE PACKED WITH MOTOR
 - DISTRIBUTION PART NUMBER: RA1016 GRAINGER PART NUMBER: 4MA55

MAIN FRAME - OLE	SEMI-ENCLOSED
END FRAME - OLE	OPEN
MAIN FRAME - LE	SEMI-ENCLOSED
END FRAME - LE	OPEN

CUST. DISTRIBUTION SERVICES

GREEN (GRD)	29/31[737/787]	#10 EYELET
BROWN/WHITE	35/37[889/940]	.25[6.4] FLAG
BROWN	35/37[889/940]	.25[6.4] FLAG
WHITE	35/37[889/940]	.60[15.2] SKIN
BLACK	35/37[889/940]	.60[15.2] SKIN
BLUE	35/37[889/940]	.60[15.2] SKIN
RED	35/37[889/940]	.60[15.2] SKIN

COLOR	LENGTH	TERMINAL OR STRIP LENGTH
GREEN (GRD)	29/31[737/787]	#10 EYELET
BROWN/WHITE	35/37[889/940]	.25[6.4] FLAG
BROWN	35/37[889/940]	.25[6.4] FLAG
WHITE	35/37[889/940]	.60[15.2] SKIN
BLACK	35/37[889/940]	.60[15.2] SKIN
BLUE	35/37[889/940]	.60[15.2] SKIN
RED	35/37[889/940]	.60[15.2] SKIN

REGAL-BELOIT CORPORATION (RBC) PROVIDES TECHNICAL ASSISTANCE TO OUR CUSTOMERS IN SEVERAL AREAS. SINCE RBC DOES NOT RECEIVE ALL DATA CONCERNING THE USE AND APPLICATION OF THE MOTOR, THE SUITABILITY OF THE MOTOR FOR THE APPLICATION MUST BE DETERMINED BY THE CUSTOMER.

DIMENSIONS WITHOUT TOLERANCES ARE FOR REFERENCE ONLY.

NAMEPLATE DATA:

MODEL: F48SD6L7
 CUST. P/N: []
 HP: 1/6
 ROT: CCWLE
 RPM: 1075/3 SPD.
 TYPE: UF
 FRAME: 48Y
 VOLTS: 208-230
 PH: 1
 AMPS: 0.96 (1.2 MAX.)
 HZ: 60
 INS: B
 AMB: 40 °C
 DUTY: AIR OVER
 CAP.: 5 MFD/370V
 ENCL: SEMI-ENCL.
 CSA LOGO
 UL LOGO
 THERMALLY PROTECTED

EXTERNAL CONNECTION DIAGRAM

614131-106

PERFORMANCE CURVE NO.	TORQUE @1075 RPM (25°C)	APPROVED SAMPLE	UL COMPONENT FILE	CSA FILE
C23105	10.4 OZ. FT.	EX11274	E46412	LR43341

GEOMETRIC CHARACTERISTICS & SYMBOLS

- FLATNESS
- STRAIGHTNESS
- ANGULARITY
- PERPENDICULARITY (SQUARENESS)
- PARALLELISM
- ROUNDNESS (CIRCULARITY)
- CYLINDRICITY
- PROFILE OF ANY SURFACE
- PROFILE OF ANY LINE
- RUNOUT
- TRUE POSITION
- CONCENTRICITY
- SYMMETRY

ASME Y14.5M 1994

DR BY: MC NAMEE 04-14-1992

APPD: M. FRE 04-22-1992

THIRD ANGLE PROJECTION

EDS DATE 11-11-2011
 FORMAT REV H

CONFIDENTIAL: THIS DRAWING AND ITS INFORMATION ARE THE EXCLUSIVE AND CONFIDENTIAL PROPERTY OF REGAL-BELOIT CORPORATION AND ARE NOT TO BE DISCLOSED, DUPLICATED, DISTRIBUTED OR OTHERWISE USED WITHOUT THE WRITTEN CONSENT OF REGAL-BELOIT CORPORATION. -ALL RIGHTS RESERVED.

REGAL REGAL-BELOIT CORPORATION

DESCRIPTION: MODEL-PFHP-48FR OUTLINE

SIZE: C DWG NO: 11773-002

SCALE: NONE SHEET: 1

4

3

2

1

REVISION:	ECO	REVISADO POR:	FECHA:	APROBADO POR:	FECHA:
G	ECO-0042064	A.RODRIGUEZ	12-18-2013	T.REYES	12-18-2013

INFORMACION GENERAL:

OSCILACION DE FLECHA: .001[.03] L.T.I. LONG. DE EXTENSION POR PULGADA

JUEGO AXIAL: .010[.25] A .063[1.60]

BALEROS: MANGA

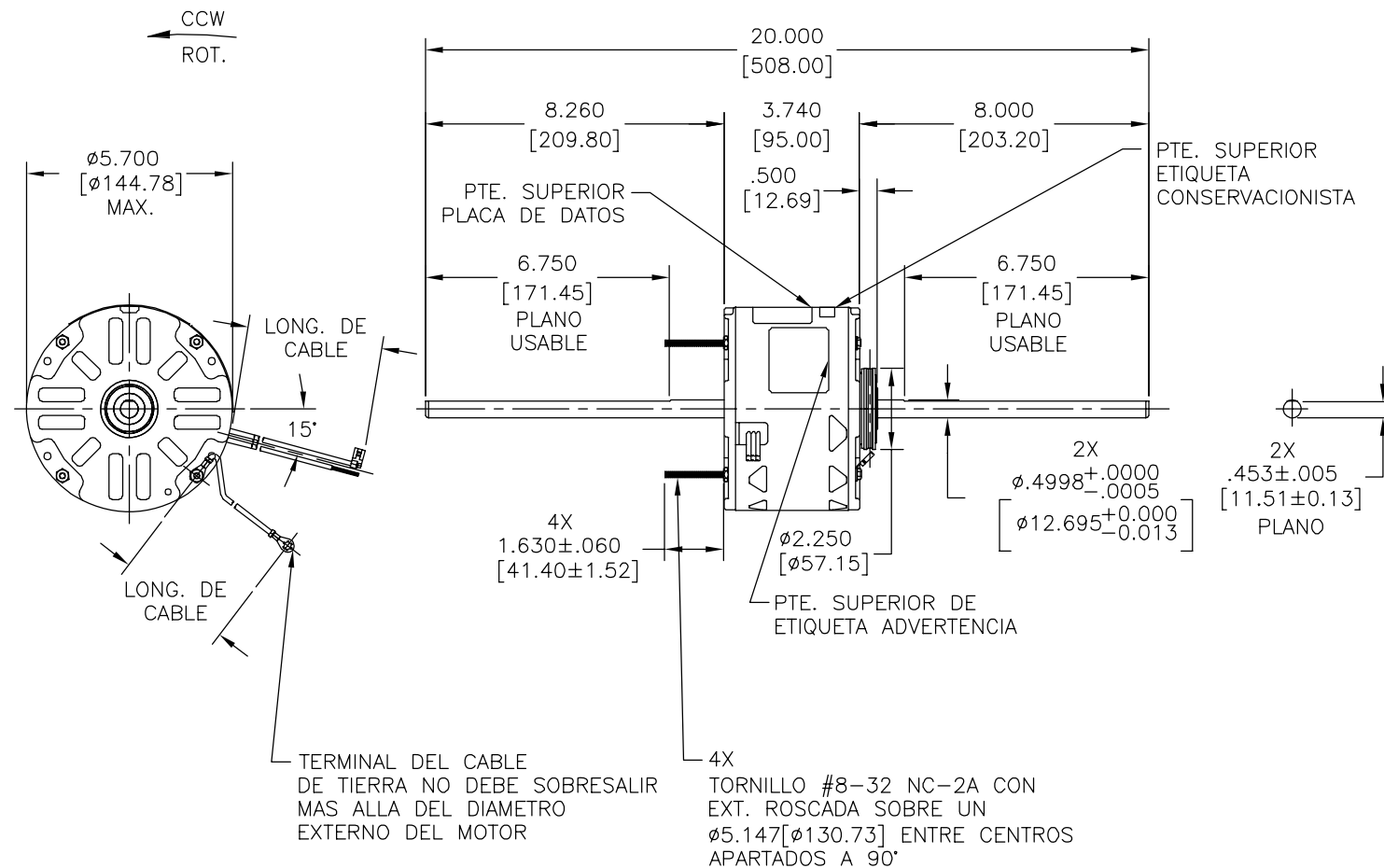
POSICION DEL MONTAJE: HORIZONTAL

INFORMACION ELECTRICA:

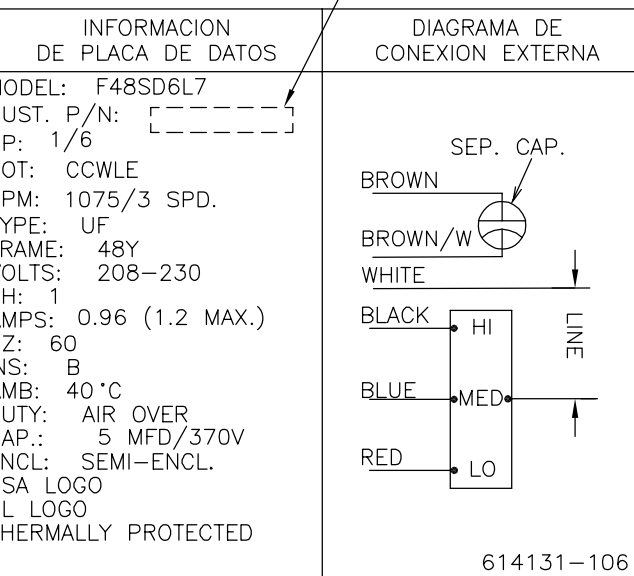
SOBRECARGA DEL PROTECTOR: REINICIO AUTOMATICO (T.I. 7AM 036)

CABLES: CAL. NO. 18, .06[1.5] ESP. 105°C PVC AISLAM.

CABLE DE TIERRA: CAL. NO. 18, .03[.8] ESP. (VERDE) AISLAM.



VER NOTA 2



VERDE (TIERRA)	29/31[737/787]	#10 OJAL
CAFE/BLANCO	35/37[889/940]	.25[6.4] BANDERA
CAFE	35/37[889/940]	.25[6.4] BANDERA
BLANCO	35/37[889/940]	.60[15.2] DESFORRE
NEGRO	35/37[889/940]	.60[15.2] DESFORRE
AZUL	35/37[889/940]	.60[15.2] DESFORRE
ROJO	35/37[889/940]	.60[15.2] DESFORRE

- NOTAS:
- PAQUETE DE MONTAJE AJUSTABLE 615059-001 ES EMPACADO CON CADA MOTOR
 - NO. DE PARTE DE DISTRIBUCION: RA1016
NO. DE PARTE GRAINGER: 4MA55

CARCAZA PPAL.- OLE	SEMI-CERRADO
TAPA FINAL - OLE	ABIERTO
CARCAZA PPAL.- LE	SEMI-CERRADO
TAPA FINAL- LE	ABIERTO

TIPO DE MOTOR

CLIENTE DISTRIBUTION SERVICES

COLOR	LONGITUD	TERMINAL O LONG. DE DESFORRE	INFORMACION DE CABLES			
			#ARCHIVO	GUIA #	#ARCHIVO	GUIA #
			E46412	PRGY2	LR43341	260-0-0

CURVA DE FUNCIONAM.	TORSION @1075 RPM (25°C)	MUESTRA APROBADA
C23105	10.4 OZ. FT.	EX11274

COMPONENTE UL CSA

REGAL-BELOIT CORPORATION (RBC) PROVEE ASISTENCIA TECNICA A NUESTROS CLIENTES EN VARIAS AREAS. DESDE QUE RBC NO RECIBE TODOS LOS DATOS EN RELACION AL USO Y A LA APLICACION DEL MOTOR, LA APLICACION ADECUADA DEL MOTOR DEBE SER DETERMINADA POR EL CLIENTE.

DIMENSIONES SIN TOLERANCIA SON DE REFERENCIA SOLAMENTE

ASME Y14.5M 1994

REGAL-BELOIT CORPORATION (RBC) PROVEE ASISTENCIA TECNICA A NUESTROS CLIENTES EN VARIAS AREAS. DESDE QUE RBC NO RECIBE TODOS LOS DATOS EN RELACION AL USO Y A LA APLICACION DEL MOTOR, LA APLICACION ADECUADA DEL MOTOR DEBE SER DETERMINADA POR EL CLIENTE.

DIMENSIONES SIN TOLERANCIA SON DE REFERENCIA SOLAMENTE

ASME Y14.5M 1994

DIBUJADO POR: MC NAMEE 04-14-1992

APROBADO POR: M. FRE 04-22-1992

TERCER ANGULO DE PROYECCION

FECHA EDS: 11-11-2011

REV. FORMATO: H

CONFIDENCIAL: ESTE DIBUJO Y SU INFORMACION SON PROPIEDAD DE USO EXCLUSIVO Y CONFIDENCIAL DE REGAL-BELOIT CORPORATION. Y NO DEBERAN SER REVELADOS, DUPLICADOS, DISTRIBUIDOS O USARSE DE OTRA MANERA SIN EL CONSENTIMIENTO ESCRITO DE REGAL-BELOIT CORPORATION. -TODOS LOS DERECHOS RESERVADOS.

REGAL REGAL-BELOIT CORPORATION

DESCRIPCION: MODEL-PFHP-48FR OUTLINE

TAMAÑO: C NUMERO DE DIBUJO: 11773-002

ESCALA: NONE HOJA: 1

4

3

2

1