

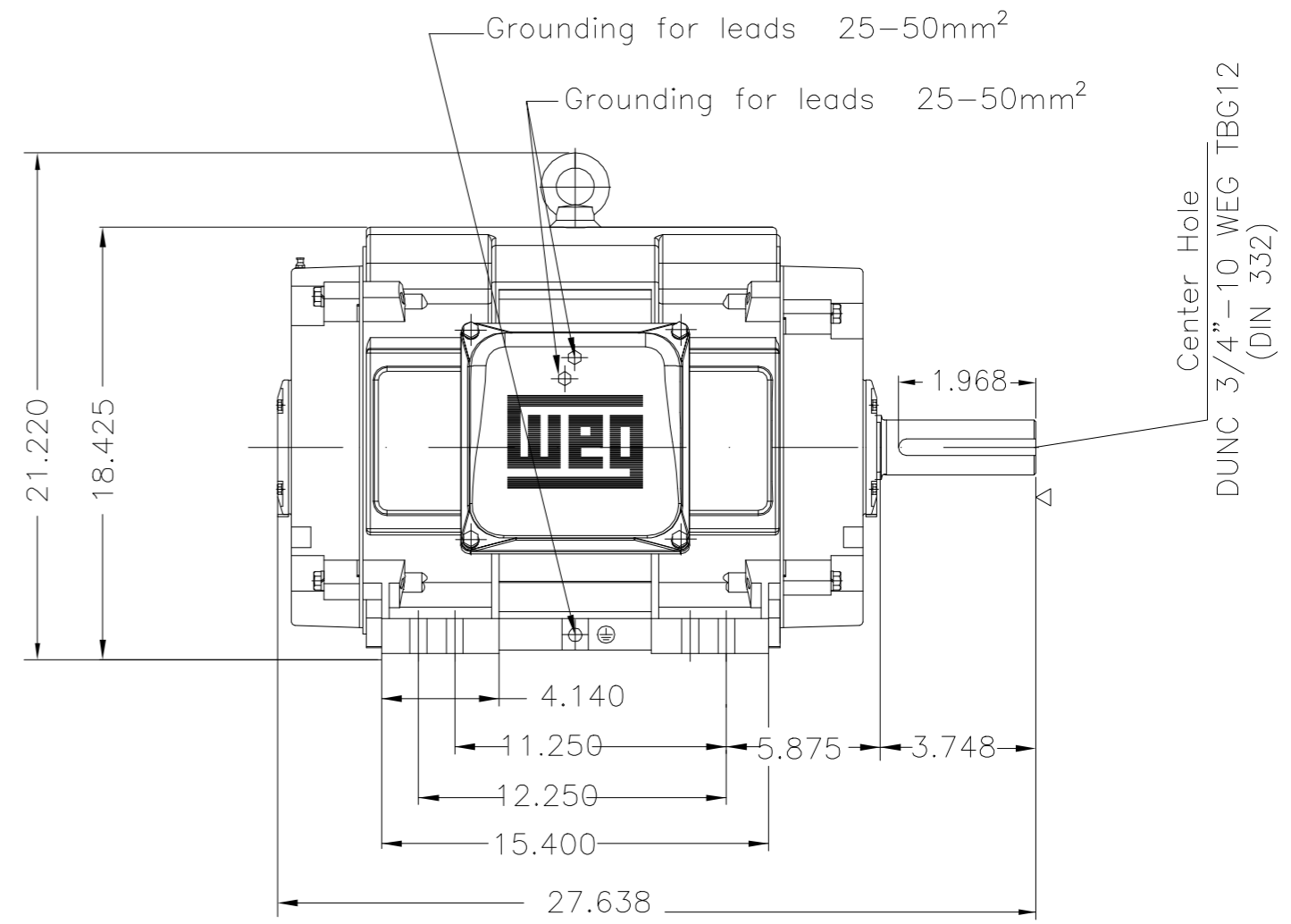
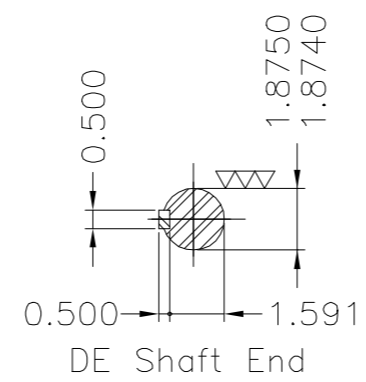
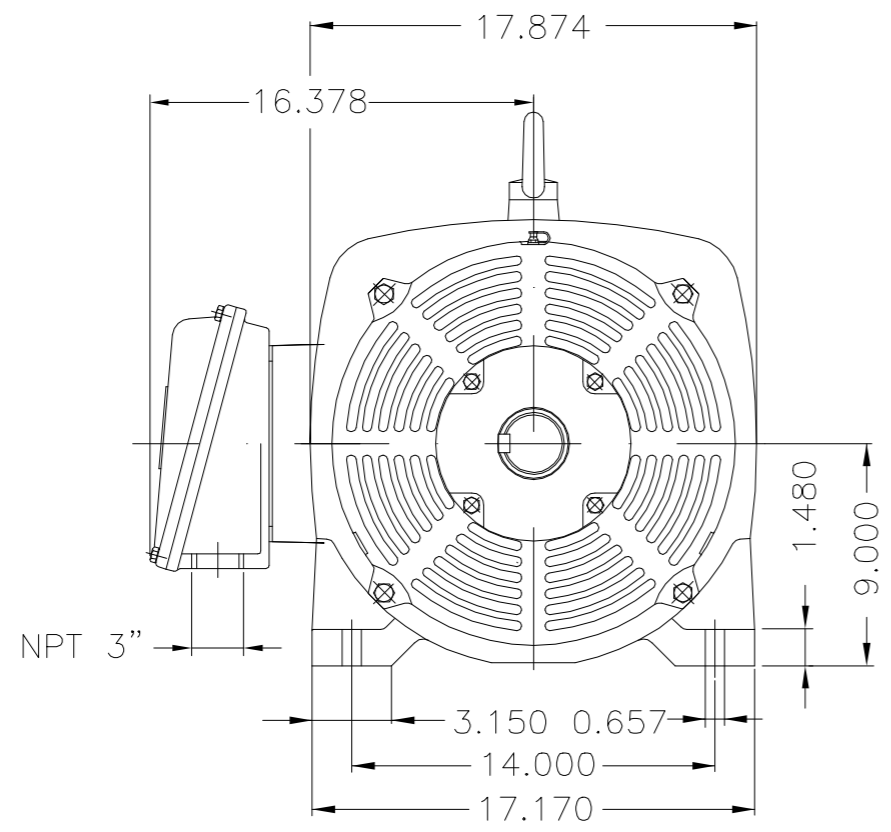
EIXO/SHAFT	
PADRÃO/STANDARD	X
OPCIONAL/OPTIONAL	
ESPECIAL/SPECIAL	

Dimensões em polegadas
Dimensions in inches

CERTIFIED WEG MOTORES
Certified document.
Not subject to changes.

THIS IS AN UPDATED REVISION, THE PREVIOUS ONE MUST BE DISREGARDED.

A
B
C
D
E



- Kit porta escova de aterramento AEGIS SGR-79.9-3MFH / Brush holder kit AEGIS SGR-79.9-3MFH
- Anel interno especial de fixação do rolamento dianteiro / Special internal fastening bearing cap of DE bearing
- Plano de pintura 203A / Painting plan 203A
- Forma construtiva NEMA F-1 / Mounting NEMA F-1
- Forma construtiva B3D / Mounting B3R(D)

WEG ELECTRIC CORPORATION - WEC

500000879435	DOCUMENTO NOVO	SCARMAGNANI	DAYANAR	14.04.2014	00		
ECM	LOC	SUMMARY OF MODIFICATIONS	EXECUTED	CHECKED	RELEASED	DATE	VER
EXECUTED	SCARMAGNANI	THREE PHASE NEMA P. EFF MOTOR				10002814028	
CHECKED		FRAME 364/5TS IP23				000	00
RELEASED	DAYANAR						
REL DT	14.04.2014	WMO	JARAGUA DO SUL	ENGENHARIA DE PRODUTO		SHEET	1 / 1

LOTE PILOTO / PILOT BATCH
75 HP 02 Poles 60Hz 413396037/0 MEC



UNCONTROLLED COPY

RELEASED

ZME A3